



**JOHN DEERE**

**TY26311 PARTS LIST**  
**20 Ton Air/Manual Long Chassis Jack**  
**(To order parts please phone 1-888-332-6419)**

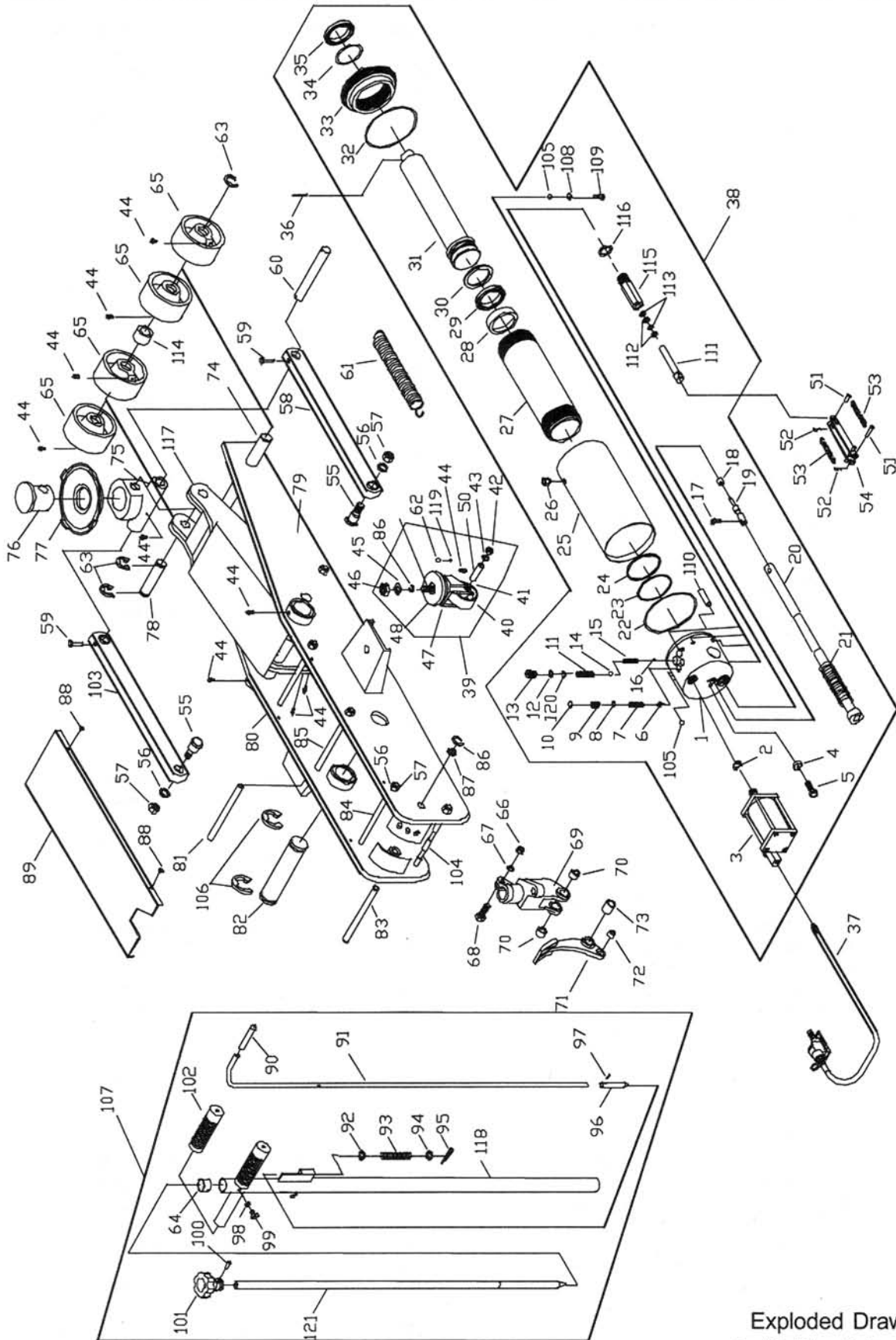
ITEM	PART NO.	DESCRIPTION	QTY	ITEM	PART NO.	DESCRIPTION	QTY
1	G55-6-1601-107	Base	1	61	521-2-0370-104	Extention Spring	2
2*		Copper Gasket	1	62	601-7-0012-000	Steel Ball	42
3	G55-3-2000-108	Air Pump Assy.	1	63	677-5-0240-018	"E" Clip	4
4	486-6-1302-100	Washer	1	64	G55-6-2102-104	Handle Collar	1
5	653-1-0060-072	Screw	1	65	500-1-1500-309	Front Wheel	4
6	414-6-1216-107	Top Pin	2	66	651-2-0100-007	Nut	1
7	512-2-0067-010	Soft Spring	2	67	605-3-0100-203	Spring Washer	1
8*		O-ring	2	68	653-1-0100-078	Screw	1
9	414-6-1215-307	Safety Valve Screw	2	69	G55-6-1301-105	Handle Fork	1
10	509-9-0145-109	Safety Valve Cover	2	70	421-6-2102-104	Handle Fork Collar	2
11	512-2-0090-107	Compression Spring	2	71	421-6-9004-200	Foot Pedal	1
12*		Back-up Ring	2	72	421-6-2404-100	Foot Pedal Collar	1
13	G57-4-1212-108	Screw	2	73	421-6-2403-108	Foot Pedal Collar	1
14	601-7-0014-013	Steel Ball	2	74	G55-6-5102-109	Front Wheel Rod	1
15	512-2-0067-102	Compression Spring	2	75	G55-6-4301-100	Saddle Fork	1
16	601-7-0009-001	Steel Ball	2	76	G55-6-4306-100	Saddle Rod	1
17	649-1-0050-019	Socket Head Bolt	1	77	G55-6-4201-106	Saddle	1
18*		Oil Seal	1	78	G55-6-4303-104	Lift Arm Axle	1
19	G13-6-1701-105	Release Valve	1	79	G55-3-3100-107	Left Side Plate	1
20	G55-3-2600-102	U-join Assy.	1	80	G55-3-3200-101	Right Side Plate	1
21	524-2-0240-111	Compression Spring	1	81	G55-6-3115-108	Rod Collar	1
22*		O-ring	1	82	G55-6-1607-109	Base Axle	1
23*		Back-up Ring	1	83	G55-6-1354-106	Pedal Axle	1
24*		O-ring	1	84	G55-6-3102-109	Tie Rod	3
25	G55-6-1803-109	Reservoir	1	85	G55-6-3103-101	Tie Rod	1
26	G55-4-1900-105	Air Valve Assy.	1	86	667-5-0180-009	Snap Ring	4
27	G55-6-1807-107	Cylinder	1	87	511-3-0192-012	Washer	2
28	G55-6-1202-103	Guide Ring	1	88	620-1-0050-304	Screw	4
29*		U-cup	1	89	G55-6-4120-106	Cover	1
30*		Back-up Ring	1	90	421-6-2106-203	Grip	1
31	G55-6-1201-101	Piston Rod	1	91	G57-6-2401-108	Lock Bar	1
32*	511-7-1530-107	O-ring	1	92	A07-6-2204-102	Washer	1
33	G55-6-1801-105	Top Nut	1	93	524-2-0138-019	Compression Spring	1
34*		O-ring	1	94	511-3-0105-011	Washer	1
35*		Seal	1	95	602-4-0025-017	Cotter Pin	1
36	601-4-0050-019	Pin	1	96	421-6-2107-306	Pin Locking	1
37	507-9-0064-013	Air Ctrl Valve & Hose	1	97	601-4-0030-077	Pin	1
38	G55-1-1000-101	Hydraulic Unit	1	98	605-3-0050-103	Spring Washer	2
39	G55-4-5000-109	Caster Assy.	2	99	609-1-0050-10911	Screw	1
40	500-1-1000-208	Caster	1	100	601-4-0040-034	Pin	1
41	649-1-0127-009	Socket Head Bolt	2	101	421-6-2202-209	Knob	1
42	651-2-0127-016	Nut	2	102	506-9-0264-106	Handle Grip	2
43	605-3-0127-405	Spring Washer	2	103	G55-3-4306-102	R Parallel Link	1
44	601-8-0006-001	Grease Fitting Nipple	11	104	G55-6-3104-103	Tie Rod	1
45	605-3-0190-017	Spring Washer	2	105	601-7-0008-009	Steel Ball	7
46	651-2-0190-013	Nut	2	106	667-5-0450-002	Snap Ring	2
47	G55-3-5100-107	Wheel Chassis	2	107	G55-4-2300-106	Handle Assy.	1
48	G55-6-5002-105	Up-roller Cover	2	108	503-9-0067-103	Spring Cap	4
49	G55-6-5004-109	Caster Rod	2	109	644-1-0080-004	Socket Head Bolt	4
50	G55-6-5003-107	Caster Collar	2	110	532-8-0008-108	Filter	1
51	G58-6-1358-105	Pin	2	111	G55-6-1306-105	Pump Piston	1
52	513-5-0018-012	Retaining Pin	2	112*		O-ring	2
53	521-2-0220-077	Extention Spring	2	113*		Back-up Ring	2
54	G58-3-1309-104	Piston Link	1	114	G55-6-5103-101	Axle Collar	1
55	G55-6-3202-103	Stud Radius Link	2	115	G55-6-1401-109	Pump Cylinder	1
56	605-3-0180-014	Spring Washer	12	116*		Copper Gasket	1
57	651-2-0180-010	Nut	12	117	G55-3-4100-102	Lift Arm Assy.	1
58	G55-3-4305-100	Left Parallel Link	1	118	G55-3-2300-100	Handle	1
59	649-1-0060-020	Socket Head Bolt	2	119	601-7-0010-006	Steel Ball	20
60	G55-6-4304-106	Pin, Parallel Link	1	120*		O-ring	2
				121	G57-3-2500-102	Connection Bar	1
				(*)	G55-3-9900-109	Repair Kit	-



JOHN DEERE

# 20 Ton Air/Manual Long Chassis Jack

TY26311



Exploded Drawing  
2nd Edition © Jan. 2003