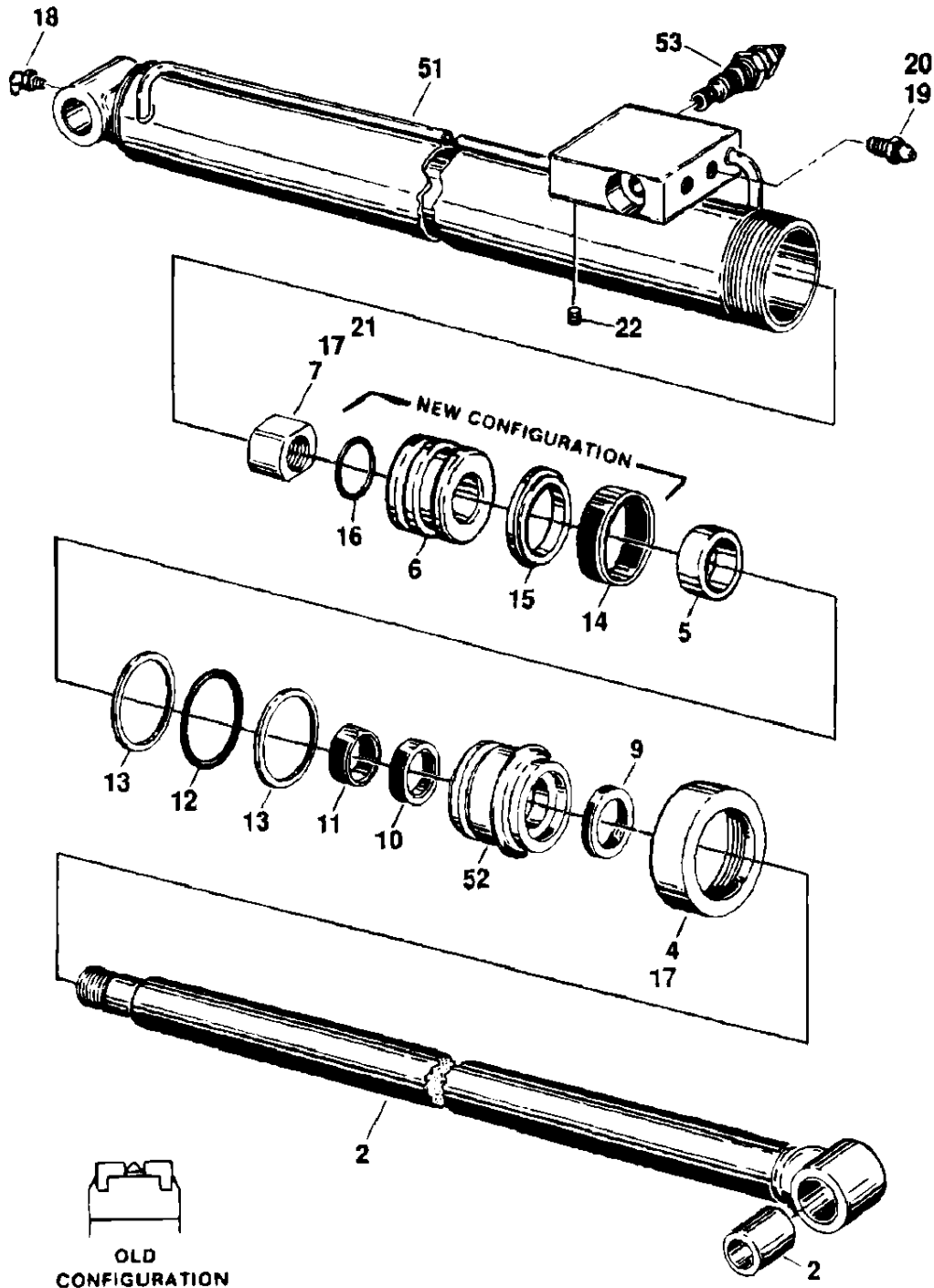




JLG::5-7 platform level cylinder assemblies (built prior to january 1987)

FIGURE 5-7. PLATFORM LEVEL CYLINDER ASSEMBLIES (BUILT PRIOR TO JANUARY 1987)



NOTE: THIS PISTON/SEAL CONFIGURATION NO LONGER AVAILABLE. IF EQUIPPED, NEW PISTON AND SEAL KIT MUST BE ORDERED FOR REPAIR.

5-18

3120241

Parts List



JLG::5-7 platform level cylinder assemblies (built prior to january 1987)

Ref #	Part #	Description	Qty	Rev
PLATFORM LEVEL CYLINDER ASSEMBLY (STANDARD PARTS)			Ref.	
1	Not Used			
2	1681331	Rod Assembly	1	
2	0960097	Bushing	1	
3	Not Used			
4	1120179	Retainer	1	
5	1440142	Spacer	1	
6		Piston Options:	1	
6	Not Available	Piston (Prior to Mid 1989) (See Note Illustration Page)		
6	3480120	Piston (Mid 1989 to Present)	1	
7	3300272	Nut, Hex (Replacement)	1	
7	3900170	Setscrew	1	
8	Not Used			
9	Kit	Seal, Wiper	1	
10	Kit	Seal, Rod	1	
11	Kit	Ring, Wear	1	
12	Kit	O-Ring	1	
13	Kit	Ring, Back-up	2	
14	Kit	Ring, Wear	1	
15	Kit	Seal, Piston	1	
16	Kit	O-Ring	1	
17	0100011	LOCTITE #242	A/R	
18	2160001	Fitting, Grease - 90deg	1	
19	2200213	Plug, Pipe - 3/8"	2	
20	0100020	Sealant, Pipe	A/R	
21	0100021	Primer, Locking	A/R	

Parts List



JLG::5-7 platform level cylinder assemblies (built prior to january 1987)

Ref #	Part #	Description	Qty	Rev
22	2200201	Plug, Pipe 1/8"	2	
PLATFORM LEVEL CYLINDER ASSEMBLIES (VARIABLE PARTS)			Ref.	
	1681518	PRIOR TO JULY 1985	Ref.	C
	1681548	JULY 1985 TO JANUARY 1987	Ref.	F
51		Barrel Assembly Options:	1	
51	1680722	Prior to July 1985	1	
51	1680751	July 1985 to January 1987	1	
52		Head Options:	1	
52	1680892	Prior to July 1985	1	
52	1681635	July 1985 to January 1987	1	
53		Valve, Cartridge Options:	A/R	
53	4640269	Valve, Cartridge (Prior to July 1985)	1	
53	4640495	Valve, Cartridge (July 1985 to January 1987)	2	
53	2900770	Seal Kit - 4640495 Valve (1 per cartridge)	2	
	2901119	Seal Kit - 1681518 Cylinder (Includes Items 9-16)	1	
	2901120	Seal Kit - 1681548 Cylinder (Includes Items 9-16)	1	