



## MODEL "RS"

### GENERAL MAINTENANCE and OPERATING INSTRUCTIONS

- A. Before using jack for the first time:
1. Squirt a small amount of hydraulic jack oil or light cylinder oil on the pump piston so it will run down inside the piston hole.
  2. Thoroughly lubricate all moving parts of your jack, including the surface of the ram.
  3. At regular intervals be sure to oil the main pin on the center pivot point of the lifting arm and the wheels.
- B. Turn handle to right to pump jack up. Turn left to release. When jack is not in use, handle and extension should be stored in tubes on either side of frame.
- C. Use only genuine Hein-Werner hydraulic jack oil in the unit of your jack. Never use alcohol or hydraulic brake fluid. With the saddle down and the jack tipped on end with oil reservoir up, the oil level should be up to filler plug hole. If bubbles are seen in the tube to the reservoir when the jack is in a raised position, you are probably low on oil.
- D. Use jack on hard, smooth and level surface. Never use in soft ground or mud. Always center the load on the saddle of your jack. Off center loads and loads lifted while jack is not sitting level may damage the jack. Your guarantee does not cover such careless use of the jack. **IMPORTANT** — When using jack under side of vehicle, **NEVER** put jack on an angle. Always

place jack straight under side of vehicle or load could tip off and damage jack. If jack seems to tip while lifting, reposition jack and start over.

- E. Keep your jack clean and well lubricated. Every part of your jack has been accurately machined and assembled, but frequent lubrication is necessary if you are to obtain the benefits of this quality workmanship. Raise the saddle to full height and oil the surface of the ram often, as well as all moving parts in the jack.

#### HOW TO LOCATE AND REMEDY TROUBLE

##### I. If Jack Will Not Raise or Lift Load

1. Check oil level — see General Instruction C.
2. Be certain release valve is tightly closed.
3. Flush the jack in the following manner: Close release valve and pull saddle up to its full height. Then open release valve and by stepping on saddle, force it to lower rapidly. Repeat this operation three or four times. This procedure will thoroughly flush the valves and assure complete distribution of oil. In most cases it will restore the jack to proper working order.

If jack still does not work properly, send jack to nearest Hein-Werner official service station shown on enclosed list.

Order parts from the nearest Hein-Werner Official Service Station. Always state both model and serial number.

USE ONLY GENUINE HEIN-WERNER HYDRAULIC JACK OIL IN ANY HEIN-WERNER JACK

HEIN-WERNER CORPORATION

PRINTED IN U.S.A.

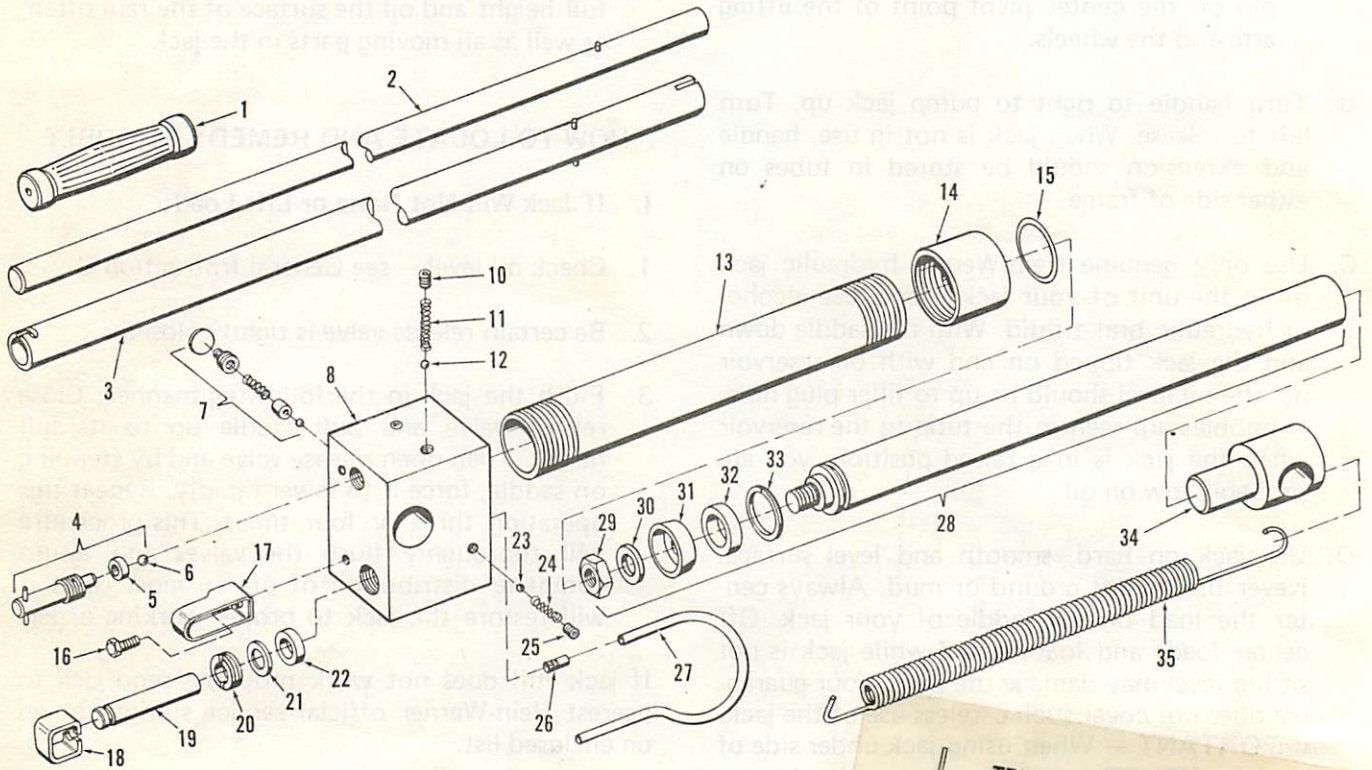
WAUKESHA, WISCONSIN — AJAX, ONTARIO

REV. 9-8-75



## UNIT ASSEMBLY FOR MODEL "RS"

ITEM NO.	PART NO.	DESCRIPTION	ITEM NO.	PART NO.	DESCRIPTION
1	9330	Handle Grip	19	62744	Piston
2	62757	Handle Extension	20	62848	Packing Nut
3	62758	Handle	21	61762	Back Up Washer
4	62767	Release Screw Assembly	22	61761	U Cup Packing
5	4520	Packing	23	17220	Ball
6	2675	Ball	24	62811	Spring
7	81101	Safety Valve Complete	25	61922	Socket Head Pipe Plug
8	62752	Base	26	62768	Suction Tube
10	61922	Socket Head Pipe Plug	27	62806	Tube
11	62810	Spring	28	62785	Ram Assembly
12	17220	Ball	29	18960	Hex Jam Nut
13	62742	Cylinder	30	11030	Washer
14	62764	Top Nut	31	63005	Cup
15	16307	"O" Ring	32	10710	Ram Spacer
16	62818	Hex Head Cap Screw	33	62808	Retaining Ring
17	62805	Clip - Piston Stop	34	62743	Head
18	7205	Clip	35	62812	Extension Spring





**TRI-CITY HYDRAULIC JACK SERVICE**  
 4628 N. Florida Avenue  
 Tampa, Florida 33603-3700  
 (813) 236-8551

**KIT # H81116**

REV. 9-8-75

Order parts from the nearest Hein-Werner Official Service Station. Always state both model and serial number.

**USE ONLY GENUINE HEIN-WERNER HYDRAULIC JACK OIL IN ANY HEIN-WERNER JACK**

HEIN-WERNER CORPORATION

PRINTED IN U.S.A.

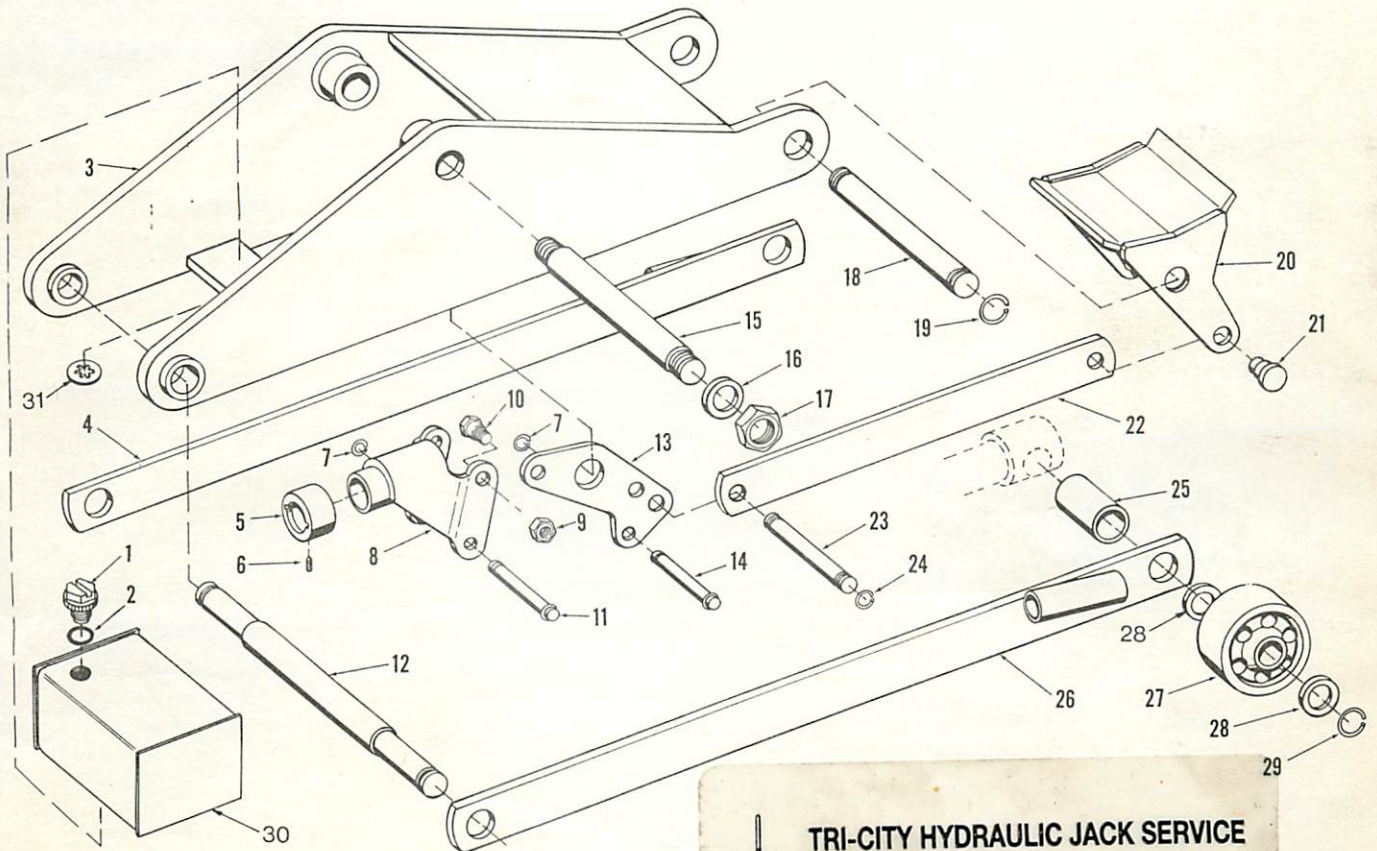
WAUKESHA, WISCONSIN - AJAX, ONTARIO



## FRAME ASSEMBLY FOR MODEL "RS"

ITEM NO.	PART NO.	DESCRIPTION
1	63076	Cap Plug
2	16256	"O" Ring
3	62775	Lift Arm
4	62773	Sidebar L.H.
5	62761	Collar
6	27300	Socket Set Screw
7	12345	Pin Ring
8	63107	Handle Socket
9	26496	Hex Jam Nut
10	63108	Handle Socket Stud
11	62786	Pin & Ring Assembly
12	62760	Axle
13	62789	Plate - Reaction
14	48658	Pin & Ring Assembly
15	62746	Main Pin
16	21405	Washer
17	26110	Hex Jam Nut

ITEM NO.	PART NO.	DESCRIPTION
18	62749	Saddle Pin
19	62807	Retaining Ring
20	62766	Saddle
21	62754	Stud
22	62763	Parallel Link
23	62750	Pin
24	16810	Pin Clip
25	62745	Spacer - Front Axle
26	62774	Sidebar R.H.
27	62809	Wheel
28	21405	Washer
29	62807	Retaining Ring
30	63046	Reservoir Tank
31	63051	Push Nut
32	55313	Caution Decal (Not Shown)
33	62814	Nameplate (Not Shown)
34	62815	Decal - H-W Logo (Not Shown)



### TRI-CITY HYDRAULIC JACK SERVICE

4628 N. Florida Avenue  
Tampa, Florida 33603-3700  
(813) 232-1280

REV. 9-8-75

Order parts from the nearest Hein-Werner Official Service Station. Always state both model and serial number.

USE ONLY GENUINE HEIN-WERNER HYDRAULIC JACK OIL IN ANY HEIN-WERNER JACK

HEIN-WERNER CORPORATION

PRINTED IN U.S.A.

WAUKESHA, WISCONSIN - AJAX, ONTARIO