

**HEIN-WERNER  
AUTOMOTIVE**

# Air Actuated Truck Jacks

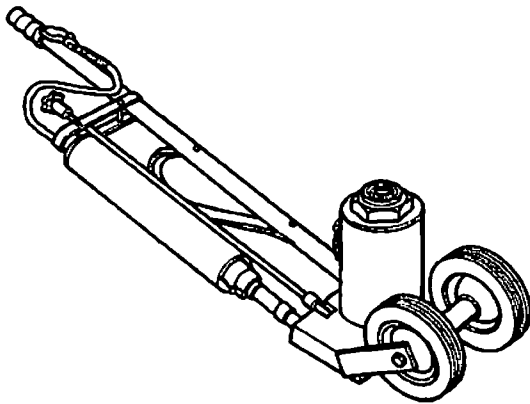
## Operating Instructions & Parts Manual

Model Number  
HW93731  
HW93733

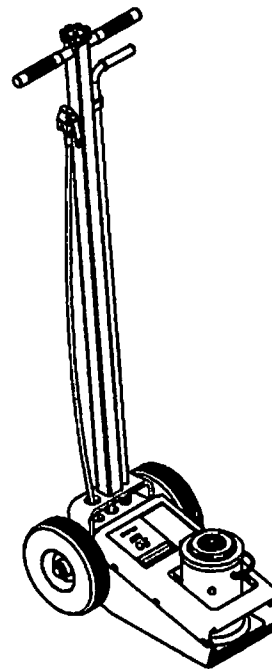
Capacity  
20 Ton  
20 Ton



**Made in the  
U.S.A.**



Model HW93731



Model HW93733



This is the safety alert symbol. It is used to alert you to potential personal injury hazards. Obey all safety messages that follow this symbol to avoid possible injury or death.

SFA Companies  
10939 N. Pomona Ave. Kansas City, MO 64153  
customerservices@heinwerner-automotive.com

Read this manual and follow all the Safety Rules and Operating Instructions before using this product.

HW83731-M0 rev 12/07

REMOVED

# ATA Actuator Track Jacks

## Operating Instructions & Parts Manual

ATA  
Actuator  
Track Jacks  
Operating Instructions  
& Parts Manual

Capacity  
20 Ton  
20 Ton

Model # 1000  
1000  
1000

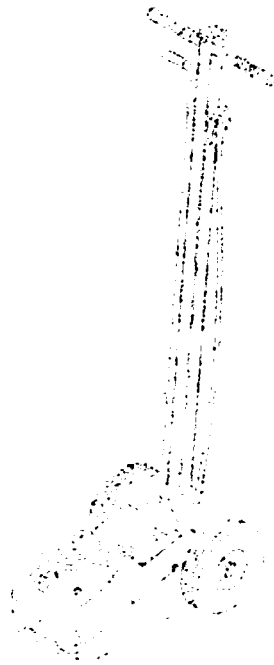


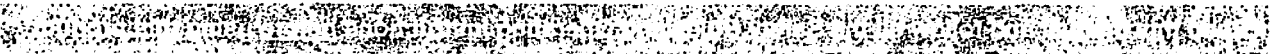
Fig. 1000



Fig. 1000

ATA Actuator Track Jacks are designed to support heavy loads in a safe and secure manner. They are used in a variety of applications, including the lifting and moving of heavy machinery and equipment. The following instructions should be read and followed carefully to ensure safe and proper use of these devices.

Operating Instructions  
& Parts Manual



**Replacement Parts Illustration For Model HW93733 (Part I) - refer to page 11 for parts list**

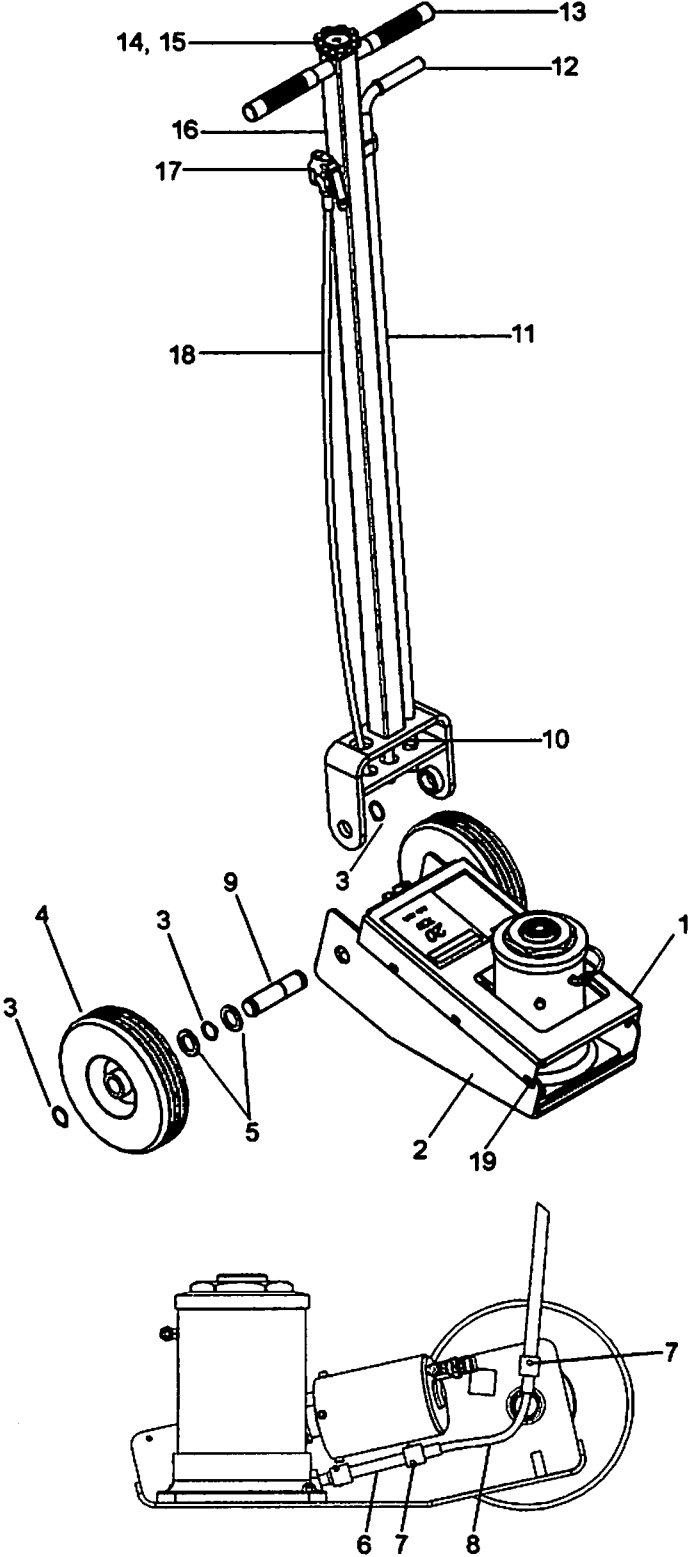


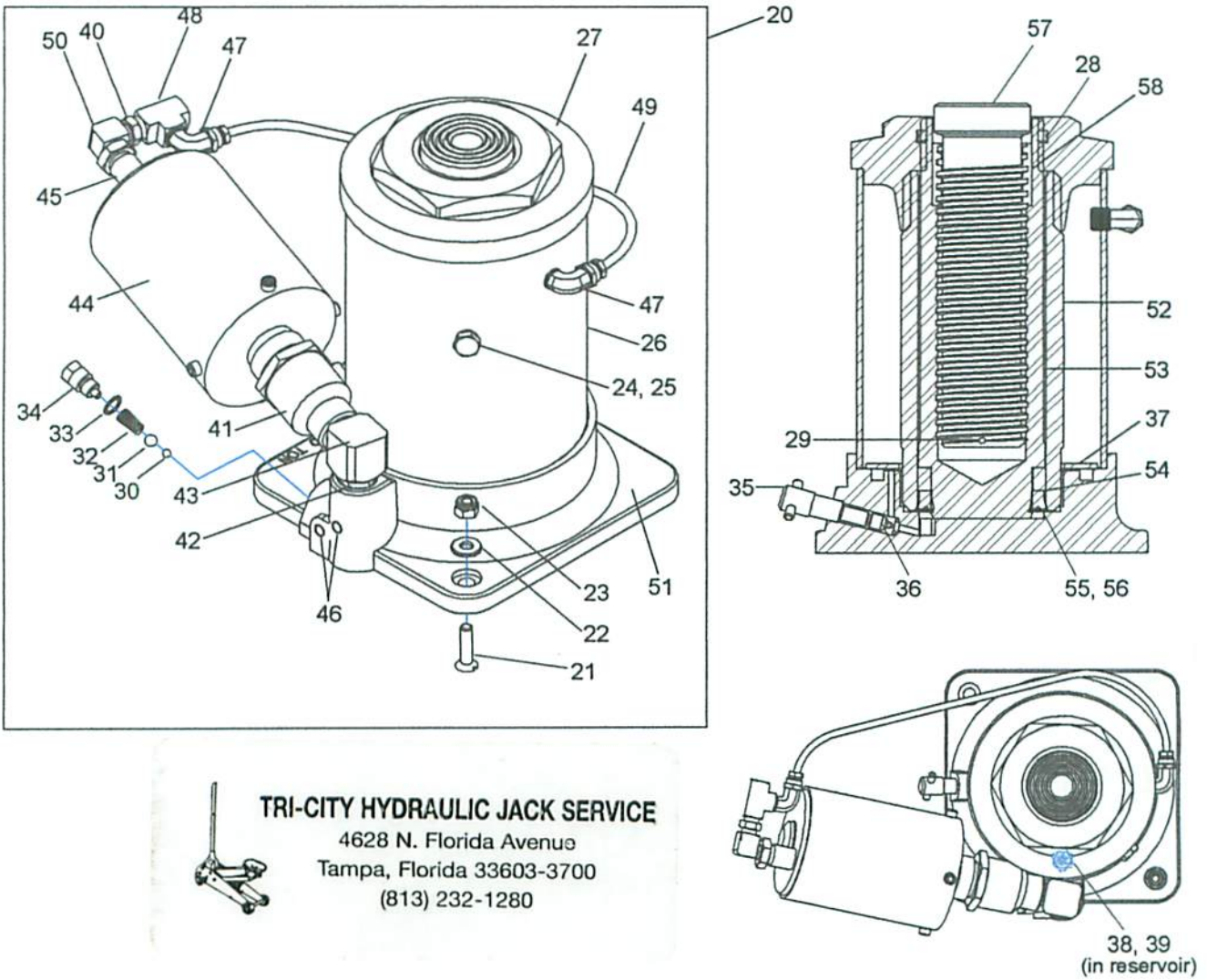
Figure 7 - Parts Illustration for Model HW93733 - Main Frame



**TRI-CITY HYDRAULIC JACK SERVICE**  
 4628 N. Florida Avenue  
 Tampa, Florida 33603-3700  
 (813) 232-1280

**Replacement Parts Illustration For Model HW93733 (Part II) - refer to page 11 for parts list**

**Hydraulic Unit Assembly (includes Air Motor)**



**Air Motor**

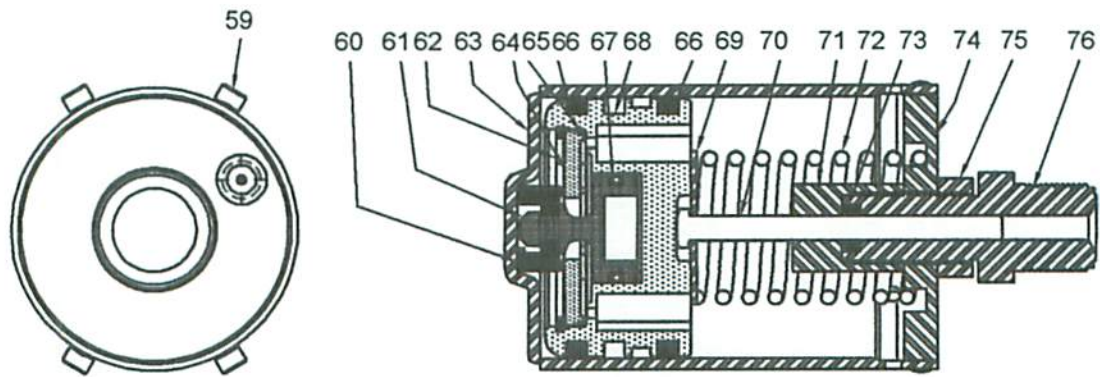


Figure 8 - Parts Illustration for Model HW93733 - Air Motor & Hydraulic Unit

Figure 2 - Hydraulic system for Model 6 Hydramatic 6107

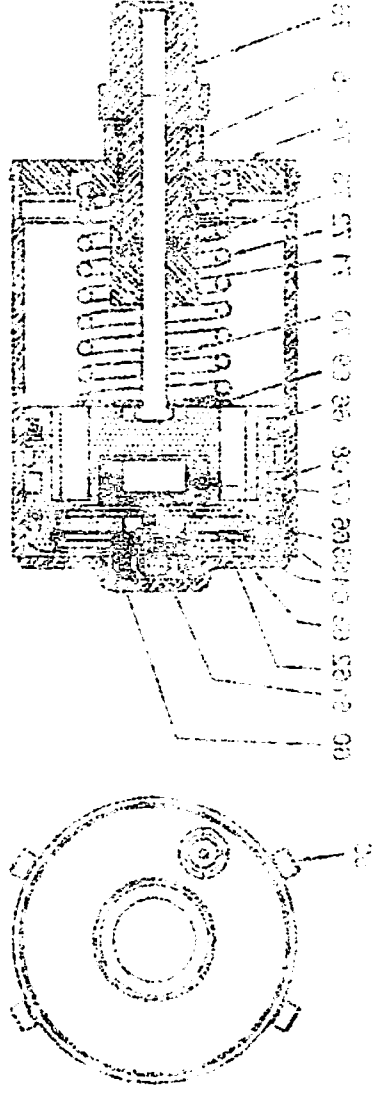


FIGURE 2

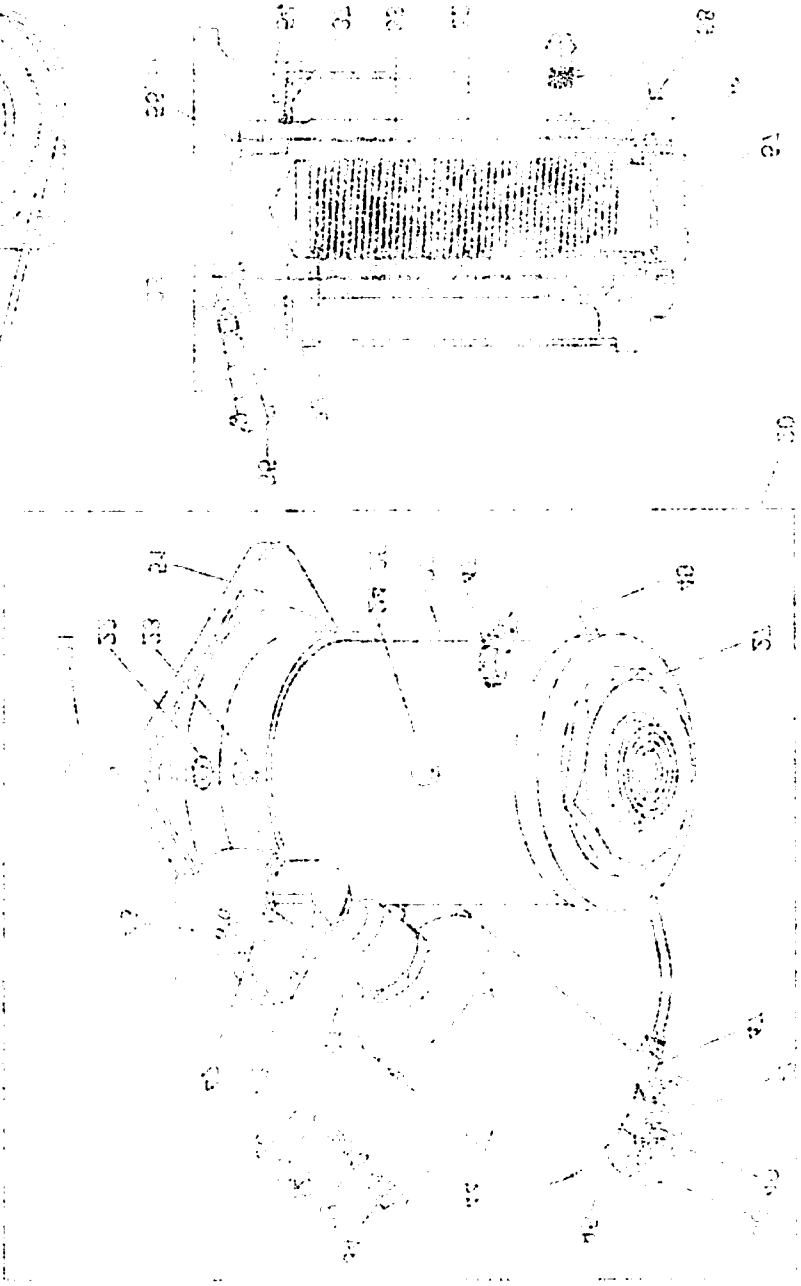
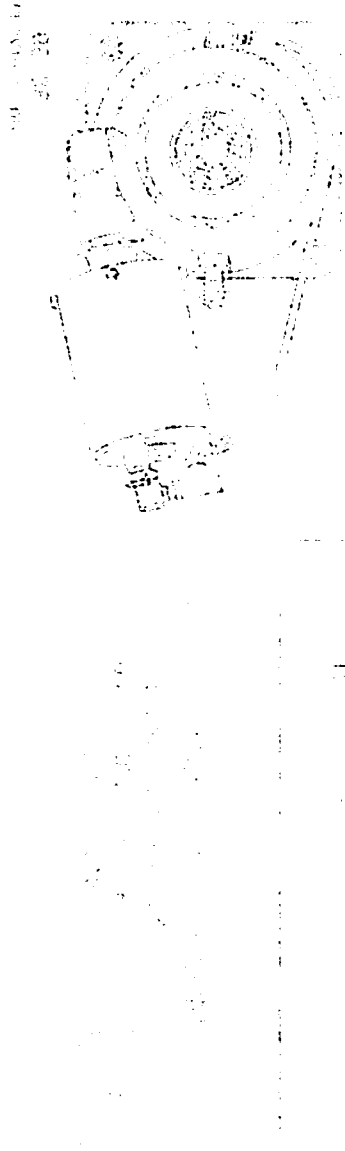


FIGURE 3

Figure 3 - Hydraulic system for Model 6 Hydramatic 6107

**Replacement Parts List For Model HW93733 - refer to page 9 & 10 for parts drawings.**

Item	Part No.	Description	Qty
1	BK210980SF	Top Cover	1
2	BJ511626SF	Frame Weldment	1
3	BB557523SF	Retaining ring, .94D	6
4	48002006	Wheel, Rubber 8Dx2.5W	2
5	85004016SF	Axle Thrust 1 ID	2
6	BK901038SF	Release Valve Adapter	1
7	235-21011	Pin, 3/16D	2
8	85004024	Flex Shaft	1
9	BJ395104SF	Wheel Axle 1D x 4-1/8L	2
10	23314012SF	Handle Release Spring	1
11	85002007SF	Release Rod	1
12	23220005	Handle Grip, Release Rod	1
13	23220001	Handle Grip	2
14	23220094SF	Knob, Release Valve	1
15	23521011SF	Pin, Knob 3/16D x 1-1/8L	1
16	85001011SF	Handle Assembly	1
17	1-312-00002	Air Valve, 1/4NPT	1
18	BJ354646	Air Hose, 1/4 ID	1
19	SJ100374	Screw, Phillips #10-32x1/2L	6
20	90000352SF	Jack & Air Motor Assy.	1
21	BJ318028	Screw, Flat 1/4-20UNCx1L	2
22	BD215108	Washer, 1/4	2
23	SJ100079	Nut, Hex 1/4-20UNC	2
24*	AJ100060	Filler Screw, 5/16-24x1/2L	1
25*	AJ100020	Gasket, 15/32OD	1
26	BJ389025	Reservoir	1
27	BJ398020	Top Cap	1
28*	NJ100046	Quad ring	1
29	BD674061	Pin, 1/8D x 9/16L	1
30*	B1160000	Ball, 7/32	1
31*	BS116000	Ball, 5/16	1
32*	AJ100040	Valve Spring	1
33*	BB159167	Gasket, 19/32OD	1
34*	BK300600	Valve Plug	1
35	BK490010	Release Spindle	1
36*	AJ100312	O-ring, 3/16ID	1
37	BK810800	Washer, 4-5/8OD	1
38	BK876900	Relief Valve	1
39	BS303700	Washer, 3/8OD, 17/64ID	1
40	BJ790096	Nipple, 1/8"MPT	1

Item	Part No.	Description	Qty
41	BK729200SF	Adapter, Air Motor	1
42	BJ580096	Pump Nipple	1
43	BK729100SF	Elbow, 78°, 3/8FPTx1/4MPT	2
44	31060002SF	Air Motor	1
45	BJ788039	Bushing	1
46	B1060100	Plug, Hex 1/4-28UNF	2
47	BJ990096	Male Elbow, 90°, 1/8MPT	2
48	BK264096U	Tee, Union, 1/8PT	1
49	BJ649268	Tube, 1/4ODx16L	1
50	BJ479096	Street Elbow, 90°, 1/8NPTF	1
51	BK550050	Base	1
52	BJ390030	Cylinder	1
53	21100488	Plunger	1
54*	36400011	Bearing	1
55*	248428	U-cup 2.5x2x.38	1
56*	30600031	Retaining Ring 2-18OD, 1-7/8ID	1
57	BJ382028	Adj. Screw	1
58	BJ385446	Plunger Sleeve	1
59	201-00821	Capscrew, Socket Head #10-32UNF	4
60*	2-315-00002	Seal, Shuttle Valve	1
61	2-310-40004	Air Shuttle Piston	1
62	1-230-06001	Retaining Ring, 2-1/8 D	1
63	310-11033	Cylinder, Air Motor	1
64	1-310-91014	Piston Cap	1
65*	1-390-01061	O-ring, 2-1/4 x 1/16 x 2-1/8	1
66*	1-390-02010	Quad ring, 3OD, 2-5/8ID	2
67*	1-390-10076	Seal, 1-1/4OD x 1ID x 1/8W	1
68	4-310-41017	Piston, air Motor	1
69	1-204-01106	Washer, 1.75x.32x.064	1
70	353-49252	Pump Plunger	1
71	353-49258	Pump Housing Cap	1
72	1-233-15003	Spring, 1.75OD	1
73*	390-10083	Seal, .277IDx.528OD	1
74	310-20032	Air Motor End Cap	1
75	203-62004	Nut, 13/16-16UN x 0.4L	1
76	353-49254	Pump Housing	1
(*)	B7002000	Repair Kit	-

(\*) indicates items included in Repair Kit B7002000



**TRI-CITY HYDRAULIC JACK SERVICE**

4628 N. Florida Avenue  
Tampa, Florida 33603-3700  
(813) 232-1280

Item	Part No	Description	Qty
(*)	B700200	Repair Kit	1
76	553-46304	Pump Housing	1
77	508-62004	Nut 1/2" Dia x 1/2" L	1
78	340-51388	Oil Motor End Cap	1
79	390-44083	Seal 27.10x 55.00	1
80	1-329-17003	Shaft 1.750D	1
81	323-46388	Pump Housing Cap	1
82	323-46388	Pump Plunger	1
83	1-304-01100	Washer 1.75x 32x 0.81	1
84	4-310-41017	Piston Oil Motor	1
85	1-320-10076	Seal 1.750D x 1.00 x 1.60	1
86	1-320-0210	Washer 3.00 x 3.00 x 0.10	2
87	1-320-01071	Oil Seal 1.75 x 1.75 x 0.10	1
88	1-320-10174	Piston Cap	1
89	310-41088	Cylinder Oil Motor	1
90	1-320-04001	Retaining Ring 2.125	1
91	2-310-10104	Oil Shells Piston	1
92	2-310-10103	Oil Shells Valve	1
93	1-301-00931	Oil Separator Socket Head	1
94	2130-018	Plunger Sleeve	1
95	516-61038	Oil Screw	1
96	3080001	Retaining Ring 1.750D	1
97	344018	Washer 2.5x 1.88	1
98	3040001	Spring	1
99	2110048	Plunger	1
100	2101000	Cylinder	1
101	2100000	Base	1
102	2101000	Socket Head Screw 3/8" Dia x 1.00" L	1
103	2101000	Lock Washer 3/8" Dia x 1.00" L	1
104	2101000	Lock Washer 3/8" Dia x 1.00" L	1
105	2101000	Lock Washer 3/8" Dia x 1.00" L	1
106	2101000	Lock Washer 3/8" Dia x 1.00" L	1
107	2101000	Lock Washer 3/8" Dia x 1.00" L	1
108	2101000	Lock Washer 3/8" Dia x 1.00" L	1
109	2101000	Lock Washer 3/8" Dia x 1.00" L	1
110	2101000	Lock Washer 3/8" Dia x 1.00" L	1
111	2101000	Lock Washer 3/8" Dia x 1.00" L	1
112	2101000	Lock Washer 3/8" Dia x 1.00" L	1
113	2101000	Lock Washer 3/8" Dia x 1.00" L	1
114	2101000	Lock Washer 3/8" Dia x 1.00" L	1
115	2101000	Lock Washer 3/8" Dia x 1.00" L	1
116	2101000	Lock Washer 3/8" Dia x 1.00" L	1
117	2101000	Lock Washer 3/8" Dia x 1.00" L	1
118	2101000	Lock Washer 3/8" Dia x 1.00" L	1
119	2101000	Lock Washer 3/8" Dia x 1.00" L	1
120	2101000	Lock Washer 3/8" Dia x 1.00" L	1

(\*) indicates items included in Repair Kit B700200

Item	Part No	Description	Qty
1	2101000	Top Cover	1
2	2101000	Frame Weldment	1
3	2101000	Retaining Ring 2.125	1
4	2101000	Washer 3/8" Dia x 1.00" L	1
5	2101000	Washer 3/8" Dia x 1.00" L	1
6	2101000	Washer 3/8" Dia x 1.00" L	1
7	2101000	Washer 3/8" Dia x 1.00" L	1
8	2101000	Washer 3/8" Dia x 1.00" L	1
9	2101000	Washer 3/8" Dia x 1.00" L	1
10	2101000	Washer 3/8" Dia x 1.00" L	1
11	2101000	Washer 3/8" Dia x 1.00" L	1
12	2101000	Washer 3/8" Dia x 1.00" L	1
13	2101000	Washer 3/8" Dia x 1.00" L	1
14	2101000	Washer 3/8" Dia x 1.00" L	1
15	2101000	Washer 3/8" Dia x 1.00" L	1
16	2101000	Washer 3/8" Dia x 1.00" L	1
17	2101000	Washer 3/8" Dia x 1.00" L	1
18	2101000	Washer 3/8" Dia x 1.00" L	1
19	2101000	Washer 3/8" Dia x 1.00" L	1
20	2101000	Washer 3/8" Dia x 1.00" L	1
21	2101000	Washer 3/8" Dia x 1.00" L	1
22	2101000	Washer 3/8" Dia x 1.00" L	1
23	2101000	Washer 3/8" Dia x 1.00" L	1
24	2101000	Washer 3/8" Dia x 1.00" L	1
25	2101000	Washer 3/8" Dia x 1.00" L	1
26	2101000	Washer 3/8" Dia x 1.00" L	1
27	2101000	Washer 3/8" Dia x 1.00" L	1
28	2101000	Washer 3/8" Dia x 1.00" L	1
29	2101000	Washer 3/8" Dia x 1.00" L	1
30	2101000	Washer 3/8" Dia x 1.00" L	1
31	2101000	Washer 3/8" Dia x 1.00" L	1
32	2101000	Washer 3/8" Dia x 1.00" L	1
33	2101000	Washer 3/8" Dia x 1.00" L	1
34	2101000	Washer 3/8" Dia x 1.00" L	1
35	2101000	Washer 3/8" Dia x 1.00" L	1
36	2101000	Washer 3/8" Dia x 1.00" L	1
37	2101000	Washer 3/8" Dia x 1.00" L	1
38	2101000	Washer 3/8" Dia x 1.00" L	1
39	2101000	Washer 3/8" Dia x 1.00" L	1
40	2101000	Washer 3/8" Dia x 1.00" L	1