

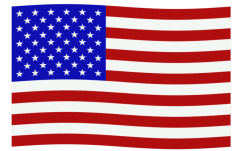


Air Operated Truck Lift

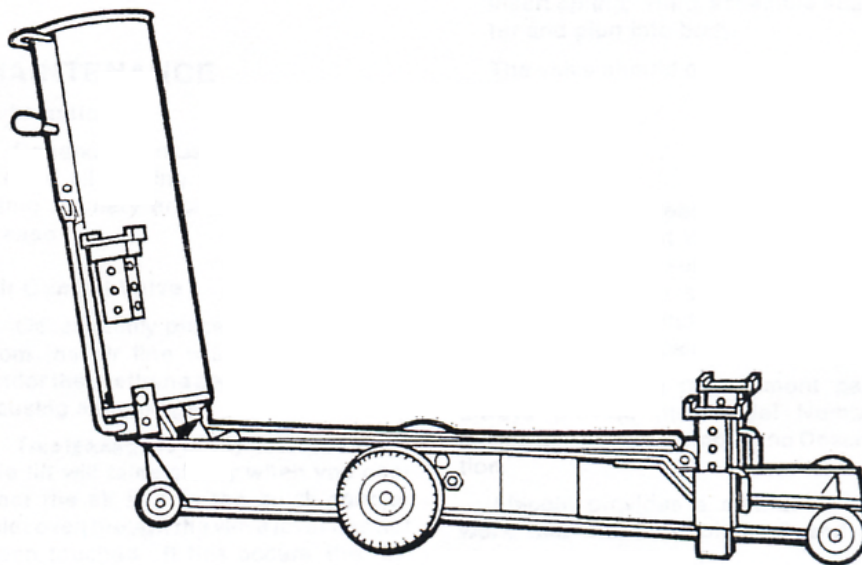
Operating Instructions & Parts Manual

Model Number
HW93661

Capacity
5 1/2 Ton



Made in the USA



SFA Companies
10939 N. Pomona Ave. Kansas City, MO 64153
816-891-6390
customerservices@heinwerner-automotive.com

-Before using this product, read this manual and follow all its Safety Rules and Operating Instructions

HW93661-M0 04/06

SAVE THESE INSTRUCTIONS

For your safety, *read, understand, and follow* the information provided with and on this product. The owner and operator of this equipment shall have an understanding of this product and safe operating procedures before attempting to use. The owner and operator shall be aware that use and repair of this product may require special skills and knowledge. Instructions and safety information shall be conveyed in the operator's native language before use of this product is authorized. If any doubt exists as to the safe and proper use of this jack, remove from service immediately.

Inspect before each use. Do not use if there are broken, bent, cracked, or damaged parts (including labels). Any truck lift that appears damaged in any way, operates abnormally or is missing parts shall be removed from service immediately. If the truck lift has been or suspected to have been subjected to a shock load (a load dropped suddenly, unexpectedly upon it), immediately discontinue to use until the truck lift has been inspected by a Hein-Werner authorized service center. It is recommended that an annual inspection be done by qualified personnel. Labels and Operator's Manual are available from manufacturer.

PRODUCT DESCRIPTION

The Hein-Werner Air Operated Truck Lift is designed to lift, but not sustain, rated capacity loads. The lift saddles are height and width adjustable. **Intended use:** To engage the metal structure, axle or frame of a vehicle and raise for the purpose of service and/or repair of vehicle components. It can also be used for bumper lifting if approved by the vehicle manufacturer. Many bumpers today are decorative rather than structural. Check vehicle's factory service and/or repair manual for proper lift points. After lifting, loads must be immediately supported by appropriately rated vehicle stands.

The truck lift has excellent stability. A safety paw operates automatically to support the load independent of the air pressure. Large pneumatic wheels make it easy to maneuver around the shop. A two-stage air valve is used to precisely control the lift speed and height of the vehicle. These features make the lift perfect for steam cleaning, wheel or suspension repair.

DO NOT USE TO DOLLY OR MOVE VEHICLE. DO NOT USE FOR ANY PURPOSE OTHER THAN THOSE USES OUTLINED ABOVE!

SPECIFICATIONS


Model	HW93661
Capacity	5 1/2 Ton
Min. Height	9 1/2" (low saddles) 14 1/2" (high saddles)
Max. Height	53 1/2" (high saddles) 48 1/2" (low saddles)
Saddle Spread	23 ~ 45"
Forward Reach At High Lift	45"
Size	89" (L) x 36" (W) x 55" (H)
Weight	650 lb.
Air Pressure Required	140 ~ 160 psi



SAFETY INSTRUCTIONS

BEFORE USE


1. Verify that the product and the application are compatible, if in doubt call Hein-Werner Technical Service (816) 891-6390.
2. Read this manual completely and familiarize yourself thoroughly with the product, its components and recognize the potential hazards associated with its misuse **before** using this product.
3. Ensure that truck lift rolls freely, the air cylinder operates smoothly, raises and lowers the unloaded saddle throughout the lift range before putting into service.
4. Ensure the jack is loaded on center with the saddles placed equal distance from the center.
5. Replace worn or damaged parts and assemblies with Hein-Werner Replacement Parts only. (See Replacement Parts Section). Lubricate as instructed in Maintenance Section.
6. Connect air nipple to air input port before connecting air hose.

Note: Use only NPT thread size air nipple. Tighten securely to prevent accidental removal of components while in use. Take care not to introduce compound into port orifices.

 WARNING
<ul style="list-style-type: none">• Study, understand, and follow all instructions provided with and on this device before operating this device.• Do not exceed rated capacity.• This is a lifting device only.• Center load on saddle.• Never lift vehicle which cannot roll freely forward and backward during lift.• After lifting, immediately transfer the load to appropriately rated vehicle stands.• Use only on hard, level surfaces capable of sustaining rated capacity loads.• Do not move or dolly loads with this device.• Do not modify this device.• Do not use adapters or accessories that are not provided initially.• Lift only on areas of the vehicle as specified by the vehicle manufacturer.• Failure to heed these markings may result in personal injury and/or property damage.

 WARNING	
	To avoid crushing and related injuries: NEVER work on, under or around a load supported only by a truck lift. ALWAYS use adequately rated jack stands.

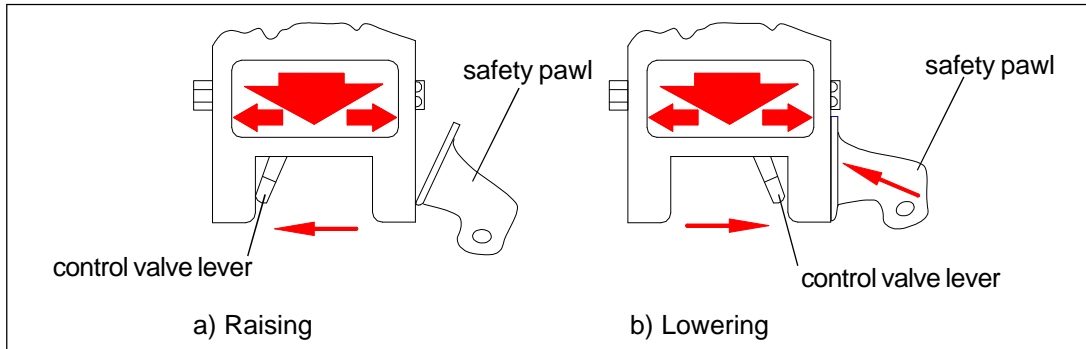
 WARNING	
	For your safety: ALWAYS use adequately rated vehicle stands to support the vehicle before getting under it.

 ADVERTENCIA
<ul style="list-style-type: none">• Leer, comprender, y seguir las instrucciones antes de utilizar el aparato.• El manual de instrucciones y la información de seguridad deben estar comunicado en lengua del operador antes del uso.• No seguir estas indicaciones puede causar daños personales o materiales.

OPERATION

1. Connect the 1/4" NPT nipple and air hose to the air inlet port (left side of the control valve). To lift rated capacity of 140 to 160 psi air pressure is required.
2. **To Raise:** Move the control valve lever slightly to the left will lift the load slowly. The truck lift will operate faster by moving the control valve lever further to the left. (see Fig. 1a.)
3. **To Lower:** Move the lever to the right while releasing the safety pawl will lower the load. The load will lower faster the further the lever is moved to the right. (see Fig. 1b)
4. The lift's safety pawl will automatically ratchet upward as the load is raised.

Figure 1.



Raising

1. Ensure that the vehicle is on a flat, hard and level surface.
2. Release brakes, place gear selector in neutral and chock outside of wheels at opposite end of the vehicle to prevent accidental roll. (see Fig. 2)
3. Position the truck lift at the centerline of one end of the vehicle. (see Fig. 3)

Figure 2.

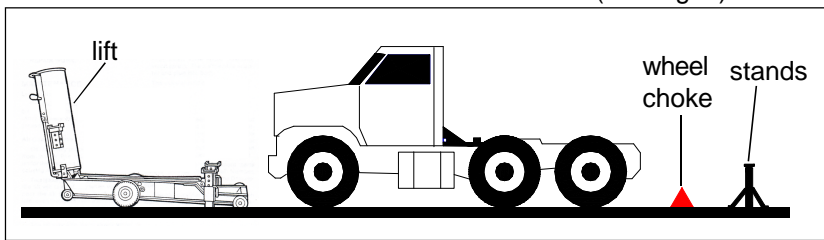
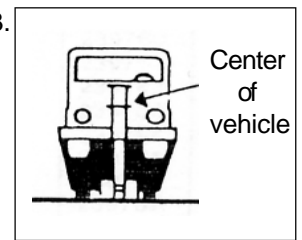
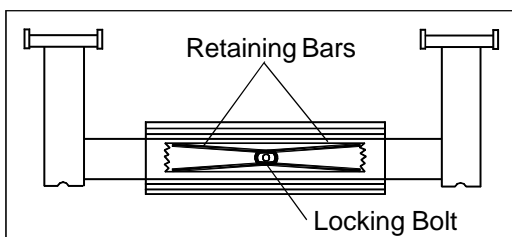


Figure 3.



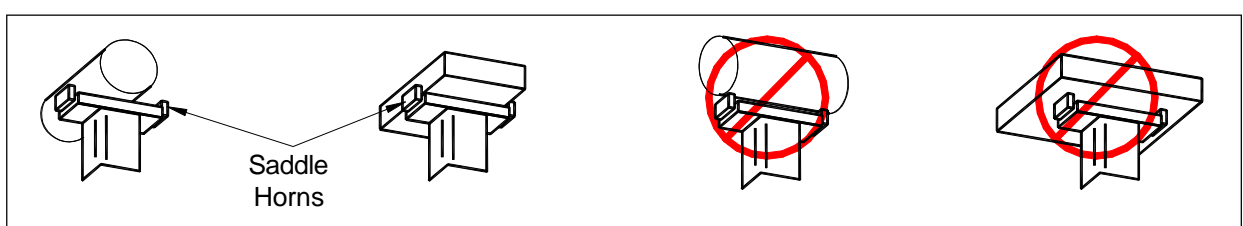
4. Position the lift saddles so that they are extended equally on each side of the lift to balance the load. To adjust the location of the lifting beams, unscrew the locking bolt and nut. (see Fig. 4)

Figure 4.



5. Ensure that cross pins are fully inserted in the saddle adjustment holes.
6. Lift only on areas of the vehicle as specified by the vehicle manufacturer.
7. Lifting saddles should cradle lifting point. Load must rest on saddle face between the saddle horns. Horns must hook over the front and rear of a part of frame, bumper, axle or bed. (see Fig 5)

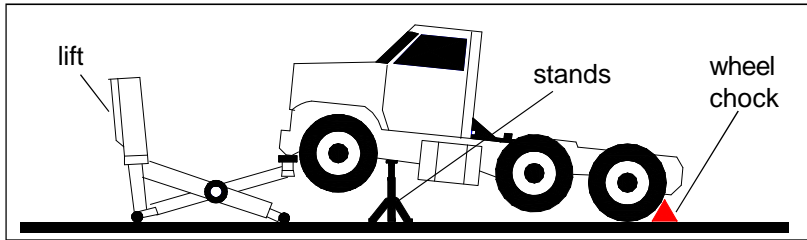
Figure 5.



OPERATION (cont.)

7. Only attachments and/or adapters supplied by the manufacturer shall be used.
8. Raise vehicle slowly until saddles contact with lift point. Ensure that saddles are positioned correctly, then continue to raise until desired height. **PLACE VEHICLE STANDS UNDER VEHICLE BEFORE STARTING REPAIR WORK. ALWAYS use in pairs.** (see Fig 6)

Figure 6.



Lowering



1. Raise load high enough to clear the vehicle stands, then carefully remove vehicle stands.
2. Slowly lower the load by disengaging safety pawl and pushing the control valve lever toward right.

MAINTENANCE

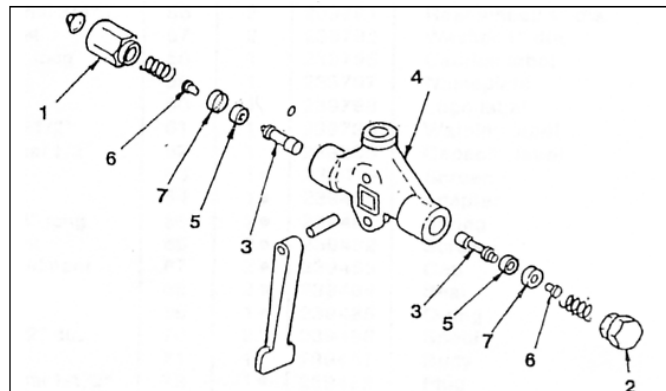
Lubrication

1. Regularly oil and grease all moving joints and pivot points with ordinary engine oil and chassis grease to prevent rust.
2. Ensure that wheels, and caster assemblies move freely.

Air Control Valve

1. Occasionally pieces of scale or rust from the air line will become lodged under the urethane seats of the air valve causing air leakage. This leakage is easily detected since the truck lift will raise slowly when you connect the air line to the air inlet port even though the valve lever has not been touched. If this occurs, the "in" side of the valve needs cleaning. The lift may also lower slowly when you disconnect the air line from the air inlet port even though the valve lever has not been touched. If this occurs, either the "in" or both sides of the valve need cleaning.
2. To clean, refer valve diagram below (Fig. 7) and follow these instructions:
 - a. Remove the adapter (1) and plug (2) from the ends of the air control valve.
 - b. Use a stiff wire or nail to push the valve spool (3) out of the valve body (4) from center to outside.
 - c. Carefully examine the valve seat (5) for any scale, dirt or foreign matter. If foreign matter is embedded in the valve seat, remove the screw (6) and cap (7) from the end of the spool. Clean the seat, turn over and reassemble.
 - d. Lubricate the valve spool with light chassis grease.
 - e. Reassemble the valve in this order: First, insert valve spool. Second, insert spring. Third, assemble adapter and plug into body. The valve should operate like new.

Figure 7 - Valve Diagram



Storage

When not in use, store the jack with cylinder fully lowered.

REPLACEMENT PARTS

Not all components of the end lift are replacement items, but are illustrated as a convenient reference of location and position in the assembly sequence. When ordering parts, give Model number, parts number and description below. Call or write for current pricing: Phone:(816)891-6390 or contact Hein-Werner Customer Support, customerservices@heinwerner-automotive.com or 10939 N. Pomona Ave. Kansas City, MO 64153

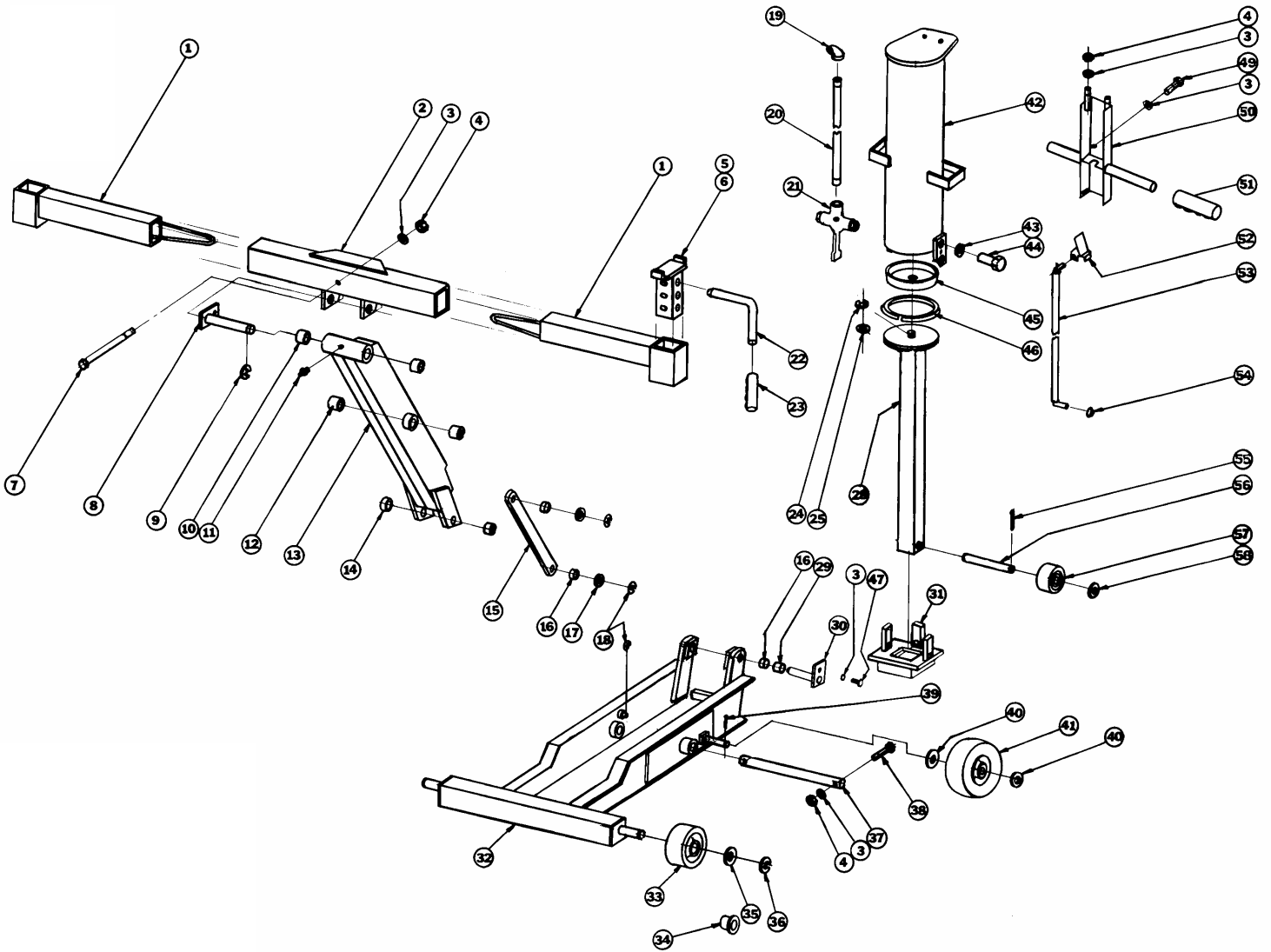


Figure 8 - Replacement Parts Illustration for HW93661

Replacement Parts List

Item	Qty.	Part No.	Description	Item	Qty.	Part No.	Description
1	2	239738	Pad arm weldment	32	1	N/A	Outer frame
2	1	239739	Table weldment	33	2	239768	Front wheel
3	8	239740	Lockwasher, 3/8"	34	4	239769	Flanged bearing 1-1/2"
4	5	239741	Nut, hex. 3/8-16UNC	35	2	239770	Washer, 1-1/2"
5	2	244185	Saddle, Low	36	2	239771	Retaining ring, 1-1/2"
6	2	239743	Saddle, High	37	1	239772	Center shaft
7	1	239744	Capscrew, hex HD, 3/8-16UNC	38	2	239773	Capscrew, hex head 3/8-16UNC
8	1	239745	Fron pin weldment	39	2	239774	Cotter pin, 1/8"Dx1-1/4"L
9	1	239746	Retaining ring, 1-1/4	40	4	239775	Washer, 3/4"
10	2	239747	Bearing, 1-1/4"Dx 1"L	41	2	239776	Wheel pneumatic
11	1	239748	Grease fitting, 3/16"	42	1	N/A	Cylinder weldment
12	2	239749	Bearing, 1-1/2"Dx 1"L	43	3	239778	Lockwasher 1"
13	1	239750	Center frame	44	3	239779	Capscrew, hex 1"-8UNC
14	2	239751	Bearing, 1"D x 3/4"L	45	1	239780	Cup, 10"
15	2	239752	Leveling link	46	1	239781	Wiper ring
16	6	239753	Bearing, 3/4"D x1/2"L	47	2	239782	Capscrew, hex head 3/8-16UNC
17	4	239754	Washer, 3/4"D	49	1	239783	Capscrew, hex head 3/8-16UNC
18	4	239755	Retaining ring, 3/4"	50	1	239784	Valve cover
19	1	239756	Elbow, 1/4" 900 street	51	2	239785	Handle grip, 7/8"x 5"
20	1	239757	Nipple, 1/4", 12-7/8"L	52	1	239786	Safety catch hinge
21	1	239452	Valve, long handle	53	1	239787	Release rod
22	2	239759	Saddle pin	54	2	239788	Push nut 3/8"
23	2	239760	Handle grip, 5/8"x3-1/2"	55	2	239789	Cotter pin 3/16"Dx2"L
24	1	239761	Retaining ring, 1/2"	56	1	239790	Rear axle
25	1	239762	Washer, 1/2"	57	2	239791	Rear sheel, 4"D
28	1	239763	Piston rod weldment	58	2	239792	Washer 1"D
29	2	239764	Bearing 3/4"Dx3/4"L	-	1	HW93661-K0	Labels Kit
30	2	239765	Cylinder pin weldment	-	1	HW93661-M0	Manual
31	1	239766	Lower head plate weldment				

TROUBLESHOOTING

Symptom	Possible Causes	Corrective Action
Truck lift will not raise load	<ul style="list-style-type: none"> • Air pressure too low • Air hose kinked or plugged • Air hose inner diameter too small • Air cylinder / components damaged 	<ul style="list-style-type: none"> • 140 ~160 psi air pressure required to lift rated load • Remove kinks and obstruction from air hose • Consult air compressor manufacturer for the correct size of hose • Contact Hein-Werner repair center
Truck lift will not lower after unloading	<ul style="list-style-type: none"> • Safety pawl engaged • Structural damage to lift assembly 	<ul style="list-style-type: none"> • Press air control valve to raise lift slightly, then disengage safety pawl • Contact Hein-Werner repair center
Truck lift raises or lowers with jerky motion	<ul style="list-style-type: none"> • Cylinder need lubrication 	<ul style="list-style-type: none"> • Apply #630-AAA LUBRIPLATE to cylinder wall

TWO YEARS LIMITED WARRANTY

For a period of two (2) years from date of purchase, SFA Companies will repair or replace, at its option, without charge, any of its products which fails due to a defect in material or workmanship under normal usage. This limited warranty is a consumer's exclusive remedy.

Performance of any obligation under this warranty may be obtained by returning the warranted product, freight prepaid, to SFA Companies Warranty Service Department, 10939 N. Pomona Ave., Kansas City, MO 64153. Except where such limitations and exclusions are specifically prohibited by applicable law:

- (1) THE CONSUMER'S SOLE AND EXCLUSIVE REMEDY SHALL BE THE REPAIR OR REPLACEMENT OF DEFECTIVE PRODUCTS AS DESCRIBED ABOVE
- (2) SFA COMPANIES SHALL NOT BE LIABLE FOR ANY CONSEQUENTIAL OR INCIDENTAL DAMAGE OR LOSS WHATSOEVER.
- (3) ANY IMPLIED WARRANTIES, INCLUDING WITHOUT LIMITATION THE IMPLIED WARRANTIES OF MERCHANTABILITY AND FITNESS FOR A PARTICULAR PURPOSE, SHALL BE LIMITED TO TWO YEARS, OTHERWISE THE REPAIR, REPLACEMENT OR REFUND AS PROVIDED UNDER THIS EXPRESS LIMITED WARRANTY IS THE EXCLUSIVE REMEDY OF THE CONSUMER, AND IS PROVIDED IN LIEU OF ALL OTHER WARRANTIES, EXPRESS OR IMPLIED.
- (4) ANY MODIFICATION, ALTERATION, ABUSE, UNAUTHORIZED SERVICE OR ORNAMENTAL DESIGN VOIDS THIS WARRANTY AND IS NOT COVERED BY THIS WARRANTY.

Some states do not allow limitations on how long an implied warranty lasts, so the above limitation may not apply to you. Some states do not allow the exclusion or limitation of incidental or consequential damages, so the above limitation or exclusion may not apply to you. This warranty gives you specific legal rights, and you may also have other rights which vary from state to state.



SFA Companies
 10939 N. Pomona Ave. Kansas City, MO 64153
 816-891-6390
 customerservices@heinwerner-automotive.com