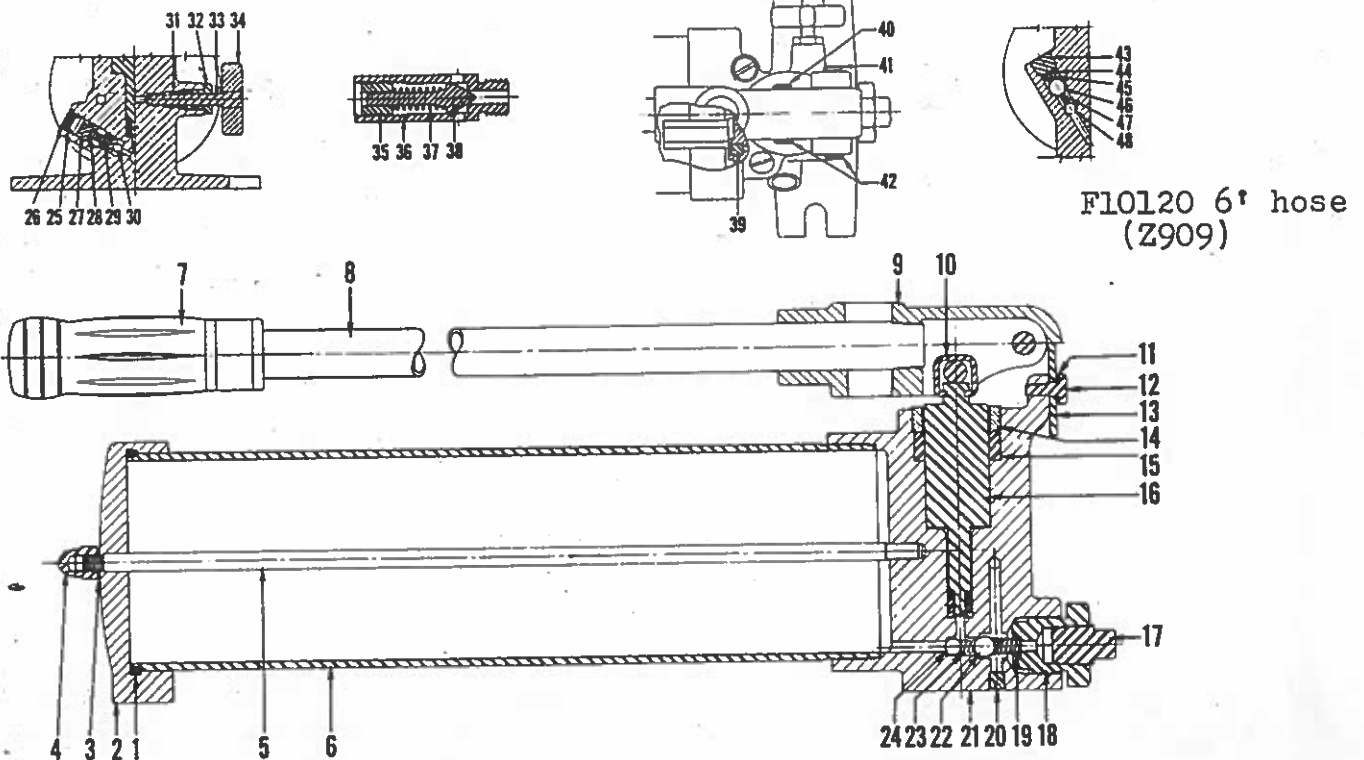


FP-30 PUMP UNIT



FP30 PUMP UNIT PARTS

ITEM NO.	OLD PART NO.	NEW PART NO.	DESCRIPTION	ITEM NO.	OLD PART NO.	NEW PART NO.	DESCRIPTION
1	ARP568-239	16380	"O" Ring	26		25370	1/2" Expansion Plug
2	PM122	19940	End Cap	27	G67-1	17520	Safety Valve Screw
3	W602	24120	Washer	28	G20	16906	Spring
4		26465	3/8-18 Hex Acorn Nut. Midwest 1562	29	G235	17055	Spring Cap
5	PM124	19960	Tie Rod	30	G252	17220	Ball
6	PM14008	20095	Reservoir Tube	31	136C	4520	Release Valve Packing
7	5528R	13830	Handle Grip	32	5518	13485	Packing Nut
8	1B583	8510	Handle	33	F1019	16585	Release Valve
9	PM12002	19915	Handle Socket	34	5570	14240	Knob
10	178B	7205	Clip	35	PM129	80212	Cut-Out Screw
11	BOW25S20	16390	Bow Washer	36	PM127	19980	Cut-Out Body
12	PM135	20020	Stud-Latch Plate	37	F4.4	16750	Spring
13	PM123	19950	Latch Plate	38	GG125	17890	Cut-Out Valve
14	F3043	16660	Packing Nut	39	129	3525	Plug
15	F3054	16670	Piston Packing	40	PM126	19970	Pin
16	PM16006	20155	Piston	41	PM128	19990	Pin
17		80207	3/8-18 Sq. Hd. Pipe Plug	42	389A	12345	Pin Ring
18	PM131	20010	Adapter	43	388	11855	Plug
19	332A	11160	Spring	44	385	11520	Seal
20	129	3525	Plug	45	332A	11160	Spring
21	PM10010	19835	Pump Base	46	125D	3010	Ball
22	125D	3010	Ball	47	1232	2185	Spring
23	1232	2185	Spring	48	125C	2675	Ball
24	125C	2675	Ball	49		25435	1/4-18 Sq. Hd. Pipe Plug for gauge hole
25	385	11520	Seal	50		80213	Decal

PUMP VALVE SET 81057

REV. 7-1-68

USE NEW PART NUMBER ONLY WHEN ORDERING PARTS

Order parts from the nearest Hein-Werner Official Service Station. Always state both model and serial number.
USE ONLY GENUINE HEIN-WERNER HYDRAULIC JACK OIL IN ANY HEIN-WERNER JACK