

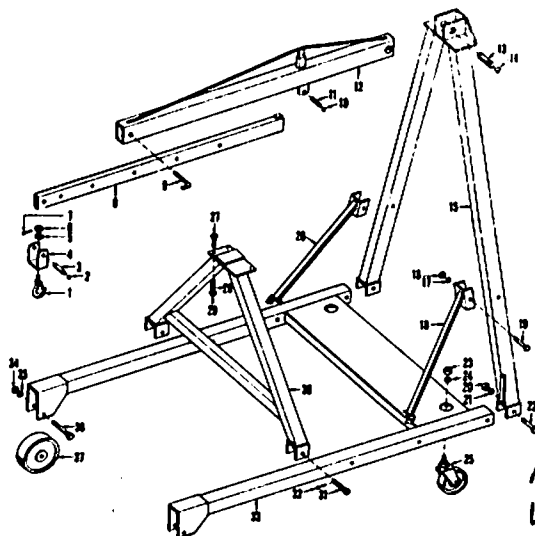


MODEL "C1000"

HYDRAULIC CRANE REPAIR PARTS LIST

FRAME ASSEMBLY

ITEM NO.	OLD PART NO.	NEW PART NO.	DESCRIPTION	ITEM NO.	OLD PART NO.	NEW PART NO.	DESCRIPTION
1	21A34	80258	Hook Assembly	22		80251	1/2-20x3" Lg. Hex Hd. Cap Screws (4)
2	5100-50	80259	Retaining Rings	23		26111	3/4-16 Reg. Hex Nuts (2)
3	HC127	80260	Hook Bracket Pin	24	1232-00	2490	Lockwashers (2)
4	HC126	80261	Hook Bracket	25	TJ101	21020	Caster Wheels (2)
5	W606	80225	Thrust Washer	26	21A16	80273	R.H. Strut & Mount Assembly
6		80262	1/2-20 Slotted Hex Nut	27		80274	1/4-20 UNFx1 3/8 Lg. H.H. Cap Screw
7		80263	3/32x1 1/4 Cotter Pin	28	S139	80275	Spring
8	21A30	80264	Boom Extension Assembly	29		80276	1/4-20 UNF Hex Locknut
9	A-073	80229	Lock Pin Assembly	30	21A12	80277	Jack Mount Assembly
10	5100-50	80259	Retainer Rings	31		80278	Clevis Pin 1/2 Dia.x3" Lg. (2)
11	HC123	80265	Ram Pivot Pin	32		80247	Cotter Pin 1/8x1 Lg. (2)
12	21A14	80266	Boom Assembly	33	21A11	80279	Base Assembly
13	HC122	80267	Boom Pivot Pin	34		80249	1/2-20 Reg. Hex Nuts (4)
14	5100-93	80233	Retaining Ring (2)	35	1224-00	2155	Lockwashers (4)
15	21A13	80268	Mast Assembly	36		80251	1/2-20x3" Lg. Hex Hd. Cap Screws (4)
16		26455	3/16-18 Reg. Hex Nuts (2)	37	WR-9216	80252	Front Wheels (2)
17	1218-00	1915	Lockwashers (2)	38		80280	Decal (Not Shown)
18	21A17	80271	L.H. Strut & Mount Assembly	39		80281	Nameplate (Not Shown)
19		80272	3/16-18x2 1/2 H.H. Cap Screw (2)				
20		80249	1/2-20 Reg. Hex Nuts (4)				
21	1224-00	2155	Lockwashers (4)				



MAY NEED H2611110 FLAT WASHER FOR SPINDLE SPACER

REV. 7-1-68

USE NEW PART NUMBER ONLY WHEN ORDERING PARTS

Order parts from the nearest Hein-Werner Official Service Station. Always state both model and serial number.

USE ONLY GENUINE HEIN-WERNER HYDRAULIC JACK OIL IN ANY HEIN-WERNER JACK

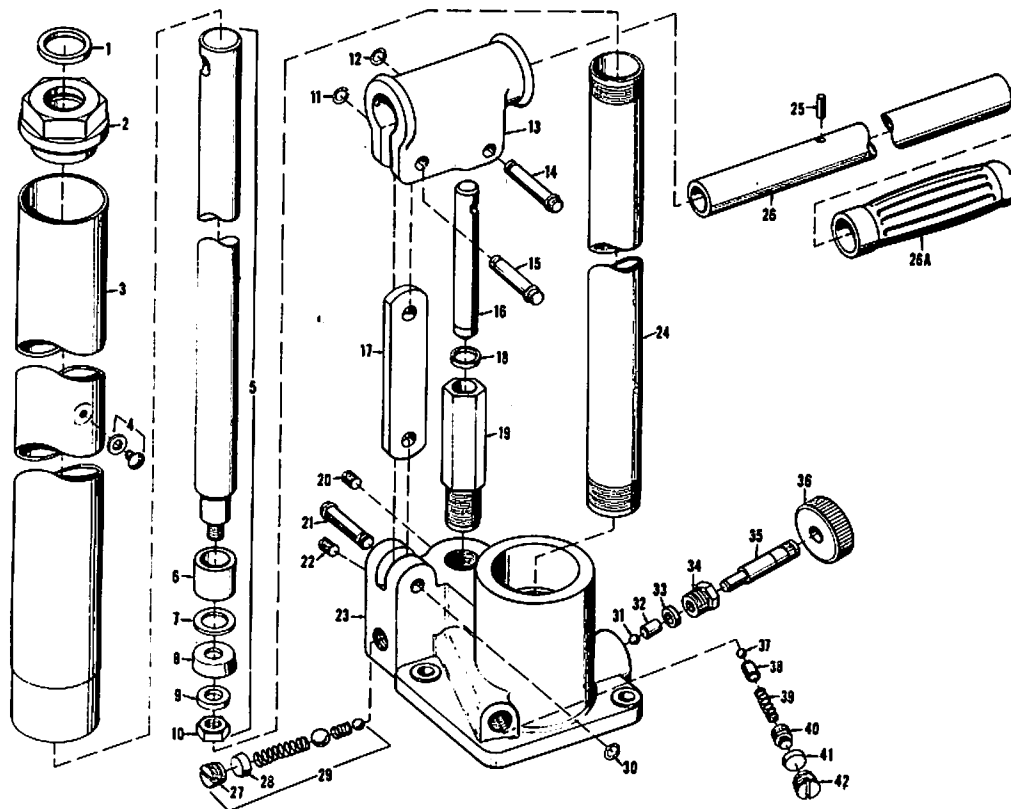
HEIN-WERNER CORPORATION

PRINTED IN U.S.A.

WAUKESHA, WISCONSIN — AJAX, ONTARIO

UC122-1 UNIT ASSEMBLY FOR MODEL "C1000"

ITEM NO.	OLD PART NO.	NEW PART NO.	DESCRIPTION	ITEM NO.	OLD PART NO.	NEW PART NO.	DESCRIPTION
1	Q17	20625	Quad Ring	22	129	3525	Plug (2)
2	111-7B	854	Top Nut	23	210-2	9227	Base
3	114-22-2	1011	Reservoir Tube	24	113-21	944	Cylinder
4	¼-28x¾	80257	Rd. Hd. Mach. Screw w/139-4 Washer	25	172	6870	Pin
5	115-21	7843	Ram Assembly	26	528-12	8015	Handle
6	120C	1690	Spacer	26A	5528R	13830	Handle Grip
7	127	3440	Backing Washer	27	388	11855	Plug (2)
8	124	2515	Cup	28	385	11520	Seal (2)
9	122	1970	Retainer	29	25A	80127	Pump Valves
10	¾-24	26270	Hex Jam Nut	30	389B	12415	Pin Ring
11	389B	12415	Pin Ring	31	125E	3345	Ball
12	389B	12415	Pin Ring	32	119-5	1470	Spacer
13	2012A	8935	Handle Socket	33	136C	4520	Packing
14	521B	13235	Pin	34	118A	1290	Nut
15	253	80147	Pin w/389B	35	219-5	9255	Release Stem
16	HP16005	18447	Piston	36	170-1	6655	Knob
	43	14969	"U" Cup for Piston	37	G252	17220	Ball
17	552A	13840	Link	38	G235	17055	Cap
18	Q4014	20658	Quad Ring	39	G20	16906	Spring
19	HP93005	18446	Cylinder	40	G67-1	17520	Screw
20	129	3525	Plug (2)	41	385	11520	Seal (2)
21	253	9435	Pin	42	388	11855	Plug (2)



REV. 7-1-68

USE NEW PART NUMBER ONLY WHEN ORDERING PARTS

Order parts from the nearest Hein-Werner Official Service Station. Always state both model and serial number.

USE ONLY GENUINE HEIN-WERNER HYDRAULIC JACK OIL IN ANY HEIN-WERNER JACK

HEIN-WERNER CORPORATION

PRINTED IN U.S.A.

WAUKESHA, WISCONSIN — AJAX, ONTARIO