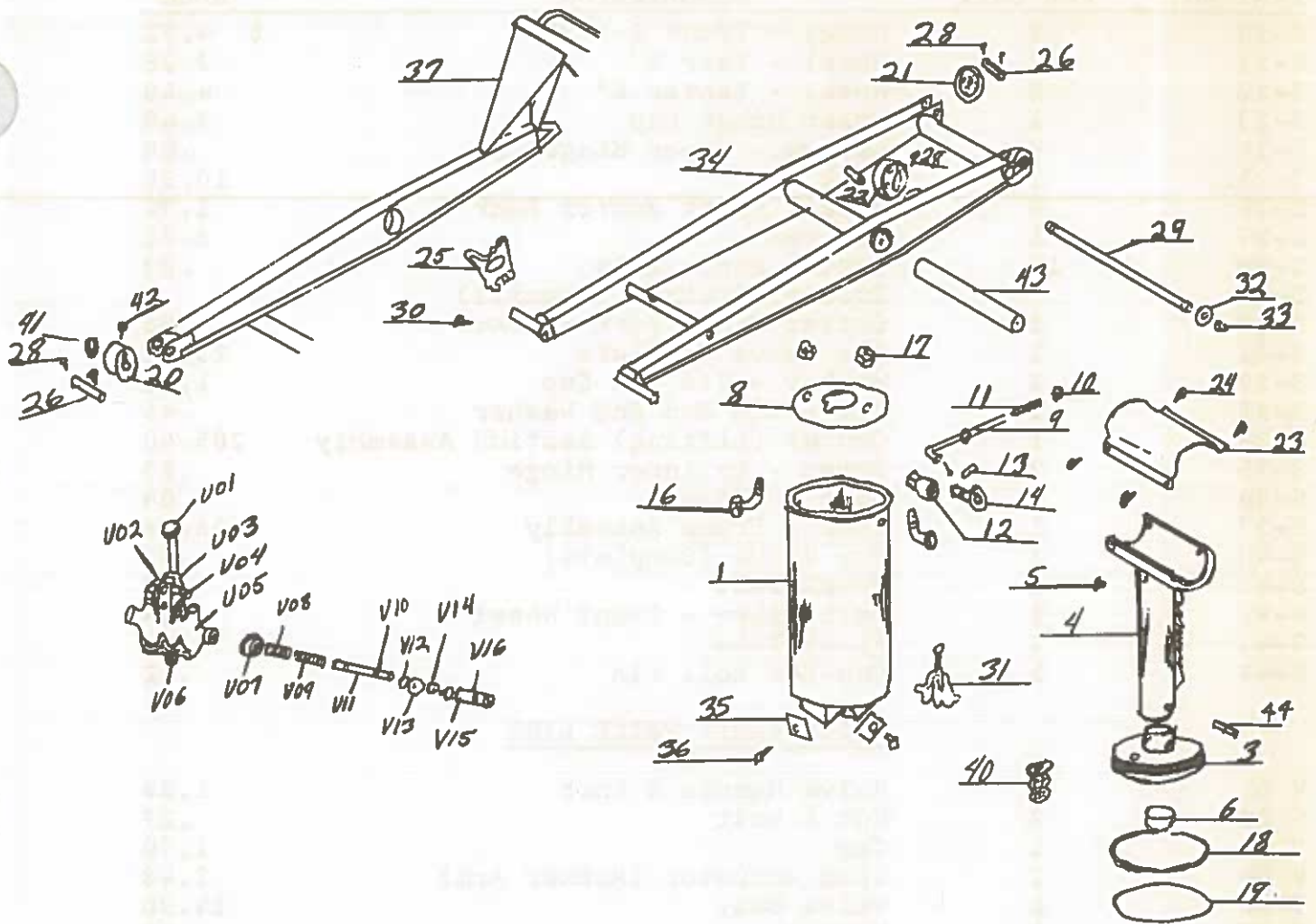


AL-35 PARTS PRICE LIST



Part No.	No. Pcs. Per Unit	Description	Price Each
S-1	1	Cylinder	\$ 42.27
S-2	1	Cylinder Assembly (Cylinder, head, con-rod, piston rings, etc.)	140.55
S-3	1	Piston	48.48
S-4	1	Connecting Rod	37.39
S-5	1	Plug - Con-Rod	.05
S-6	1	Felt Plug - Con-Rod	.08
S-7	1	Con-Rod, Piston, Head Assembly	123.76
S-8	1	Head	46.91
S-9	1	Release Rod	1.27
S-10	1	Knob - Release Rod	.57
S-11	1	Spring - Release Rod	.20
S-12	1	Safety Dog	1.97
S-13	1	Roll Pin - Dog Assembly	.05
S-14	1	Dog Crank Assembly	1.32
S-16	2	Bolts	1.16
S-17	2	Nuts	.08
S-18	1	Oil Ring	.22
S-19	1	"O" Ring	2.57

PART NO.	NO. PCS. PER UNIT	DESCRIPTION	PRICE EACH
S-20	2	Wheel - Front 3-1/2"	\$ 4.71
S-21	2	Wheel - Rear 5"	3.26
S-22	2	Wheel - Center 6"	4.58
S-23	1	Upper Hinge Cap	3.49
S-24	4	Screws - Upper Hinge Cap	.04
S-25	2	Fork	10.35
S-26	4	Axle - Front and/or Rear	1.72
S-27	1	Tie Bar	3.72
S-28	10	Cotter Pin - Axle	.03
S-29		Grease Fittings (Alemite)	
S-30	2	Cotter Pin - Fork Bracket	.03
S-31	1	Air Valve Complete	23.92
S-32	2	Washer - Tie Rod End	1.00
S-33	2	Nut - Tie Rod End Washer	.45
S-34	1	Center (Lifting) Section Assembly	205.40
S-35	2	Strap - Cylinder Hinge	.53
S-36	2	Bolt - Strap	.04
S-37	1	Side - Frame Assembly	105.28
S-40	1	Pop Valve (Complete)	4.03
S-41	2	Wheel Felt	.04
S-42	2	Ball Oiler - Front Wheel	.14
S-43	1	Pivot Tube	22.48
S-44	1	Con-Rod Roll Pin	.12

VALVE PARTS PRICE LIST

V 01	1	Valve Handle & Knob	1.39
V 02	2	Nut & Bolt	.27
V 03	1	Cam	1.70
V 04	2	Stem Actuator (Rocker Arm)	2.43
V 05	1	Valve Body	14.30
V 06	1	Nipple	.13
V 07	2	Valve Cap	2.29
V 08	2	Valve Spring (Outer)	.40
V 09	2	Valve Spring (Inner)	.35
V 10	4	Valve Stem "O" Ring (Inner)	.40
V 11	2	Valve Stem (Inner)	1.39
V 12	2	Disc Cage Lock Nut	.49
V 13	2	Valve Disc Cage	.78
V 14	2	Valve Disc	.55
V 15	2	Valve Stem (Outer)	2.69
V 16	2	Valve Stem "O" Ring (Outer)	.43

DEALER PRICE EFFECTIVE AUGUST 1, 1960

PRICES SUBJECT TO CHANGE WITHOUT NOTICE

PRICES ARE F.O.B. WAUKESHA

AL35-1 PARTS LIST

<u>PART NO.</u>	<u>DESCRIPTION</u>	<u>DEALER PRICE</u>
K18.58	Cotter Pin	\$.07
E859.183	Release Rod Spring	.46
J231.149	Safety Release Rod	8.10
J230.041	"O" Ring	7.27
J128.040	Piston	59.52
J129.020	End Cap	66.79
J214.626	Lifting Pad Weldment	39.33
J213.626	Saddle Weldment	60.38
J220.017	Spring Clip	1.10
E870.020	Valve End Cap	4.78
E871.183	Valve Spring	.74
E872.055	Valve Nut	.55
E873.071	Valve Disc	1.01
E874.071	Valve Disc	.74
B710.503	"O" Ring	.09
E877.010	Spindle	1.56
E876.183	Valve Spring	.74
B744.503	"O" Ring	.18
E878.580	Valve Body	23.00
E879.028	Valve Bolt	1.10
E880.350	Valve Cam	2.39
E881.157	Valve Lever	.74
E882.308	Valve Knob	1.29
E883.103	Rocker Arm	2.94
E885.055	Valve Nut	.37
B858.003	Drive Screw	.07
J154.096	Alemite Fitting	.32
K19	Valve Assembly	34.95

<u>PART NO.</u>	<u>DESCRIPTION</u>	<u>DEALER PRICE</u>
J252.110	Spring	\$.83
J240.026	Decal	.75
E851.106	Wheel Rear (Neoprene)	23.00
E861.061	Cotter Pin	.09
E189.108	Washer	.32
J150.106	Wheel (Front)	6.81
J239.104	Shaft	11.41
E868.061	Cotter Pin	.09
J135.104	Shaft	14.81
J227.900	Cylinder & Piston Rod Assembly	233.36
J197.900	Main Frame & Lift Arm Assembly -	Not available as repair part
J198.900	Main Frame Assembly	Not available as repair part
J199.900	Lift Arm Assembly	Not available as repair part
J229.900	Piston Rod Assembly	68.75
J228.900	Cylinder Assembly	50.60
J143.817	Safety Latch	7.82
FZ1608	1/4" Nipple	.55
J168.291	90° Street Elbow	2.21
S8.222	Washer	.07
E856.028	Bolt	.16
J232.061	Latch-Pin	3.96
J134.104	Front Axle	9.20

All prices are subject to change without notice. All prices are F.O.B. Waukesha, Wisconsin. Dealer Net Prices, effective November 1, 1968.

AL35-1 PARTS LIST

<u>Part No.</u>	<u>Description</u>	<u>Dealer Price</u>
K18.58	Cotter Pin	\$.15
E859.183	Release Rod Spring	.50
J231.149	Safety Release Rod	4.05
J230.041	"O" Ring	6.25
J128.040	Piston	52.10
J129.020	End Cap	50.05
J214.626	Lifting Pad Weldment	11.70
J213.626	Saddle Weldment	60.40
J220.017	Spring Clip	.20
E870.020	Valve End Cap	1.90
E871.183	Valve Spring	.75
E872.055	Valve Nut	.60
E873.071	Valve Disc	.75
E874.071	Valve Disc	.55
B710.503	"O" Ring	.40
E877.010	Spindle	1.05
E876.183	Valve Spring	.60
B744.503	"O" Ring	.40
E878.580	Valve Body	16.45
E879.028	Valve Bolt	.80
E880.350	Valve Cam	2.45
E881.157	Valve Lever	.75
E882.308	Valve Knob	.75
E883.103	Rocker Arm	1.65
E885.055	Valve Nut	.40
B858.003	Drive Screw	.05
J154.096	Alemite Fitting	.35
K19	Valve Assembly	30.40
J232.110	Spring	.75
J240.026	Decal	.75
E851.106	Wheel Rear (Neoprene)	16.05
E861.061	Cotter Pin	.15
E189.108	Washer	.40
J150.106	Wheel (Front)	5.00
J239.104	Shaft	4.25
E868.061	Cotter Pin	.15
J135.104	Shaft	10.30
J227.900	Cylinder & Piston Rod Assembly	233.35
J197.900	Main Frame & Lift Arm Assembly	Not available as repair part
J198.900	Main Frame Assembly	Not available as repair part
J199.900	Lift Arm Assembly	Not available as repair part

AL35-1 Parts List

<u>Part No.</u>	<u>Description</u>	<u>Dealer Price</u>
J229.900	Piston Rod Assembly	\$ 68.75
J228.900	Cylinder Assembly	131.90
J143.817	Safety Latch	3.95
FZ1608	1/4" Nipple	.50
J168.291	90° Street Elbow	1.85
S8.222	Washer	.10
E856.028	Bolt	.20
J232.061	Latch-Pin	.35
J134.104	Front Axle	8.25

All prices are subject to change without notice. All prices are F.O.B. Waukesha, Wisconsin. Dealer net prices, effective August 25, 1967.

HEIN-WERNER CORPORATION

PRINTED IN USA

WAUKESHA, WISCONSIN