



**Model WS**

**Model WSR**

**Model WSR**

Part Code H05275

Part Code H63195

Part Code H05223

1-1/2 Ton (1361 Kg.) Capacity

1-1/2 Ton (1361 Kg.) Capacity

# INSTRUCTION MANUAL REPAIR PARTS LIST



**WARNING**



1. THIS IS A LIFTING DEVICE ONLY. LOAD MUST BE SUPPORTED BY OTHER APPROPRIATE MEANS BEFORE GETTING UNDER VEHICLE FOR ANY REASON.
2. DO NOT OVERLOAD. OVERLOADING CAN CAUSE DAMAGE TO OR FAILURE OF THE JACK.
3. THIS JACK IS DESIGNED FOR USE ONLY ON HARD LEVEL SURFACES CAPABLE OF SUSTAINING THE LOAD. USE ON OTHER THAN HARD LEVEL SURFACES CAN RESULT IN JACK INSTABILITY AND POSSIBLE LOSS OF LOAD.
4. FAILURE TO HEED THESE CAUTIONS MAY RESULT IN LOSS OF LOAD, DAMAGE TO JACK AND/OR FAILURE RESULTING IN PERSONAL INJURY OR PROPERTY DAMAGE.

## OWNER'S RESPONSIBILITY

**Operation.** The owner and/or operator shall have an understanding of these operating instructions and warnings before operating the jack. Warning information shall be emphasized and understood. If the user is not fluent in English, the instructions and warnings shall be read to and discussed with the operator in the operator's native language by the purchaser/owner, making sure that the operator comprehends its contents.

**Maintenance.** The jack shall be maintained in accordance with instructions listed under "Maintenance."

### Inspection

1. Visual inspection shall be made before each use of the jack, checking for leaking hydraulic fluid, and damaged, loose or missing parts.
2. Each jack, if subjected to an abnormal load or shock, shall be inspected immediately by an authorized Hein-Werner/CF Industrial service center.
3. Owners and/or users should be aware that repair of this equipment may require specialized knowledge and facilities. It is recommended that an annual inspection of the jack be made by an authorized service center and that any defective parts, decals or warning labels be replaced with genuine Hein-Werner/CF Industrial parts. A list of authorized service centers is available upon request.

**Damaged Jacks.** Any jack which appears to be damaged in any way, is found to be badly worn, or operates abnormally SHALL BE REMOVED FROM SERVICE until necessary repairs are made by an authorized service center.

## SPECIFICATIONS

Saddle low point	4-3/4"
Saddle high point	20-1/4"
Length of chassis	28-3/8"
Length of handle	49-1/2"
Overall length	72-3/8"
Frame height	6"
Dia. of saddle	7-7/16"
Dia. of front wheels	3-15/16"
Dia. of caster wheels	2-5/8"

## INSTRUCTIONS BEFORE USE

1. Squirt a small amount of hydraulic jack oil or light motor oil on the pump piston so it will run down inside the piston guide.
2. With release valve open, pump handle six full strokes to assure proper internal lubrication.
3. Thoroughly lubricate all moving parts of your jack. Raise the saddle to full height and oil the surface of the ram, as well as all moving parts in the handle and the lifting mechanism.
4. Grease the main pin at the fittings provided on the pivot end of the lifting arm.

## OPERATION

1. **Lifting** - Secure vehicle by blocking wheels. Turn knob at the end of the handle clockwise to close release valve. Center lift saddle under load and pump handle.



**WARNING**



**USE JACK FOR LIFTING ONLY.  
ALWAYS SUPPORT VEHICLE WITH  
VEHICLE SUPPORT STANDS.**

Always center the load on the saddle of your jack. Off-Center loads and loads lifted while jack is not level may damage the jack or cause personal injury.

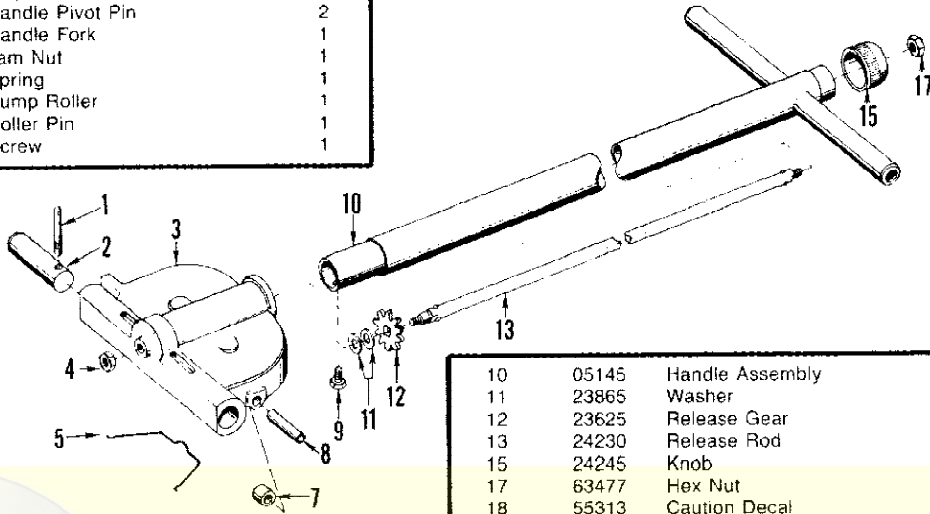
2. **Lowering** - Slowly turn release knob counterclockwise. Avoid "shock loads" created by quickly opening and closing the release knob as the load is being lowered. This may result in overloading of the hydraulic circuit and possible damage to the jack.
3. When jack is not in use, the handle should be in an upright position. Never leave it resting on the pump piston or at the bottom of a stroke. Saddle should be completely lowered and release knob closed.

## MAINTENANCE

1. Use only genuine Hein-Werner/CF Industrial hydraulic jack oil in the unit of your jack. Never use alcohol or hydraulic brake fluid. To check the oil level, remove filler screw on reservoir. With the saddle down, the oil level should just cover the cylinder inside the reservoir. The oil capacity of the reservoir is 7-3/4 ounces.
2. Keep the jack clean and well lubricated. Raise the saddle to full height and oil the surface of the ram often, as well as all moving parts in the handle, the pump piston and the lifting mechanism.

# HANDLE ASSEMBLY (H05130)

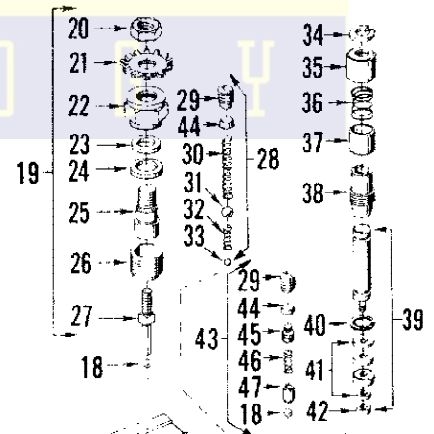
ITEM NO.	PART CODE	DESCRIPTION	REQ'D. QTY.
1	23820	Finger Stud	2
2	23965	Handle Pivot Pin	2
3	24135	Handle Fork	1
4	25480	Jam Nut	1
5	62843	Spring	1
7	23730	Pump Roller	1
8	24085	Roller Pin	1
9	26645	Screw	1



10	05145	Handle Assembly	1
11	23865	Washer	2
12	23625	Release Gear	1
13	24230	Release Rod	1
15	24245	Knob	1
17	63477	Hex Nut	1
18	55313	Caution Decal	1

# UNIT ASSEMBLY (H05321)

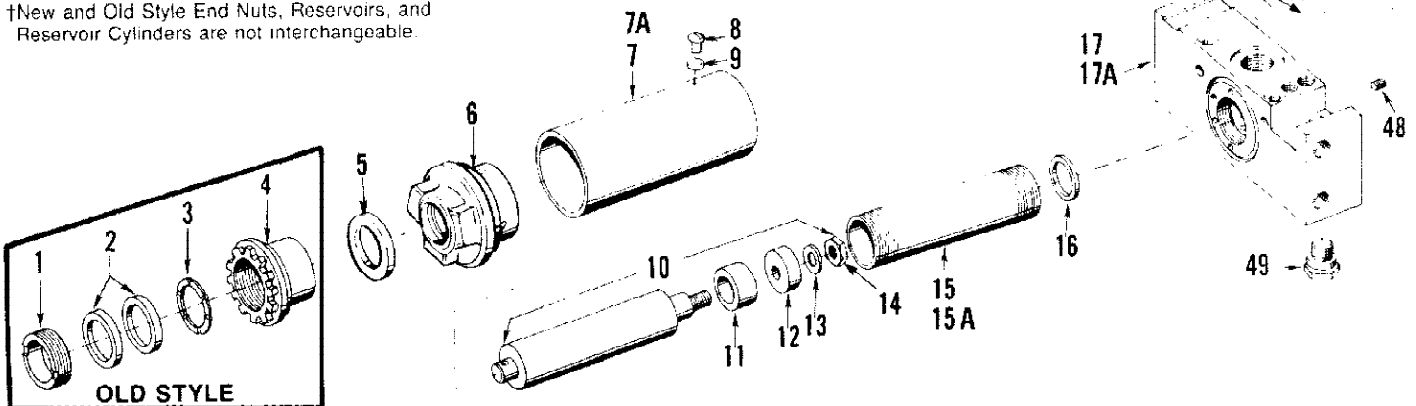
ITEM NO.	PART CODE	DESCRIPTION	REQ'D. QTY.	ITEM NO.	PART CODE	DESCRIPTION	REQ'D. QTY.
1†	24050	Packing Nut (Old Style)	1	23*	24540	Packing	1
2†	13375	Packing (Old Style)	2	24	23860	Thrust Washer	1
3†	24060	Washer (Old Style)	1	25	23690	Release Valve Stud	1
4†	24040	End Nut (Old Style)	1	26	23960	Stop	1
5†	20725	Quad Ring	1	27	65104	Release Valve	1
6†	65523	End Nut	1	28*	80818	Pump Valve	1
7†	24005	Reservoir Tube (Old Style)	1	29	11855	Plug	2
7A†	65516	Reservoir Tube	1	30	23835	Spring	1
8	60141	Filler Screw	1	31	03010	Ball	1
9*	04730	Washer	1	32	02185	Spring	1
10	05095	Ram Assembly	1	33	02675	Ball	1
11	24090	Spacer	1	34	23695	Pin Clip	1
12*	65107	Cup	1	35	23970	Upper Cover	1
13	13260	Washer	1	36	23610	Spring	1
14	18960	Hex Nut	1	37	23985	Lower Cover	1
15†	24010	Cylinder (Old Style)	1	38	23755	Guide	1
15A†	65515	Cylinder	1	39	05248	Piston Assembly	1
16*	16311	O-Ring	1	40	62475	Snap Ring	1
17	23565	Unit Block (Filler Screw in Block)	1	41*	80055	Piston Cup Assembly	1
17A	65725	Unit Block (Filler Screw in Reservoir)	1	42	25480	Hex Nut	1
17B	05303	Unit Body - Corked**	1	43*	80360	Overload Valve Assembly	1
18	17220	Ball	2	44	11520	Valve Seal	2
19	05105	Release Valve Assembly	1	45	17520	Adjusting Screw	1
20	26855	Hex Nut	1	46	16906	Spring	1
21	23660	Valve Gear	1	47	17055	Spring Cap	1
22	23745	Release Valve Box	1	48	03525	Plug	1
				49	24920	Plug	1



\*Unit Repair Kit (Part Code 80747)

\*\*Corked Unit Body includes Items No. 17, 28, 43, 49

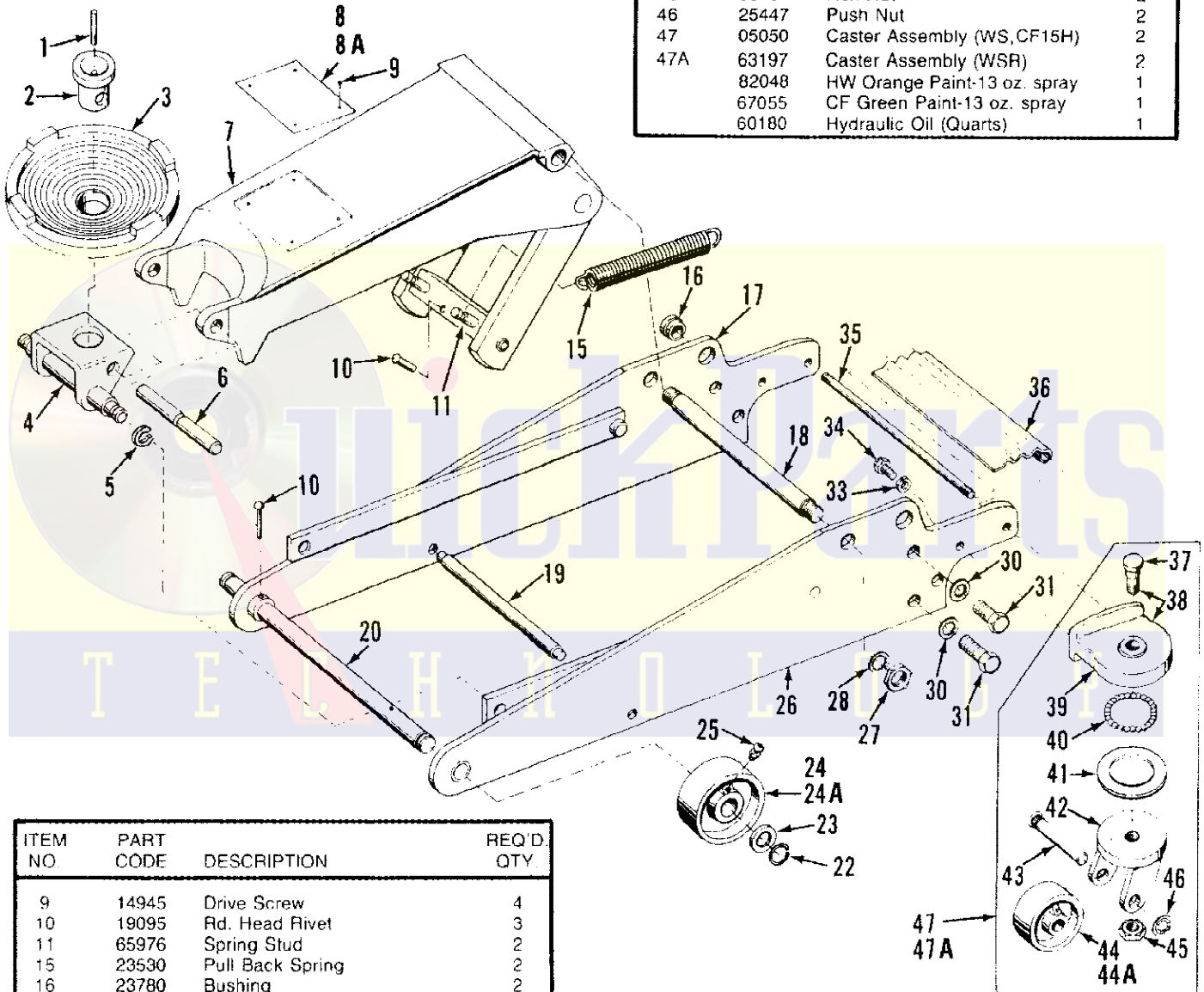
†New and Old Style End Nuts, Reservoirs, and Reservoir Cylinders are not interchangeable.



# FRAME ASSEMBLY

ITEM NO.	PART CODE	DESCRIPTION	REQ'D. QTY.
1	65932	Roll Pin	1
2	65520	Saddle Stud	1
3	65531	Saddle	1
4	65532	Saddle Holder	1
5	16810	Pin Clip	2
6	65517	Saddle Pin	1
7	82101	Lift Arm Assembly	1
8	55290	Nameplate (WS, WSR)	1
8A	55700	Nameplate (CF15H)	1

ITEM NO.	PART CODE	DESCRIPTION	REQ'D. QTY.
37	19340	Caster Stud	2
38	05287	Caster Bracket Assembly	2
39	24180	Bracket	2
40	02630	Balls (Set of 28)	2
41	61962	Retainer	2
42	19460	Fork	2
43	19370	Axle	2
44	61452	Wheel (WS, CF15H)	2
44A	63194	Wheel (WSR)	2
45	65184	Hex Nut	2
46	25447	Push Nut	2
47	05050	Caster Assembly (WS,CF15H)	2
47A	63197	Caster Assembly (WSR)	2
	82048	HW Orange Paint-13 oz. spray	1
	67055	CF Green Paint-13 oz. spray	1
	60180	Hydraulic Oil (Quarts)	1



ITEM NO.	PART CODE	DESCRIPTION	REQ'D. QTY.
9	14945	Drive Screw	4
10	19095	Rd. Head Rivet	3
11	65976	Spring Stud	2
15	23530	Pull Back Spring	2
16	23780	Bushing	2
17	65527	Side Bar Assembly (RH)	1
18	19105	Main Pin	1
19	23955	Tie Rod	1
20	18680	Front Axle	1
22	18610	Snap Ring	2
23	19195	Washer	2
24	10370	Front Wheel (WS, CF15H)	2
24A	63193	Front Wheel (WSR)	2
25	09750	Alemite Fitting	2
26	65526	Side Bar Assembly (LH)	1
27	26110	Jam Nut	2
28	02490	Lockwasher	2
30	02180	Lockwasher	4
31	26766	Bolt	4
33	26385	Lockwasher	2
34	62054	Bolt	2
35	24195	Tie Rod	1
36	24190	Cover	1

Hein-Werner/CF Industrial Service and Service Parts  
are available only through your local  
authorized Hein-Werner/CF Industrial Service Centers.