

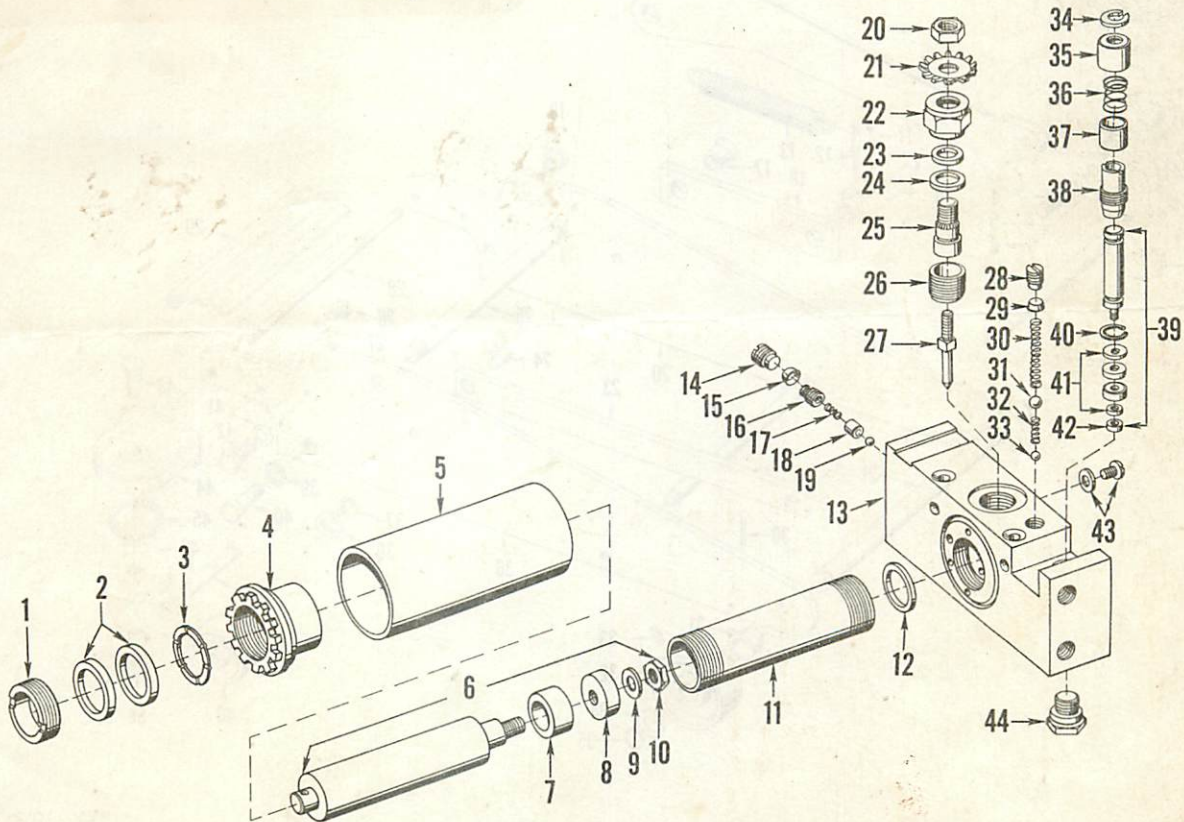
Hein-Werner

MODEL "WS"

HYDRAULIC JACK REPAIR PARTS LIST

UNIT ASSEMBLY

ITEM NO.	PART NO.	DESCRIPTION	ITEM NO.	PART NO.	DESCRIPTION
1	24050	Packing Nut	24	23860	Thrust Washer
2	13375	Packing	25	23690	Stud
3	24060	Washer	26	23960	Stop
4	24040	Top Nut	27	24140	Release Valve
5	24005	Reservoir Tube		80818	Pump Valves
6	5095	Ram Complete	28	11855	Plug
7	24090	Spacer	29	11520	Valve Seal
8	24105	Cup	30	23835	Spring
9	11031	Retainer	31	3010	Ball
10	18960	Hex Nut	32	2185	Spring
11	24010	Cylinder	33	2675	Ball
12	21791	Seal	34	23695	Clip
13	23565	Unit Block	35	23970	Upper Guard
14	11855	Plug	36	23610	Spring
15	11520	Valve Seal	37	23985	Lower Guard
16	17520	Adjusting Screw	38	23755	Guide
17	16906	Spring	39	5248	Piston Assembly
18	17055	Spring Cap	40	25230	Eaton Snap Ring
19	17220	Ball	41	80055	Piston Cup Assembly
20	26855	1/16-18 Hex Jam Nut	42	25480	1/4-28 Reg. Hex Jam Nut
21	23660	Gear, Nut	43	80007	Filler Screw w/washer
22	23745	Release Valve Box	44	24920	Plug
23	24540	Packing			



REV. 10-2-72

Order parts from the nearest Hein-Werner Official Service Station. Always state both model and serial number.

USE ONLY GENUINE HEIN-WERNER HYDRAULIC JACK OIL IN ANY HEIN-WERNER JACK

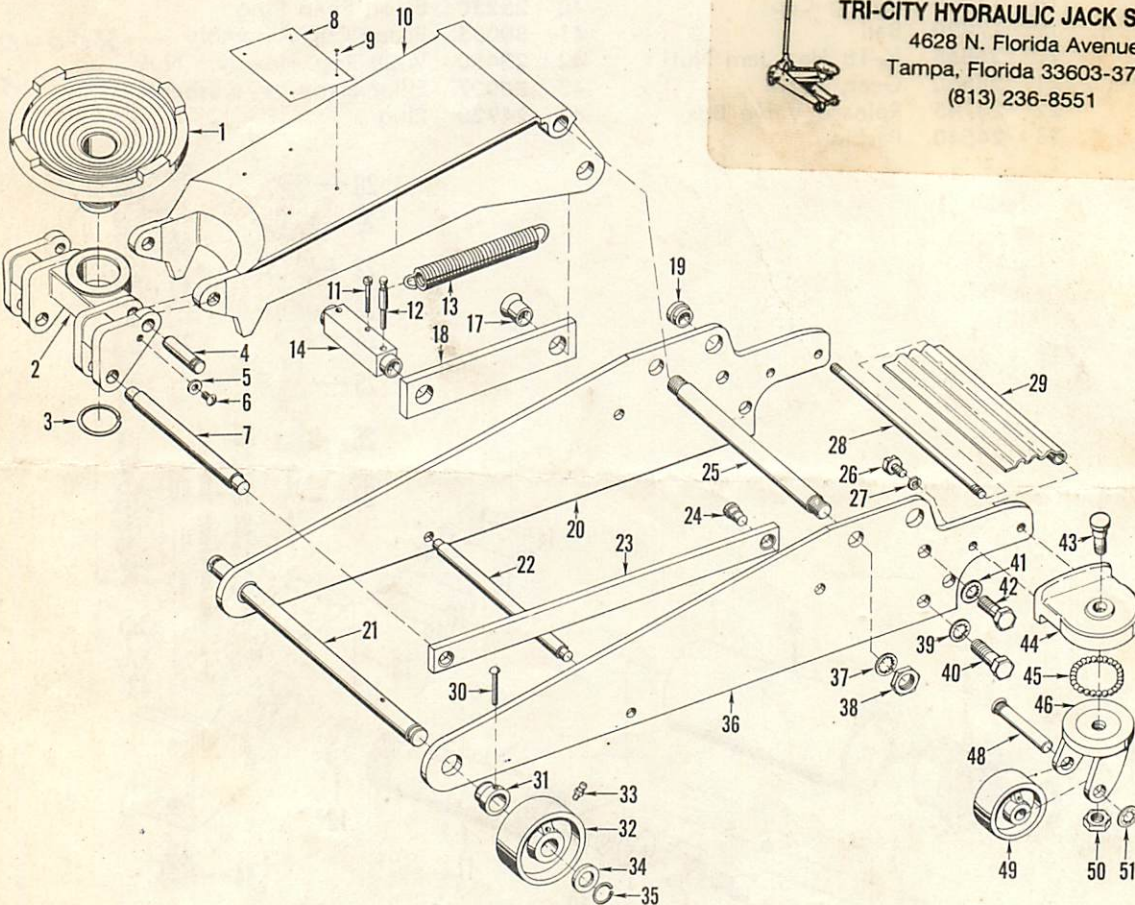
HEIN-WERNER CORPORATION

PRINTED IN U.S.A.

WAUKESHA, WISCONSIN — AJAX, ONTARIO

FRAME ASSEMBLY FOR MODEL "WS"

ITEM NO.	PART NO.	DESCRIPTION	ITEM NO.	PART NO.	DESCRIPTION
1	19275	Saddle w/snap ring	28	24195	Caster Tie Rod
2	19285	Saddle Holder w/2 pins	29	24190	Caster Ext. Cover
3	19235	Snap Ring	30	19095	Rd. Hd. Rivet
4	19295	Saddle Pin	31	18710	Axle Bushing
5	26655	5/16 x 3/4 Washer	32	10370	Front Wheel
6	25620	1/4-28 x 5/16 Rd. Hd. Machine Screw	33	9750	Alemite Fitting
7	23785	Pin	34	19195	Front Wheel Washer
8	55290	Name Plate	35	18610	Front Axle Snap Ring
9	14945	Drive Screw	36	81033	Side Bar Complete L. H.
10	80056	Lift Arm	37	2490	3/4" Lockwasher
11	19095	Rd. Hd. Rivet	38	26110	3/4-16 Hex Jam Nut
12	23550	Spring Stud	39	2180	5/8" Lockwasher
13	23530	Pull Back Spring	40	26760	5/8-18 x 1 1/4 Hex Hd. Cap Screw
14	23570	Cross Pin, 2 rivet & studs	41	2180	5/8" Lockwasher
17	23560	Drag Link Stud	42	26765	5/8-18 x 1 Hex Hd. Cap Screw
18	80057	Drag Link (Set of 2) w/W200		5050	Caster Assembly
19	23780	Bushing (Set of 2)	43	19340	Caster Stud
20	24185	Side Bar, R.H. complete w/W31 & W33-1	44	24180	Bracket
21	18680	Front Axle	45	2630	Balls (Set of 28)
22	23955	Cross Piece	46	19460	Fork
23	23750	Parallel Link w/W33-1	48	19370	Axle w/2 Clips
24	23905	Stud	49	19290	Wheel
25	19105	Main Pin w/nuts & washers	50	17370	Hex Nut
26	19245	Slotted Hd. Cap Screw	51	25447	Push Nut
27	26385	3/8" Lockwasher			



TRI-CITY HYDRAULIC JACK SERVICE

4628 N. Florida Avenue
Tampa, Florida 33603-3700
(813) 236-8551

REV. 10-2-72

Order parts from the nearest Hein-Werner Official Service Station. Always state both model and serial number.

USE ONLY GENUINE HEIN-WERNER HYDRAULIC JACK OIL IN ANY HEIN-WERNER JACK

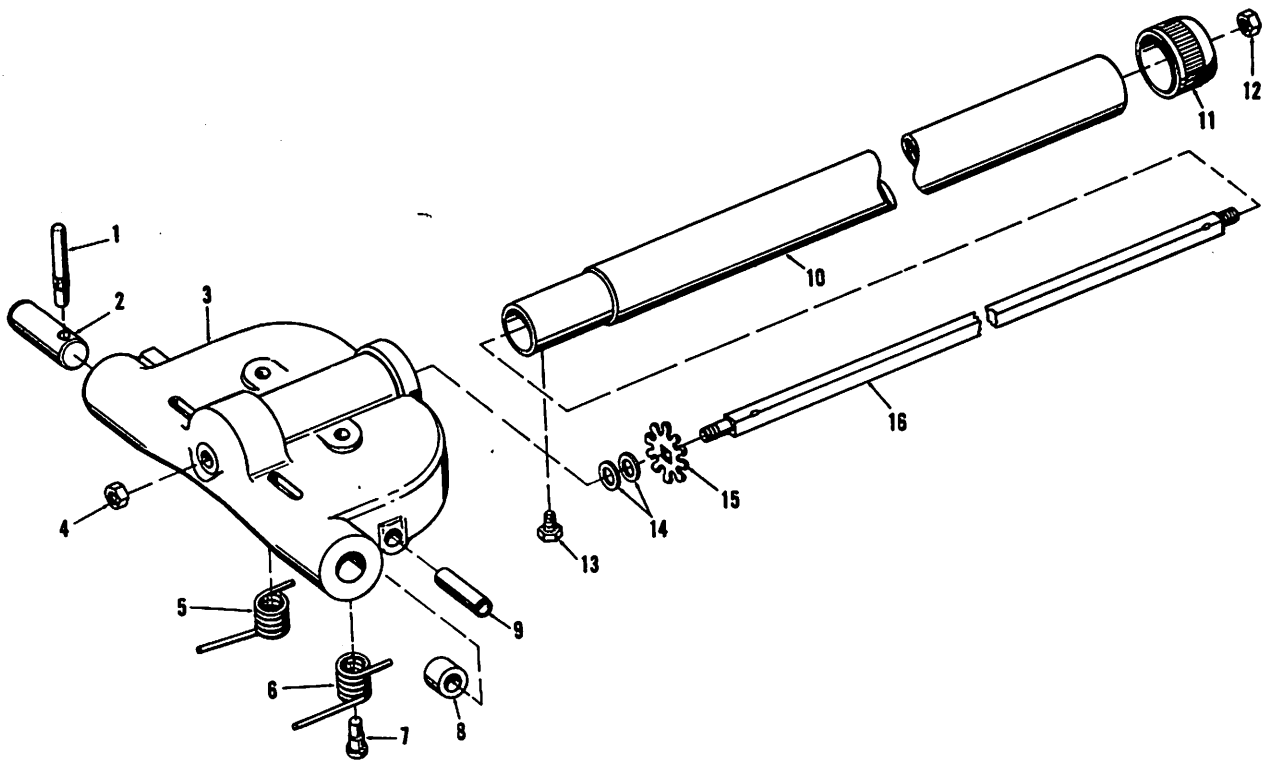
HEIN-WERNER CORPORATION

PRINTED IN U.S.A.

WAUKESHA, WISCONSIN — AJAX, ONTARIO

HANDLE ASSEMBLY FOR MODEL "H102"

ITEM NO.	PART NO.	DESCRIPTION	ITEM NO.	PART NO.	DESCRIPTION
	61668	Handle Assembly	9	24085	Roller Pin
1	23820	Finger Stud	10	24225	Handle Pin
2	23965	Handle Pivot Pin	11	24245	Knob
3	61674	Handle Fork	12	25480	1/4-28 Hex Jam Nut
4	25480	1/4-28 Hex Jam Nut	13	26645	3/8 x 1/2 Self Tap Screw
5	23790	Spring	14	23865	Washer
6	23810	Spring	15	23625	Release Gear
7	23845	Spring Stud	16	24230	Release Rod
8	23730	Pump Roller		55313	Caution Decal



REV. 4-2-71

Order parts from the nearest Guardian Official Service Station. Always state both model and serial number.
USE ONLY GENUINE HYDRAULIC JACK OIL IN ANY GUARDIAN JACK

THE GUARDIAN CO.

PRINTED IN U.S.A.

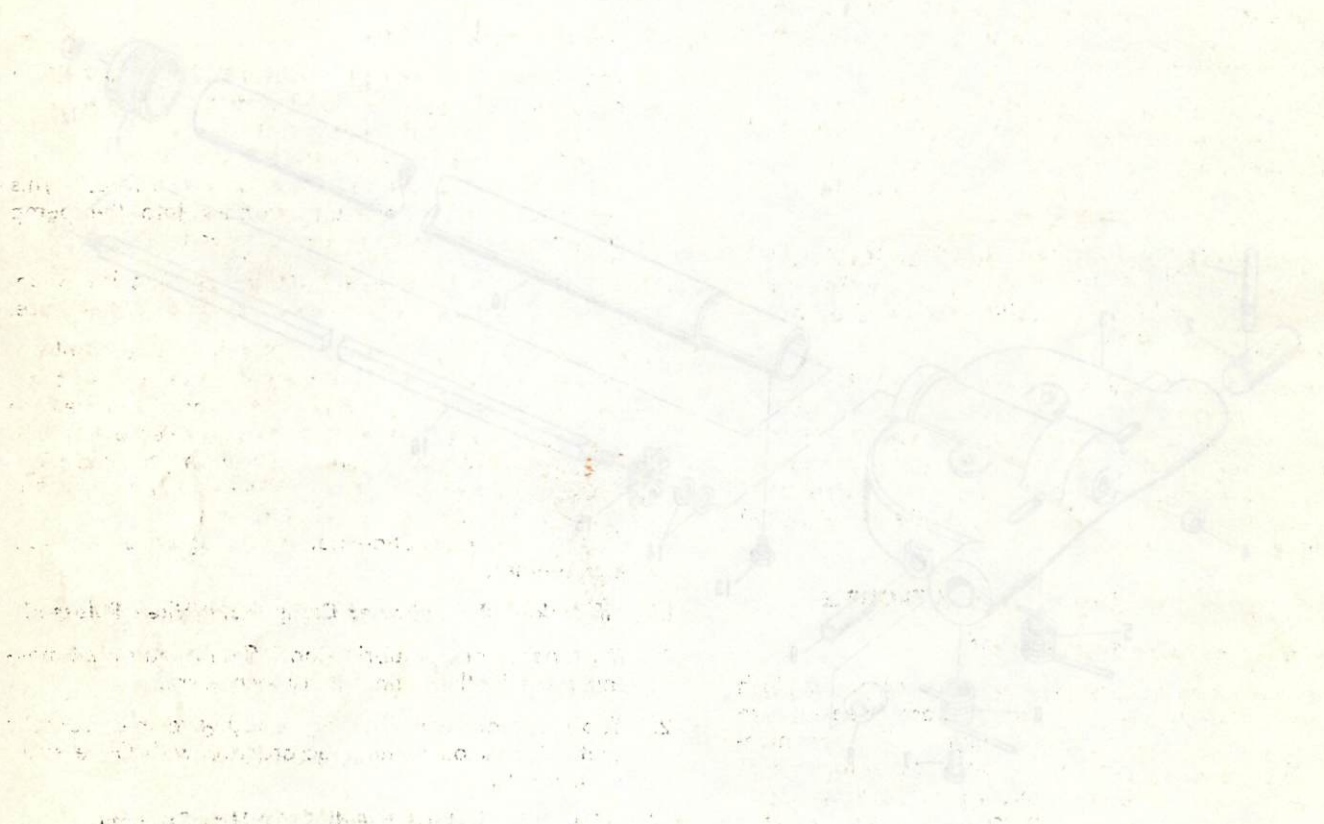
WAUKESHA, WISCONSIN

HANDLE ASSEMBLY FOR MODEL 7110T

ITEM NO.	DESCRIPTION	QTY
1	Roller Pin	2
2	Handle Pin	10
3	Knob	17
4	Washers	12
5	Washers	12
6	Washers	12
7	Washers	12
8	Washers	12
9	Washers	12
10	Washers	12
11	Washers	12
12	Washers	12
13	Washers	12
14	Washers	12
15	Washers	12
16	Washers	12
17	Washers	12
18	Washers	12
19	Washers	12
20	Washers	12

ITEM NO.	DESCRIPTION	QTY
1	Handle Assembly	1
2	Handle Pin	2
3	Handle Pin	2
4	Handle Pin	2
5	Handle Pin	2
6	Handle Pin	2
7	Handle Pin	2
8	Handle Pin	2
9	Handle Pin	2
10	Handle Pin	2
11	Handle Pin	2
12	Handle Pin	2
13	Handle Pin	2
14	Handle Pin	2
15	Handle Pin	2
16	Handle Pin	2
17	Handle Pin	2
18	Handle Pin	2
19	Handle Pin	2
20	Handle Pin	2

Always use the correct oil for your machine. Use only the oil recommended in the operator's manual. Do not use kerosene or other light oils. Do not use motor oil. Do not use hydraulic oil. Do not use any oil that is not recommended by the manufacturer.



Always use the correct oil for your machine. Use only the oil recommended in the operator's manual. Do not use kerosene or other light oils. Do not use motor oil. Do not use hydraulic oil. Do not use any oil that is not recommended by the manufacturer.

Always use the correct oil for your machine. Use only the oil recommended in the operator's manual. Do not use kerosene or other light oils. Do not use motor oil. Do not use hydraulic oil. Do not use any oil that is not recommended by the manufacturer.

USE ONLY GENUINE HYDRAULIC JACK OIL IN ANY GUARDIAN JACK

WILCOX