

OBSOLETE, SOME PARTS STILL AVAILABLE KIT NO 82058, ALL SOFT SEALS ONLY.

Hein-Werner

MODEL 74
Part Code 65188 — ½ Ton Capacity

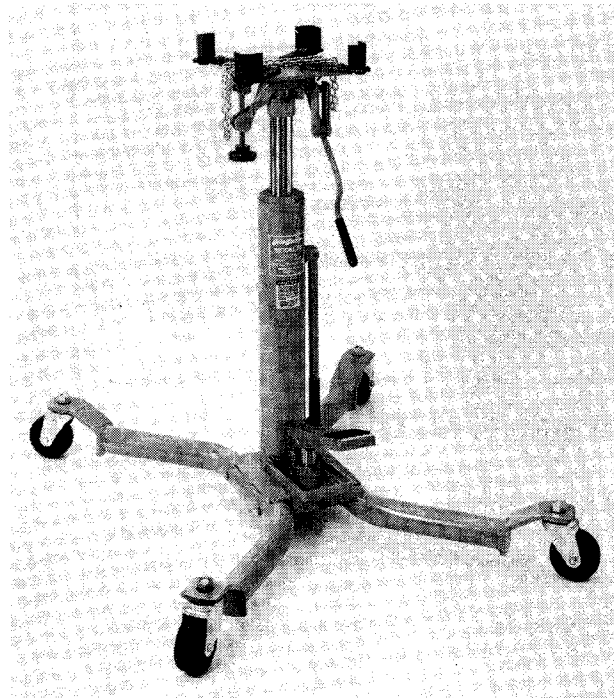
INSTRUCTION MANUAL

WARRANTY

OPERATION

MAINTENANCE

PARTS SHEET



Warranty to Commercial Customers

Hein-Werner warrants its products to be free from defects in materials and workmanship for a period of 90 days from the date of original sale to user. Any product proved to Hein-Werner's satisfaction to be defective during that 90-day period will be repaired or replaced, at Hein-Werner's option, if returned to the nearest official service station, transportation charges prepaid. A full and complete explanation of the complaint, and proof of purchase date, must accompany the product. Hein-Werner's sole obligation and buyer's exclusive remedy under this warranty is limited to such repair or replacement.

HEIN-WERNER SHALL NOT BE LIABLE FOR ANY CONSEQUENTIAL, INCIDENTAL OR SPECIAL DAMAGES INCLUDING BUT NOT LIMITED TO LOSS OR DAMAGE RESULTING FROM USE OR LOSS OF USE OF HEIN-WERNER PRODUCTS WHATSOEVER, WHETHER BASED ON BREACH OF CONTRACT, BREACH OF WARRANTY, NEGLIGENCE OR OTHER TORT, OR ANY STRICT LIABILITY THEORY.

This warranty does not apply to products subjected to accident, damage by circumstances beyond Hein-Werner's control, improper operation, maintenance or storage, or to other than normal application, use or service.

THIS WARRANTY IS IN LIEU OF ALL OTHER WARRANTIES, EXPRESS OR IMPLIED, INCLUDING, BUT NOT LIMITED TO, THE IMPLIED WARRANTIES OF MERCHANTABILITY AND FITNESS FOR A PARTICULAR PURPOSE.

HEIN-WERNER CORPORATION
1200 National Avenue
Waukesha, Wisconsin 53187



CAUTION



1. ALWAYS POSITION JACK SO WEIGHT OF LOAD IS EQUALLY DISTRIBUTED ON SADDLE. OFF-CENTER LOADS CAN RESULT IN JACK INSTABILITY AND POSSIBLE LOSS OF LOAD.
2. ALWAYS USE LOAD RESTRAINT CHAIN TO SECURE LOAD ON SADDLE.
3. DO NOT EXCEED RATED CAPACITY OF JACK.
4. THIS JACK IS DESIGNED FOR USE ONLY ON HARD LEVEL SURFACES CAPABLE OF SUSTAINING THE LOAD. USE ON OTHER THAN HARD LEVEL SURFACES CAN RESULT IN JACK INSTABILITY AND POSSIBLE LOSS OF LOAD.
5. FAILURE TO HEED THESE CAUTIONS MAY RESULT IN LOSS OF LOAD, DAMAGE TO JACK AND/OR FAILURE RESULTING IN PERSONAL INJURY OR PROPERTY DAMAGE.

OWNER'S RESPONSIBILITY

Operation

The owner must provide that all users understand the manufacturer's operating instructions before operating the jack. He must emphasize all cautionary information.

Maintenance

The owner must verify that the jack is maintained according to the manufacturer's instructions.

Inspection

1. The owner must inspect, or appoint a knowledgeable person to inspect the jack at regular intervals.
2. Frequency of Inspection - each jack must be inspected immediately if subjected to an abnormal load or shock. Regular inspections should be made weekly for daily use and monthly for intermittent use.
3. Damaged jacks - any jack which appears to be damaged in any way, is deemed badly worn, or operates abnormally **MUST BE REMOVED FROM SERVICE** until necessary repairs are made.
4. Users should be aware that repair of this equipment may require specialized knowledge and facilities. It is recommended that a periodic inspection of the jack be made by an authorized repair facility. A list of authorized repair facilities is available from the manufacturer.

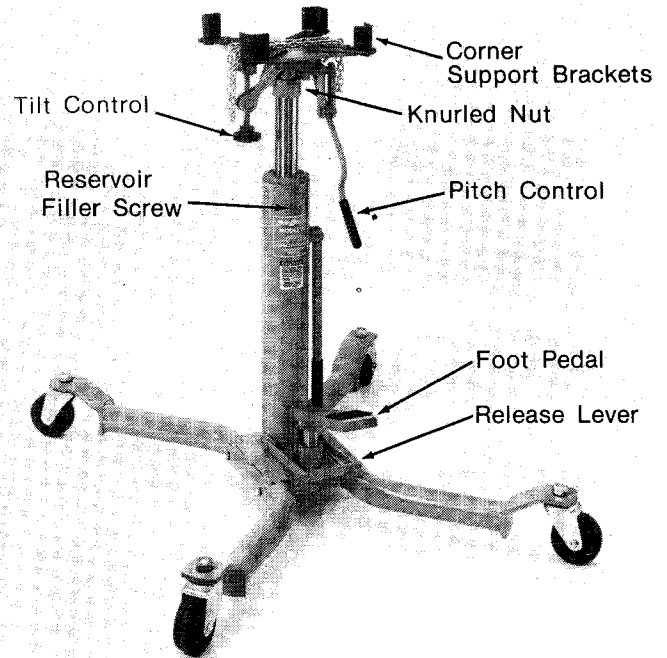
SPECIFICATIONS

Capacity	1000 lbs (454 kg)
Low pickup height	32"
Max height	73-5/8"
Wheel-base	35-1/2" x 31"
Wheel diameter	4"
Front tilt	25°
Rear tilt	15°
Side tilt	12° Left or Right
Weight	125 lbs
Replacement unit	U-74 (Part Code 64661)

FEATURES

The Model 74 high lift transmission jack is ideally suited for under-hoist removal and installation of all passenger car and light truck transmissions, as well as front wheel drive transaxles.

This 2 stage telescoping jack is completely foot operated for raising and lowering to keep the operator's hands free for positioning. Automatic overload protection guards against equipment damage.



ASSEMBLY

1. Before using jack for the first time, some assembly is required. Place hydraulic unit in upright position and bolt legs to base using (4) 3/8-16 x 3" bolts and lockwashers provided with jack. (See above photo.)
2. Assemble casters to legs.
3. Remove reservoir filler screw and replace with vented filler screw. Note: Jack will not operate properly unless vented screw is used.

INSTRUCTIONS BEFORE USE

1. Remove filler screw and check oil level - it should be up to the hole. Fill if necessary with clean Hein-Werner hydraulic jack oil.
2. Many jacks become "airbound" in transit. Before using jack for the first time, it may be necessary to bleed the hydraulic system.

Bleeding the pump - With the release lever depressed, pump pedal several times to expel excess air from the piston area. It should then be possible to raise the rams with normal foot pedal action.

Bleeding the rams - Pump the rams up until they are completely extended by slowly actuating the foot pedal. Then loosen the knurled nut on top of the first stage ram. Air will escape as the saddle slowly comes down. When oil begins to seep out of the knurled nut, tighten the nut hand tight.

OPERATING INSTRUCTIONS

1. **Lifting** - Pump pedal to raise saddle to contact transmission or transaxle. Position jack so weight of load will be equally distributed on saddle, and adjust pitch and tilt controls as necessary. Position corner support brackets and secure load with Load Restraint Chain.

CAUTION

Always use the Load Restraint Chain which is provided to stabilize and firmly secure the load to the saddle. The chain should be used as follows: Place the chain over the load, pull taut and engage into slot on opposite side of saddle. Tighten wing nut.

2. **Lowering** - To lower jack --- step down on release lever. The release lever is metered so operator can control the rate of descent.

3. Saddle Controls

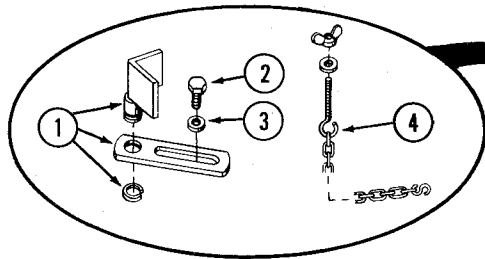
Pitch - The forward and rear tilt "knob" will pitch saddle 25° forward and 15° rearward - a total of 40°.

Tilt Control - The side tilt knob tilts saddle 12° left or 12° right.

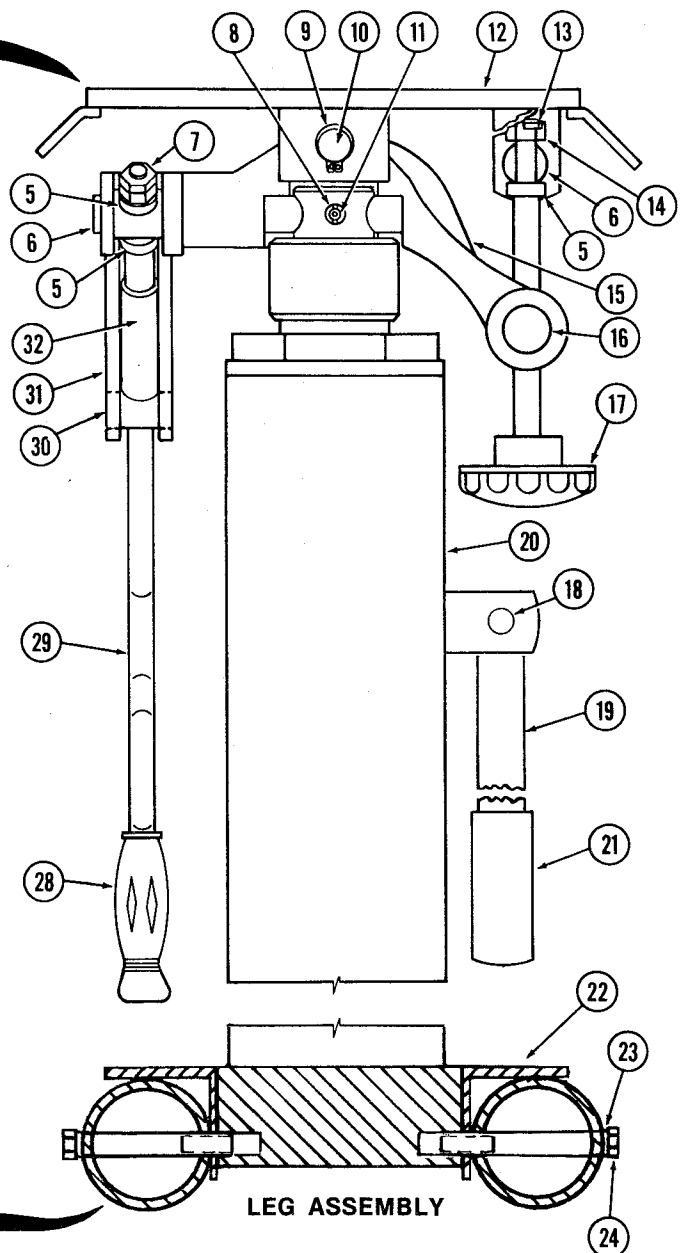
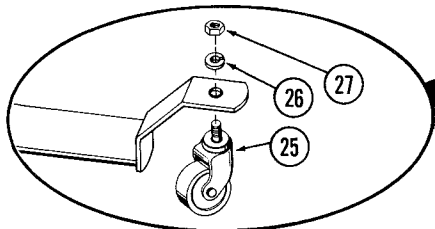
MAINTENANCE

1. Lubricate regularly all moving parts of the jack - pay special attention to the tilt screws and related linkages.
2. Regularly check oil level. With the saddle fully down, the oil level should be up to the filler screw hole. Use only genuine Hein-Werner hydraulic jack oil in the pump unit. **Do not use hydraulic brake fluid.**
3. If jack fails to operate - check oil level and/or bleed unit before seeking service at an Authorized Hein-Werner Service Center.

MODEL 74 CHASSIS ASSEMBLY



ITEM NO.	PART CODE	DESCRIPTION	QTY
1	07530	Corner Bracket	4
2	26240	Bolt 3/8-16 X 5/8	4
3	25245	Flat Washer	4
4	21450	Chain	1
5	21635	Collar	3
6	21180	Pin	2
7	26171	Jam Nut	2
8	26635	Rollpin (.312 X 1.50)	1
9	21755	Retaining Ring	2
10	21460	Pin	1
11	26055	Rollpin (.187 X 1.50)	1
12	07685	Saddle	1
13	26086	Cotter Pin	1
14	26164	Slotted Hex Nut	1
15	21170	Tilt Housing	1
16	21165	Pin	1
17	62014	Tilt Control Screw	1
18	26640	Rollpin (.31 X 1.25)	1
19	21040	Handle	1
20	65191	Hydraulic Unit Assy.	1
21	13830	Handle Grip	1
22	65195	Leg Assembly	2
23	02095	Lockwasher (3/8")	4
24	64297	Bolt (3/8-16 X 3)	4
25	21020	Caster	4
26	02490	Lockwasher	4
27	26109	Nut 3/4-16	4
28	09330	Handle Grip	1
29	62013	Pitch Control	1
30	21205	Pitch Pivot Pin	1
31	07695	Pitch Pin Weldment	1
32	21251	Spacer	1
33	65223	74 Decal (Not Shown)	1



Hein-Werner Service and Service Parts are available only through your local authorized Hein-Werner Service Center.

MODEL 74 HYDRAULIC UNIT ASSEMBLY

Hein-Werner Service and Service Parts are available only through your local authorized Hein-Werner Service Center.

ITEM	PART CODE	DESCRIPTION	QTY
1	65192	Base Weldment	1
2	65218	Bearing	1*
3	64957	Retaining Ring	1*
4	65216	Bearing	1*
5	65208	Bearing Spacer	1
6	65207	Bearing Spacer	1
7	65219	Bearing Sleeve	1*
8	21225	Top Nut	1
9	21150	Knurled Nut	1
10	65217	Bearing Sleeve	1*
11	65202	Ram Plunger	1
12	16350	O-Ring	**2*
13	16353	O-Ring	1*
14	21250	Wiper Nut	1
15	16490	O-Ring	1*
16	16365	O-Ring	1*
17	04855	Washer	1
18	25620	Rd. Hd. Machine Screw	1

ITEM	PART CODE	DESCRIPTION	QTY
18A	21235	Filler Screw (Vented)	1
19	65199	Moving Cylinder	1
20	65200	Stationary Cylinder	1
21	65193	Reservoir Weldment	1
22	63028	Spring	2
23	61995	Pin	**2
24	21747	Retaining Ring	**4
25	64465	Rollpin (.312 x 2")	1
26	14850	Rollpin (.187 x 2")	1
27	62025	Foot Pedal	1
28	62044	Pad	1
29	62385	Bolt (1/4-20 X 1.75)	1
30	62002	Pump Pedal Link	2
31	25790	Lockwasher	4
32	62382	Spacer	4
33	65205	Release Stem	1
34	16257	O-Ring	**1
35	65206	Release Spacer	**1
36	61922	Plug	1
37	02675	Ball	**1
38	63149	Spring	**1
39	25935	Plug	**3
40	25466	Bolt (1/4-20 X .75)	2
41	65194	Release Lever	1
42	65203	Pump Piston	1
43	65220	Rod Wiper	**1
44	16311	O-Ring	**1
45	65197	Top Nut	1
46	65198	Pump Cylinder	1
47	65190	Hydraulic Cartridge Assy.	1
48	65661	Unit Assembly (Items 1-47)	1
82060		Pump Repair Kit (All Above Items Marked **)	
82059		Ram Repair Kit (All Above Items Marked *)	
60180		Quart - Hydraulic Oil	
82048		12 oz Can of Hein-Werner Orange Aerosol	

