

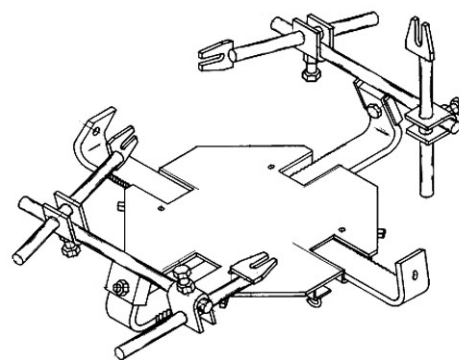
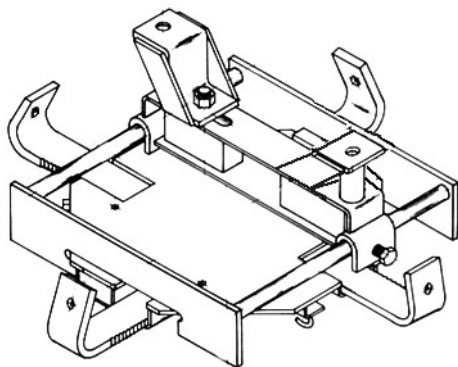


# Transmission Jack Adapters

## Operating Instructions & Parts Manual

Model Number  
HW93721

1. Transmission / Transfer Case Assembly Adapter
2. Multi-Purpose Adapter



This is the safety alert symbol. It is used to alert you to potential personal injury hazards. Obey all safety messages that follow this symbol to avoid possible injury or death.

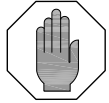
SFA Companies  
10939 N. Pomona Ave. Kansas City, MO 64153  
816-891-6390 [customerservices@heinwerner-automotive.com](mailto:customerservices@heinwerner-automotive.com)

**READ THIS MANUAL CAREFULLY AND RETAIN FOR YOUR RECORDS**

# IMPORTANT!

YOU MUST READ AND UNDERSTAND ALL INSTRUCTIONS, CAUTIONS AND WARNINGS CONTAINED IN THIS MANUAL BEFORE USING THESE TRANSMISSION JACK ADAPTERS.

## 1. Warning Symbol



**WARNING**

This symbol is used to warn you when specific procedures must be followed using the transmission jack adapters.

**FAILURE TO OBSERVE THESE WARNINGS MAY RESULT IN PERSONAL INJURY AND/OR PROPERTY DAMAGE.**

2. You must make this manual available to all personnel using Hein-Werner Transmission Jack Adapters at your direction. They must read and understand the contents of this manual. If language barriers or other limitations require, the owner or manager must read and explain the contents of this manual as necessary to insure that all such persons are aware of the proper procedures for use of these adapters.

3. Retain this manual. Make it available to all person in need of the information contained herein.

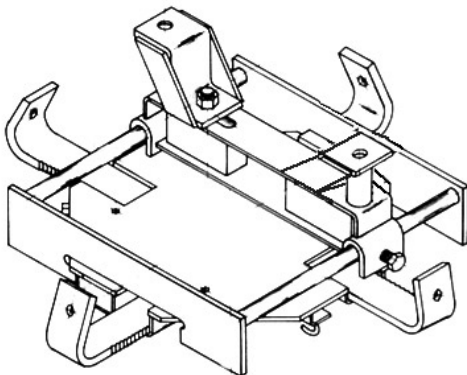
## OWNERS MANUAL

Two different sets of adapter are available for use with the Hein-Werner HW93720 Transmission Jack. This jack has a basic lift platform adequate to support most transmissions within the jack capacity range. However, the mechanic will find many jobs can be completed more quickly and easily with these special adapters.

### TRANSMISSION / TRANSFER CASE ASSEMBLY ADAPTERS

(Page 3)

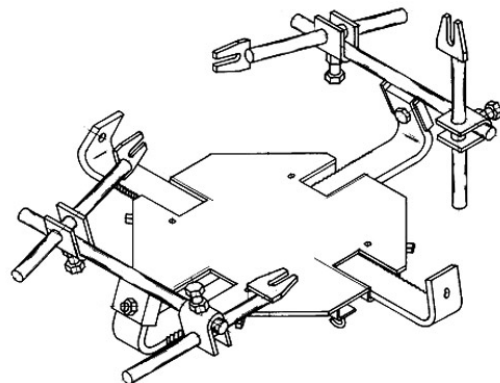
For 4-wheel drive transmission and transfer case assemblies



### MULTI-PURPOSE ADAPTERS

(Page 6)

For front wheel drive transaxles and other awkward or bulky transmissions



# TRANSMISSION / TRANSFER CASE ASSEMBLY ADAPTERS

The Transmission / Transfer Case Assembly Adapters consist of the components illustrated below. THEY ARE DESIGNED FOR USE ON THE HEIN-WERNER HW93720 TRANSMISSION JACK ONLY.

## PARTS DIAGRAM

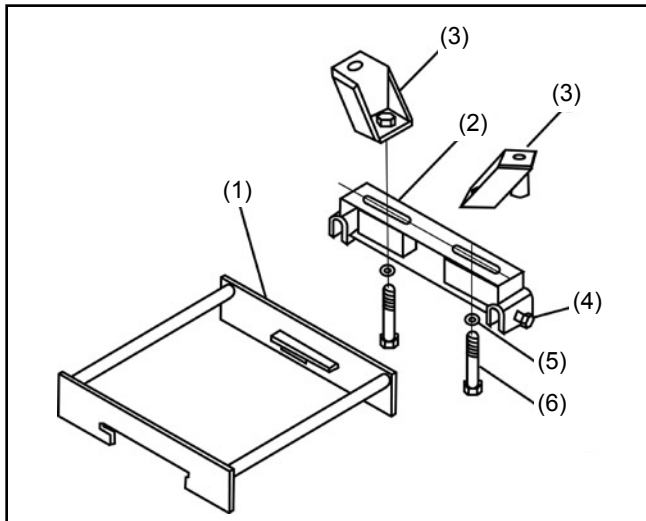


Figure 1 - Transmission/Transfer Case Adapter

## PARTS LIST

ITEM	DESCRIPTION	QTY
1	Main Frame	1
2	Cross Mount Support Bracket	1
3	Height/Width Adapters	2
4	Bolt 3/8-16x3/4", Grade 5	2
5	Lock Washer 1/2" , Split Ring	2
6	Bolt 1/2-13x2.5", Grade 5	2

## DESCRIPTION

The Transmission / Transfer Case Assembly Adapters are designed to make an easy one man job of removing, transporting, positioning and installing the transmission and transfer case assembly from a four wheel drive vehicle.

When using these adapters it is not necessary to separate the transfer case from the transmission.

1. This unique capability eliminates the need to manually handle the transfer case.
2. It also saves considerable time per transmission job. The time and labor savings become important for smaller jobs such as replacement of a front pump seal, converter or flywheel.
3. In some instances, interference from exhaust system components can be overcome so they do not have to be removed.

## INSTALLATION & ASSEMBLY

### To install the mainframe

1. Remove front transmission bracket from jack platform. This bracket is opposite the lift platform from the safety chain.

**NOTE:** In early model jacks this bracket is held in place by a small "L" shaped keeper. To remove the keeper, use a drift pin or punch to drive out the roll pin holding the ratchet control lever. Remove the lever and keeper. Reinstall the lever only, then the roll pin to secure the lever. Discard the keeper. The ratcheting bracket will now function normally but can be removed easily from the lift platform.

2. Hook the notched mainframe crossmember (1) over the rear of the lift platform. The mainframe crossmember should rest firmly against the safety chain anchor.

**NOTE:** Rather than the safety chain, earlier model jacks were originally equipped with a lanyard cable and reel assembly. This reel assembly must be replaced with the snap ring and safety chain before the adapter can be mounted. Separate instructions are provided for this operation.

3. Drop the front mainframe crossmember down in front of the lift platform. The rectangular hole in the mainframe crossmember should line up with the empty transmission bracket socket.
4. Install the front transmission bracket through the rectangular hole provided. Check for free movement.

## To install cross mount

1. Slip the cross mount (2) in place over the side rails of the main frame (1). These rails permit 8 1/2 inches of front to rear adjustment of the cross mount. Using this feature, always position the load so the center of gravity is directly over the center of the lift platform.
2. Tighten the bolts (4) on the ends of the cross mount (2). This locks it in place on the rails of the main frame.

## Height/width adapters

The height/width adapters (3) are used when the cross mount does not properly match the transfer case of transmission mounting brackets.

The mechanic will find it necessary to use height/width adapters when working with the New Process model 203 transfer case. Some Chrysler and Jeep transmissions with narrow mounting brackets also require these adapters. You will find them convenient for many other standard and automatic transmissions.

## USING THE ADAPTERS

1. Install the mainframe on the lift platform as instructed earlier.
2. Prepare the transmission/transfer case assembly for removal. Disconnect all linkages, controls, lines, drive shafts, etc. Always use an auxiliary stand to support the weight of the assembly before removing bolts from the bell housing or crossmember support. With the stand in place, remove the assembly mounting bolts and the crossmember support.
3. Using the mounting bolts from the transmission, bolt the cross mount (2) directly to the transmission or transfer case. Be sure the cross mount is positioned with cupped supports facing down.

For height/width adapters (3), insert the transmission bolts through the cylindrical shaft of each adapter. Bolt the adapters to the transmission mounts. Once secured, use capscrews (6) and lockwashers (5) to fasten the cross mount (2) to the height/width adapters (3).

4. With the mainframe installed on the jack, move the transmission jack into position. Raise the jack slowly up to the cross mount (now bolted to the assembly).
5. Mate the mainframe siderails with the cross mount. Check to see that the side rails are completely inserted in the cupped supports of the cross mount. Fasten the cross mount by tightening the capscrews at each end.



### WARNING

**THE AIR POWERED FIRST STAGE OF THE TRANSMISSION JACK MUST BE PRESSURIZED TO FULL LINE PRESSURE AND EXTENDED TO MAXIMUM HEIGHT**

If the first stage of the transmission jack is not extended to maximum height, its mechanical lock will not engage and may drop suddenly when a load is placed on it.



### CAUTION

To minimize the danger of tipping, adjust cross mount (2) along mainframe rails so weight center of load is supported above center of lift platform.

6. After the transmission/transfer case assembly has been securely mounted on the transmission jack as instructed, remove the auxiliary stand and bell housing bolts. Lower the complete assembly as one integral unit.



### WARNING

**COMPLETELY LOWER THE TRANSMISSION JACK BEFORE TRANSPORTING A LOAD.**

Transport the load slowly. Avoid obstacles on the floor and do not use on rough or broken floors. These precautions will minimize the danger of tipping which could result in personal injury and/or property damage.

### **Moving the assembly to a workbench:**

A mechanic can use the transmission jack to transfer the transmission/ transfer case assembly directly to a workbench without separating them.

Maneuver the jack so the transfer case is above the workbench. Adjust the height and tilt angles of the lift platform so the weight of the transfer case is supported by the surface of the bench.

Barely release the bolts of the cross mount (2). Slide the entire assembly so the transfer case is as far as possible on the bench. The cross mount will now be at the rear of the main frame.



**WARNING**

**DO NOT LOOSEN CROSS MOUNT BOLTS TOO MUCH BEFORE SLIDING ASSEMBLY ONTO BENCH**

If the bolts are loosened too much they will no longer hold the cross mount (2) to the rails of the main frame (1). Loss of load can occur creating danger of personal injury and/or property damage.

After the transfer case has been moved as far back on the bench as possible, steady the assembly with one hand, then loosen the cross mount bolts with the other hand. With the bench supporting the transfer case weight, push the transmission into place on the workbench.

By reversing these procedures it is possible for the mechanic to reinstall the transmission/transfer case assembly back on the jack. However, it is necessary to manually handle the transmission weight - up to 200 pounds - to secure the assembly on the jack.

# MULTI-PURPOSE ADAPTERS

The Multi-Purpose Adapters consist of the components illustrated below.  
THEY ARE DESIGNED FOR USE ON THE HEIN-WERNER HW93720 TRANSMISSION JACK ONLY.

## PARTS DIAGRAM

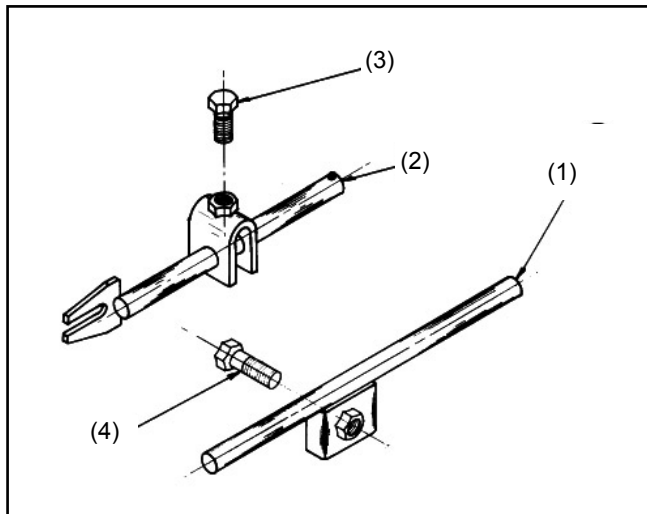


Figure 2 - Multi-Purpose Adapters

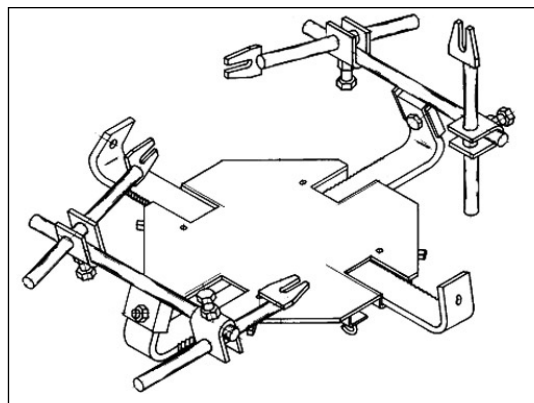
## PARTS LIST

ITEM	DESCRIPTION	QTY
1	Side Frame	2
2	Stabilizer Bar	4
3	Bolt 1/2-13x1", Grade 5	4
4	Bolt 3/8-16x3/4", Grade 5	2

## DESCRIPTION

The Multi-Purpose Adapters provide a system of secondary support to help stabilize awkward or irregularly shaped loads being supported by the lift platform.

Stabilizer bars are easily adjustable to accept front drive transaxles, transfer cases and other bulky components. They minimize the need for single purpose adapters and for "jury rigging" by the mechanic.



## ASSEMBLY

Use mounting bolts (4) to fasten side frames (1) to the transmission brackets on each side of the lift platform.

**NOTE:** Earlier model jacks are not produced with holes drilled in the transmission brackets. For these solid brackets, drill a 3/8 inch hole for the side frame mounting bolts.

Stabilizer bars (2) can be installed either above or below the side frame rails (see sketch above). Once the stabilizer bars are positioned, lock all parts together by tightening cap screw (3)

## PRINCIPLES OF USE

1. Multi-Purpose Adapters are to be used with Hein-Werner model HW93720 Transmission Jacks only
2. Multi-Purpose Adapters are designed to stabilize a load being supported by the lift platform.



### **NEVER ATTEMPT TO DIRECTLY SUPPORT A LOAD WITH MULTI-PURPOSE ADAPTERS**

Loss of load can result if one or more of the stabilizer bars shift. This could cause personal injury and/or property damage. Always let the lift platform of the jack bear the direct weight of the load.

3. When possible, remove bolts from the component housing and bolt the stabilizers 92) directly to the housing. The slotted fingers at the end of each stabilizer bar are designed for this purpose.
4. When the stabilizers cannot be bolted to the housing, they are most effective pointed straight against the surface of the object being stabilized. They should contact the surface in this perpendicular position.
5. Always use the safety chain or cable to further secure the load.

# REPLACEMENT PARTS

There are no replacement parts for this adapter. If you have any questions, contact: Hein-Werner Customer Support, 10939 N. Pomona Ave. Kansas City, MO 64153. Phone: (816)891-6390  
E-mail: customerservices@heinwerner-automotive.com

## TROUBLESHOOTING

Symptom	Possible Causes	Corrective Action
Adapter is loose	Loose bolts and/or nuts	Tighten all bolts and nuts
Transmission/transfer case is loose	Loose safety chain	Ensure chain is securely tightened to the transmission jack and is securely tighten around the transmission/transfer case.
Adapter will not fit properly	Using wrong transmission jack	Use HW93720 transmission jack

## TWO YEARS LIMITED WARRANTY

For a period of two (2) years from date of purchase, SFA Companies will repair or replace, at its option, without charge, any of its products which fails due to a defect in material or workmanship under normal usage. This limited warranty is a consumer's exclusive remedy.

Performance of any obligation under this warranty may be obtained by returning the warranted product, freight prepaid, to SFA Companies Warranty Service Department, 10939 N. Pomona Ave., Kansas City, MO 64153.  
Except where such limitations and exclusions are specifically prohibited by applicable law:

- (1) THE CONSUMER'S SOLE AND EXCLUSIVE REMEDY SHALL BE THE REPAIR OR REPLACEMENT OF DEFECTIVE PRODUCTS AS DESCRIBED ABOVE
- (2) SFA COMPANIES SHALL NOT BE LIABLE FOR ANY CONSEQUENTIAL OR INCIDENTAL DAMAGE OR LOSS WHATSOEVER.
- (3) ANY IMPLIED WARRANTIES, INCLUDING WITHOUT LIMITATION THE IMPLIED WARRANTIES OF MERCHANTABILITY AND FITNESS FOR A PARTICULAR PURPOSE, SHALL BE LIMITED TO TWO YEARS, OTHERWISE THE REPAIR, REPLACEMENT OR REFUND AS PROVIDED UNDER THIS EXPRESS LIMITED WARRANTY IS THE EXCLUSIVE REMEDY OF THE CONSUMER, AND IS PROVIDED IN LIEU OF ALL OTHER WARRANTIES, EXPRESS OR IMPLIED.
- (4) ANY MODIFICATION, ALTERATION, ABUSE, UNAUTHORIZED SERVICE OR ORNAMENTAL DESIGN VOIDS THIS WARRANTY AND IS NOT COVERED BY THIS WARRANTY.

Some states do not allow limitations on how long an implied warranty lasts, so the above limitation may not apply to you. Some states do not allow the exclusion or limitation of incidental or consequential damages, so the above limitation or exclusion may not apply to you. This warranty gives you specific legal rights, and you may also have other rights which vary from state to state.



SFA Companies  
10939 N. Pomona Ave. Kansas City, MO 64153  
816-891-6390  
customerservices@heinwerner-automotive.com