



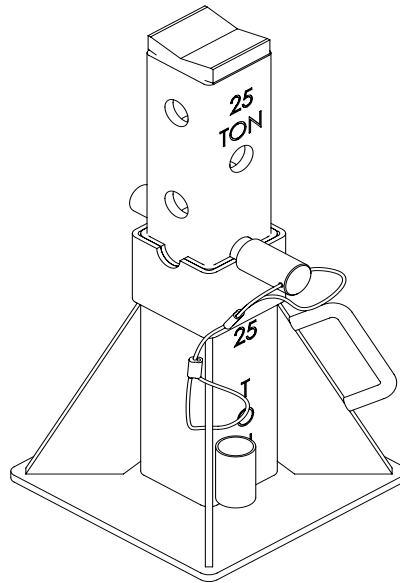
Heavy Duty Vehicle Stand

Operating Instructions & Parts Manual

Model Number Capacity per pair
HW93526F 25 Ton



**Made in the
U.S.A.**



HW93526F



This is the safety alert symbol. It is used to alert you to potential personal injury hazards. Obey all safety messages that follow this symbol to avoid possible injury or death.

SFA Companies
10939 N. Pomona Ave. Kansas City, MO 64153
customerservices@heinwerner-automotive.com

Read this manual and follow all the Safety Rules and Operating Instructions before using this product.

SAFETY AND GENERAL INFORMATION

Save these instructions. For your safety *read, understand, and follow* the information provided with and on this pair of vehicle stands before using. The owner and operator of this equipment shall have an understanding of the jack stands and safe operating procedures before attempting to use. The owner and operator shall be aware that use of this product may require special skills and knowledge. Instructions and safety information shall be conveyed in the operator's native language before use of these jack stands is authorized. If any doubt exists as to the safety or proper use of these vehicle stands, remove from service immediately.

Inspect before each use. Do not use if broken, bent, cracked, or damaged parts (including labels) are noted. Any stand that appears damaged in any way, operates abnormally or is missing parts, shall be removed from service immediately. If you suspect that the jack stand was subjected to a shock load (a load dropped suddenly, unexpectedly upon it), immediately discontinue use until the stand has been checked by a factory authorized service center (contact distributor or manufacturer for list of Authorized Service Centers). It is recommended that an annual inspection be done by qualified personnel. Labels and owner's manuals are available from manufacturer.

PRODUCT DESCRIPTION

Hein-Werner Heavy Duty Vehicle Stands are designed to support rated capacity, partial vehicle loads consisting of one end of a vehicle.

⚠ WARNING: Use vehicle stands as a matched pair to support one end of a vehicle only. Rated capacity is per pair.

SPECIFICATIONS

Model	Capacity per Pair	Base Size	Min. Height	Max. Height	Height Intervals
HW93526F	25 Ton	9-7/8" x 9-7/8"	12-3/8"	20-3/8"	2-1/8"

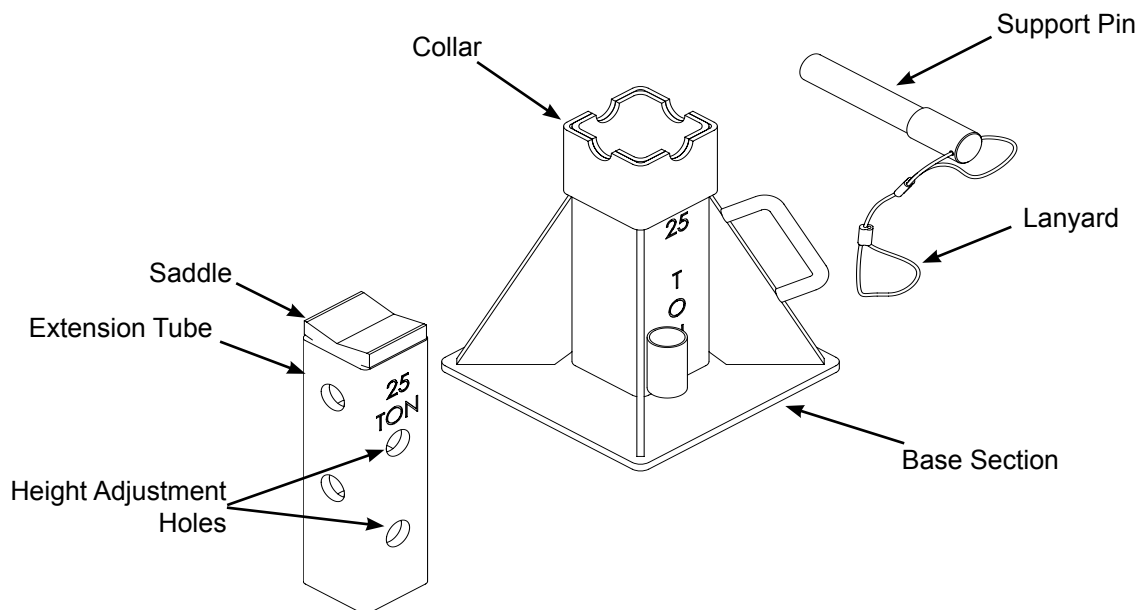


Figure 1. Heavy Duty Vehicle Stand Components

BEFORE USE

1. Verify that product and application are compatible. If in doubt, contact Hein-Werner customer Service.
2. Inspect stands before each use. Do not use if there are bent, broken or cracked components (including labels).
3. Ensure that all parts move freely.
4. Before use, read the owner's manual completely and familiarize yourself thoroughly with the product and the hazards associated with its improper use.
5. Always refer to the vehicle owners or service manual for location of proper lift and support points.

⚠ WARNING: *Support points may differ from vehicle to vehicle. The owner and operator of these stands shall be aware that special training and knowledge may be required in the proper placement of jacks and stands. Support only those areas recommended by the vehicle manufacturer. Consult the manufacturer's service manual for the location of proper lift and support points.*

⚠ CAUTION: *No means are provided to prevent inadvertent separation of the column from the base. Handle assembled stands with care.*

OPERATION

⚠ WARNING: *Never use jack stands to support both ends or an entire side of a vehicle. Use only one (1) pair per vehicle. Rated capacity is per pair. Use only on vehicles whose support points are compatible with the saddle of the jack stand. Incompatibility may result in structural damage to the vehicle and/or jack stand. Structural damage to either may result in sudden and unexpected loss of load height.*

1. To change saddle height adjust extension tube up or down, then insert support pin through appropriate holes on extension tube.
2. Support pin should pass through extension tube with the shoulder of the pin against the collar. Ensure support pin is secure and seated across corresponding semi-circular cutouts on the collar before loading.
3. Position stands so that load will be centered on saddles.
4. *Slowly* lower vehicle onto stands.
5. Check that vehicle is secure before working on, around or under.

To lower load

⚠ WARNING: *Clear all tools and personnel before lowering vehicle.*

1. Raise vehicle clear of stands with suitable jack.
2. Release support pin and allow extension tube to glide down to lowest position.
3. *Carefully* remove stands and place stands away from the work area.
4. Lower vehicle with jack.

MAINTENANCE

Periodically inspect each stand. Ensure all parts move freely. Do not apply oil or grease to any portion of this product. If rust appears, sand affected area and cover with suitable utility paint. Please note that replacement stands must be purchased as a matched pair.

Storage

Store jack stands in upright position and in a clean, dry area.

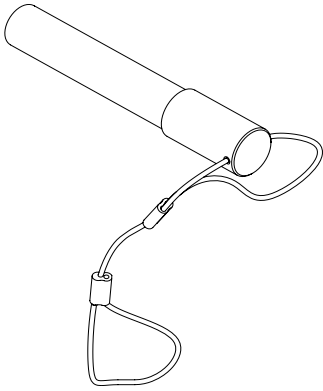
⚠ WARNING

- Study, understand, and follow all instructions before operating this device.
- Do not exceed rated capacity.
- Use only on hard, level surface capable of supporting the load
- Center load on saddle.
- Use as a matched pair only.
- Stands are not to be used to simultaneously support both ends of a vehicle.
- No alterations shall be made to this product.
- Failure to heed these markings may result in personal injury and/or property damage.

⚠ WARNING

- Read, understand and follow the instructions before using the appliance.
- The operating manual and safety information should be communicated in the native language of the operator before use.
- Failure to do so may cause personal injury and/ or property damage.

REPLACEMENT PARTS



PART NO.	DESCRIPTION
HW93526F-17	Support Pin & Lanyard
HW93526F-M0	Owner's Manual
HW93526F-L0	Warning Labels



TWO YEAR LIMITED WARRANTY

For a period of two (2) years from date of purchase, SFA Companies will repair or replace, at its option, without charge, any of its products which fails due to a defect in material or workmanship under normal usage. This limited warranty is a consumer's exclusive remedy.

Performance of any obligation under this warranty may be obtained by returning the warranted product, freight prepaid, to SFA Companies Warranty Service Department, 10939 N. Pomona Ave., Kansas City, MO 64153.

Except where such limitations and exclusions are specifically prohibited by applicable law:

- (1) THE CONSUMER'S SOLE AND EXCLUSIVE REMEDY SHALL BE THE REPAIR OR REPLACEMENT OF DEFECTIVE PRODUCTS AS DESCRIBED ABOVE
- (2) SFA COMPANIES SHALL NOT BE LIABLE FOR ANY CONSEQUENTIAL OR INCIDENTAL DAMAGE OR LOSS WHATSOEVER.
- (3) ANY IMPLIED WARRANTIES, INCLUDING WITHOUT LIMITATION THE IMPLIED WARRANTIES OF MERCHANTABILITY AND FITNESS FOR A PARTICULAR PURPOSE, SHALL BE LIMITED TO TWO YEARS, OTHERWISE THE REPAIR, REPLACEMENT OR REFUND AS PROVIDED UNDER THIS EXPRESS LIMITED WARRANTY IS THE EXCLUSIVE REMEDY OF THE CONSUMER, AND IS PROVIDED IN LIEU OF ALL OTHER WARRANTIES, EXPRESS OR IMPLIED.
- (4) ANY MODIFICATION, ALTERATION, ABUSE, UNAUTHORIZED SERVICE OR ORNAMENTAL DESIGN VOIDS THIS WARRANTY AND IS NOT COVERED BY THIS WARRANTY.

Some states do not allow limitations on how long an implied warranty lasts, so the above limitation may not apply to you. Some states do not allow the exclusion or limitation of incidental or consequential damages, so the above limitation or exclusion may not apply to you. This warranty gives you specific legal rights, and you may also have other rights which vary from state to state.

SFA Companies
10939 N. Pomona Ave. Kansas City, MO 64153
816-891-6390
customerservices@heinwerner-automotive.com