



MODEL NO. HW2023
2 TON HYDRAULIC BOTTLE JACK
(Made in China)

SFA Companies 10939 N. Pomona Ave. Kansas City, MO 64153
 Tel: 816-891-6390 * Fax: 816-891-6599 * E-mail: customerservices@heinwerner-automotive.com

OPERATING INSTRUCTIONS & PARTS MANUAL



This is the safety alert symbol. It is used to alert you to potential personal injury hazards. Obey all safety messages that follow this symbol to avoid possible injury or death.

SAFETY and GENERAL INFORMATION

Save these instructions. For your safety *read, understand, and follow* the information provided with and on this jack. The owner and operator of this equipment shall have an understanding of this jack and safe operating procedures before attempting to use. The owner and operator shall be aware that use and repair of this product may require special skills and knowledge. Instructions and safety information shall be conveyed in the operator's native language before use of this jack is authorized. If any doubt exists as to the safe and proper use of this jack, remove from service immediately.

Inspect before each use. Do not use if broken, bent, cracked, or damaged parts (including labels) are noted. Any jack that appears damaged in any way, operates abnormally or is missing parts, shall be removed from service immediately and the manufacturer notified. If you suspect that the jack was subjected to a shock load (a load dropped suddenly, unexpectedly upon it), immediately discontinue use until the jack has been checked by a factory authorized service center (contact distributor or manufacturer for list of Authorized Service Centers). It is recommended that an annual inspection be done by qualified personnel. Replace worn or damaged parts with Hein-Werner Authorized Replacement Parts only. Labels and owner's manuals are available from manufacturer.

PRODUCT DESCRIPTION

Hydraulic Bottle Jack is designed to lift, not support, rated capacity loads consisting of one end of a vehicle. Immediately after lifting, the load must be supported by a pair of appropriately rated jack stands.

Never use hydraulic jack as a stand alone device.
 After lifting, **immediately support the lifted load with a pair of appropriately rated jack stands.**

SPECIFICATIONS

Model	Capacity	Min. Height	Max. Height	Hydraulic Lift	Base Size (L x W)
HW2023	2 Ton	7 1/4"	14 1/2"	5 1/8"	5 3/4" x 3"

WARNING

- Study, understand, and follow** all printed materials provided with/on this product before use.
- Do not** exceed rated capacity.
- This is a lifting device only!**
- Immediately** after lifting, support the load with **a pair** of appropriately rated jack stands.
- Use only on hard, level surfaces capable of supporting rated capacity loads.
- Do not use adapters or accessories that are not provided initially.
- Lift only on areas of the vehicle as specified by the vehicle manufacturer.
- Do not move or dolly loads with this device.
- No alterations shall be made to this product.
- Failure** to heed these markings may **result in personal injury and/or property damage.**

WARNING

To avoid **crushing and related injuries**:

- Never** work on, under or around a load supported only by hydraulic jack.
- Always** use adequately rated jack stands.
- Chock each unlifted tire in both directions.
- Do not** use this device to lift, level, lower, support nor move a house, mobile home, travel trailer, camper or any building structure.
- Be alert and sober** when using this product. Do not operate under the influence of drugs or alcohol.

ADVERTENCIA

- Leer, comprender, y seguir las instrucciones antes de utilizar el aparato.
- El manual de instrucciones y la información de seguridad deben estar comunicado en lengua del operador antes del uso.
- No seguir estas indicaciones puede causar daños personales o materiales.

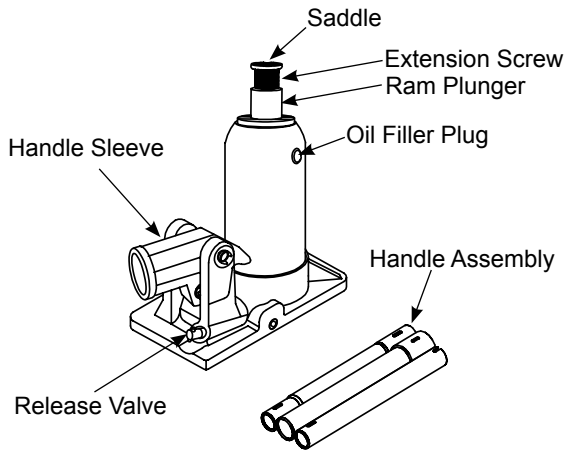


Figure 1 - Model HW2023 Components

PREPARATION

Before Use

1. Verify that the product and application are compatible, if in doubt call Hein-Werner technical service.
2. Before use, read the operator's manual completely and familiarize yourself thoroughly with the product, its components and recognize the potential hazards associated with its use.
3. Assemble the 3-piece handle assembly.
4. To familiarize yourself with the basic operation of the jack, locate and engage the release valve with the slotted portion of the handle, then turn the release valve:
 - a. Clockwise until firm resistance is felt to further turning. This is the 'CLOSED' release valve position used to raise the load.
 - b. Counter-clockwise, but no more than 1/2 full turn from the closed position. This is the 'OPEN' release valve position used to lower the load.
5. With saddle fully lowered, locate and remove oil filler plug. Insert handle into handle sleeve; pump 6 to 8 full strokes. This will help release any pressurized air which may be trapped within the reservoir. Check the oil level. Ensure the oil level is level with the oil the oil filler plug hole.
6. Reinstall the oil filler plug.
7. Ensure that pump operates smoothly and the extension screw will thread up/down easily before putting into service.
8. Replace worn or damaged parts and assemblies with Hein-Werner Replacement Parts only. Lubricate as instructed in Maintenance Section.

Bleeding / Venting Trapped Air

With the release valve in the OPEN position (4b. above) and with saddle fully lowered, locate and remove the oil filler plug. Insert the handle into the handle sleeve; then pump 6 to 8 full strokes. This will help release any pressurized air which may be trapped within the reservoir. Reinstall the oil filler plug.

OPERATION

Lifting

! Only attachments and/or adapters supplied by the manufacturer shall be used. Lift only on areas of the vehicle as specified by the vehicle manufacturer.

1. Follow the vehicle manufacturer's recommended guidelines for lifting. Engage the emergency brake and chock each unlifted wheel in both directions to prevent inadvertent vehicle movement.
2. Locate and close the release valve by turning the handle clockwise until firm resistance is felt.
3. Refer to the vehicle manufacturer owner's manual to locate approved lifting points on the vehicle. Center jack saddle under lift point.
4. Verify lift point, insert handle into handle sleeve. Pump handle to contact lift point. To lift, pump handle until load reaches desired height.
5. Transfer the load **immediately** to appropriately rated jack stands.

! **NEVER** use hydraulic jack as a stand alone device! **ALWAYS** transfer the lifted load **IMMEDIATELY** to a pair of appropriately rated jack stands. Use one pair of jack stands per vehicle. Rated capacity is per pair only! Do not exceed rated capacity.

! Overloading may cause hydraulic system failure.

Lowering

! Be sure all tools and personnel are clear before lowering load. **Slowly open the release valve!** The more you turn the release valve (handle) counter-clockwise, the faster the load will come down. **Maintain control** of the rate of speed at which the load lowers at all times!

1. Raise load high enough to clear the jack stands.
2. Remove jack stands, carefully. (**always** used in pairs).
3. **Slowly** turn the release valve counter-clockwise, but no more than 1/2 full turn. If the load fails to lower:
 - a. Use another jack to raise the vehicle high enough to reinstall jack stands.
 - b. Remove the malfunctioning jack and then the jack stands.
 - c. Using the functioning jack, lower the load by turning the operating handle counter-clockwise, but no more than 1/2 full turn.
4. After removing jack from under the load, push saddle down to reduce ram exposure to rust and contamination.

MAINTENANCE

Important: Use only a good grade hydraulic jack oil. Avoid mixing different types of fluid and **Never** use brake fluid, turbine oil, transmission fluid, motor oil or glycerin. Improper fluid can cause failure of the jack and the potential for sudden and immediate loss of load. We recommend Hein-Werner hydraulic jack oil HW93291 or equivalent.

Adding oil

1. Lower saddle fully, set jack in its upright, level position.
2. Locate and remove oil filler plug.
3. Fill with oil even with the bottom of oil filler plug hole. Reinstall oil filler plug.

Changing oil

For best performance and longest life, replace the complete hydraulic fluid at least once a year.

1. Lower saddle fully, remove oil filler plug.
2. Lay the jack on its side and drain the fluid into a suitable container.

Note: Dispose of hydraulic fluid in accordance with local regulations.

3. Fill with oil even with the bottom of oil filler plug hole. Reinstall oil filler plug.

Lubrication

A periodic coating of light lubricating oil to pivot points will help to ensure that pump piston linkages move freely.

Note: Never apply oil to the saddle. If saddle extension threads require lubrication; clean thread surfaces with a clean, dry cloth, then apply a *drop* of bearing grease to the threads. Distribute evenly as possible along the threaded post.

Cleaning

Periodically check the pump piston and ram for signs of rust or corrosion. Clean as needed and wipe with an oily cloth.

Note: Never use sandpaper or abrasive material on these surfaces!

Storage

Store the jack with the pump piston, ram plunger, and saddle fully lowered and the release valve open, but never more than 1/2 turn. This will help prevent rust and corrosion to those critical surfaces.

REPLACEMENT PARTS

Not all components of the jack are replacement items, but are illustrated as a convenient reference of location and position in the assembly sequence. When ordering parts, give model number, part number and parts description. Call or write for current pricing: Hein-Werner Customer Support, 10939 N. Pomona Ave. Kansas City, MO 64153. Phone: (816)891-6390; E-mail: customerservices@heinwerner-automotive.com

Replacement Parts List for Model HW2023:

Item	Part No.	Description	Qty
1	B02B-12000-000	Extension Screw	1
2	*	O-ring	1
3	B02B-11001-000	Top Nut	1
4	*	Gasket	1
5	*	Filler Plug	1
6	B02B-10001-000	Reservoir	1
7	B02B-10002-000	Cylinder	1
8	5308-00235-000	Washer	1
9	B020-13100-000	Ram Plunger	1
10	*	Back-up Ring	1
11	*	U-cup	1
12	*	Gasket	1
13	B020-10003-000	Filter	1
14	5403-10031-000	Pin	1
15	5903-10064-000	Pin	1
16	B02B-10004-000	Handle Sleeve	1
17	5305-00008-000	Washer	2
18	B02B-14002-000	Pump Piston Ring	1
19	B02B-14001-000	Pump Piston	1
20	*	O-ring	2
21	*	Back-up Ring	2
22	*	Release Valve	1
23	*	O-ring	2
24	5601-00476-000	Steel Ball, 4.76mm dia	1
25	B02B-10006-000	Spring	1
26	5601-00750-000	Steel Ball, 7.5mm dia	1
27	B02B-10005-000	Spring	1
28	5109-11085-000	Screw	1
29	B02B-10003-000	Base	1
30	B02B-20000-000	Handle Assembly	1
(*)	B02B0S-031	Repair Kit	1

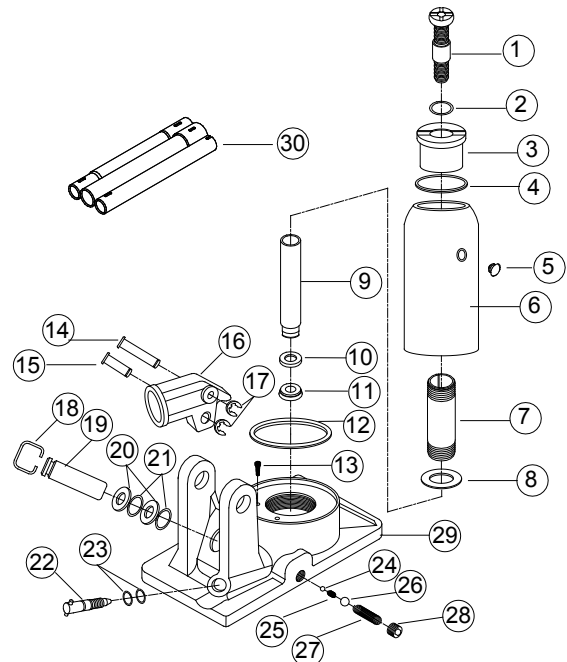


Figure 3 - Parts Illustration for Model HW2023

TROUBLESHOOTING

Symptom	Possible Causes	Corrective Action
Jack will not pressurize	<ul style="list-style-type: none"> • Release valve not tightly closed. • Load is too heavy. 	<ul style="list-style-type: none"> • Ensure release valve tightly closed. • Consider higher capacity jack.
Jack will lift, but not maintaining pressure	<ul style="list-style-type: none"> • Hydraulic unit malfunction. 	<ul style="list-style-type: none"> • Discontinue use, contact Customer Support.
While lowering, fluid leaks from reservoir area. Jack saddle will not descend to lowest advertised height	<ul style="list-style-type: none"> • Reservoir overfilled. • Ram/cylinder deformed, seized up in ram cylinder and/or top nut, likely the result of off-center loading. 	<ul style="list-style-type: none"> • Drain fluid to proper level. • Discontinue use, contact Customer Support.
Ram plunger will not remain lowered after released from contact with load (creeps back up)	<ul style="list-style-type: none"> • Air trapped in system. 	<ul style="list-style-type: none"> • Follow the Owners Manual Maintenance instructions for bleeding air from system.
Poor lift performance	<ul style="list-style-type: none"> • Fluid level low. • Air trapped in system. • Hydraulic unit malfunction. 	<ul style="list-style-type: none"> • Ensure proper fluid level. • With ram fully retracted, follow the instructions for bleeding air on page 2. • Discontinue use, contact Customer Support.
Will not lift to full extension	<ul style="list-style-type: none"> • Fluid level low. 	<ul style="list-style-type: none"> • Ensure proper fluid level.

TWO YEARS LIMITED WARRANTY

For a period of two (2) years from date of purchase, SFA Companies will repair or replace, at its option, without charge, any of its products which fails due to a defect in material or workmanship under normal usage. This limited warranty is a consumer's exclusive remedy.

Performance of any obligation under this warranty may be obtained by returning the warranted product, freight prepaid, to SFA Companies Warranty Service Department, 10939 N. Pomona Ave., Kansas City, MO 64153.

Except where such limitations and exclusions are specifically prohibited by applicable law:

- (1) THE CONSUMER'S SOLE AND EXCLUSIVE REMEDY SHALL BE THE REPAIR OR REPLACEMENT OF DEFECTIVE PRODUCTS AS DESCRIBED ABOVE
- (2) SFA COMPANIES SHALL NOT BE LIABLE FOR ANY CONSEQUENTIAL OR INCIDENTAL DAMAGE OR LOSS WHATSOEVER.
- (3) ANY IMPLIED WARRANTIES, INCLUDING WITHOUT LIMITATION THE IMPLIED WARRANTIES OF MERCHANTABILITY AND FITNESS FOR A PARTICULAR PURPOSE, SHALL BE LIMITED TO TWO YEARS, OTHERWISE THE REPAIR, REPLACEMENT OR REFUND AS PROVIDED UNDER THIS EXPRESS LIMITED WARRANTY IS THE EXCLUSIVE REMEDY OF THE CONSUMER, AND IS PROVIDED IN LIEU OF ALL OTHER WARRANTIES, EXPRESS OR IMPLIED.
- (4) ANY MODIFICATION, ALTERATION, ABUSE, UNAUTHORIZED SERVICE OR ORNAMENTAL DESIGN VOIDS THIS WARRANTY AND IS NOT COVERED BY THIS WARRANTY.

Some states do not allow limitations on how long an implied warranty lasts, so the above limitation may not apply to you. Some states do not allow the exclusion or limitation of incidental or consequential damages, so the above limitation or exclusion may not apply to you. This warranty gives you specific legal rights, and you may also have other rights which vary from state to state.



SFA Companies
 10939 N. Pomona Ave. Kansas City, MO 64153
 816-891-6390
 customerservices@heinwerner-automotive.com