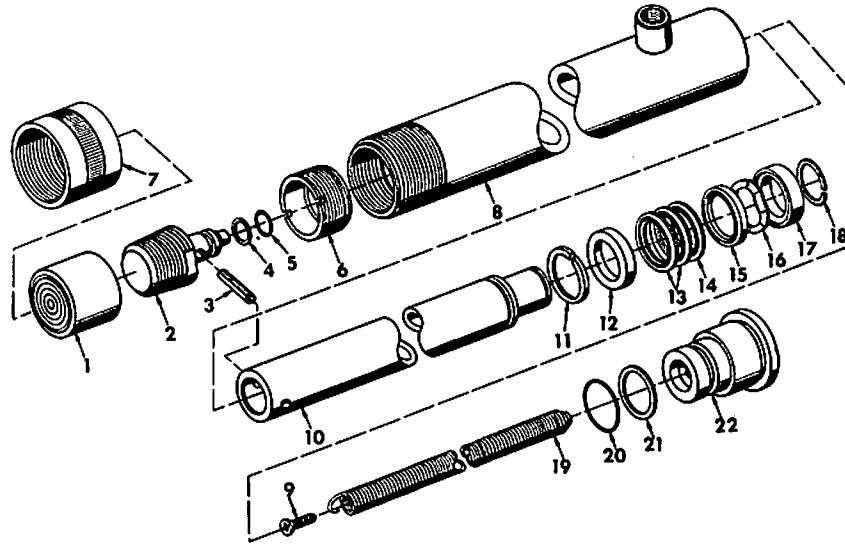




# MODEL F-10.16-1 PUSHMASTER HYDRAULIC JACK REPAIR PARTS LIST Capacity 10 Tons



## FR-10.16-1 RAM UNIT PARTS

ITEM NO.	PART NO.	DESCRIPTION	ITEM NO.	PART NO.	DESCRIPTION
1	22510	Cap	15	20380	Male Adapter
2	20585	Threaded Head	16	62109	Wave Washer
3	25745	1/4 x 1 3/8 Roll Pin	17	20360	Spacer Bearing
4	16280	Back-Up Washer	18	23490	Retaining Ring
5	16260	"O" Ring	19	20855	Spring
6	20290	Guide	20	16320	"O" Ring
7	20260	Collar	21	16335	Back-Up Washer
8	5530	Tube & Bass Assembly	22	19895	Base Plug
9	19925	Self Tapping Screw	23	55179	Decal (Not Shown)
10	20125	Ram	24	81024	FC-3 Quick Coupler (Not Shown)
11	61825	Retaining Ring	25	81025	FC-3H Hose Half Coupler
12	20562	Female Adapter	26	81026	FC-3R Ram Half Coupler
13	20445	V Ring	27	48862	HWT2593 Wrench to remove Base Plug
14	20460	V Ring	28	48863	HWT 2594 Tool for 19925 Screw

## GENERAL CARE

Your Hein-Werner Pushmaster Hydraulic Jack is carefully designed and constructed of the best materials available. Long, dependable performance is assured if the following simple rules are observed:

1. Always keep your jack clean.
2. Keep ram fully retracted and the release valve closed when not in use.
3. Center the load in any application. A bent or

broken ram is a sure sign of undue sidestrain through misuse.

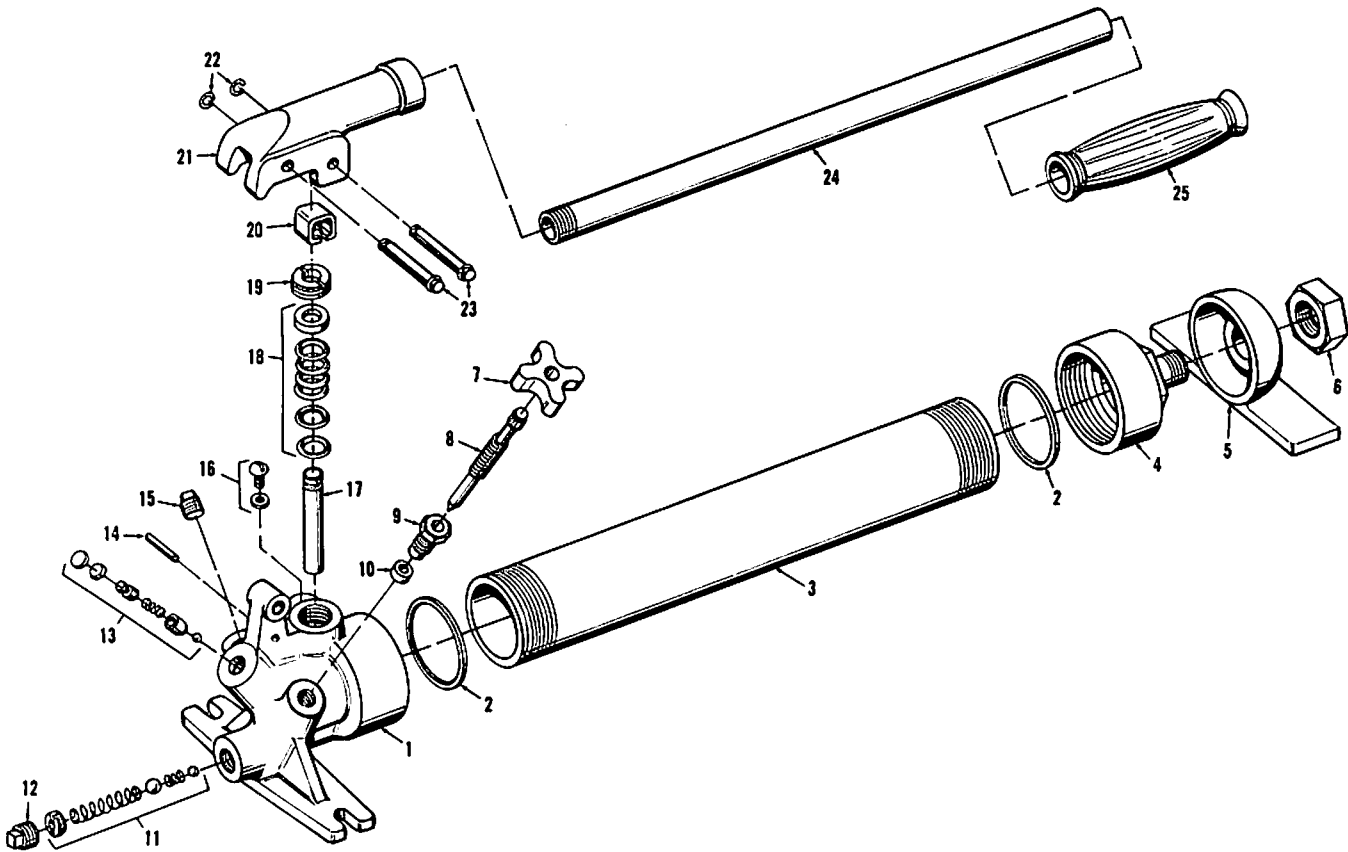
4. Always tighten attachments and extension tubes the full thread provided.
5. Refill only with Hein-Werner Hydraulic Jack Oil. Never use hydraulic brake fluid which destroys cups and packings and voids the guarantee.

REV. 10-15-73

Order parts from the nearest Hein-Werner Official Service Station. Always state both model and serial number.

**USE ONLY GENUINE HEIN-WERNER HYDRAULIC JACK OIL IN ANY HEIN-WERNER JACK**  
**HEIN-WERNER CORPORATION**      PRINTED IN U.S.A.      **WAUKESHA, WISCONSIN — AJAX, ONTARIO**

# FP10-1 PUMP UNIT



## FP10-1 PUMP UNIT PARTS

ITEM NO.	PART NO.	DESCRIPTION
1	60088	Base
2	22360	Gasket
3	16580	Reservoir Tube
4	16550	Cap
5	16540	Support
6	26110	3/4-16 Hex Jam Nut
7	14240	Release Knob
8	60289	Release Screw
9	13485	Packing Nut
10	4520	Packing
11	61306	Pump Valves
12	60112	3/8 NPTF Sq. Hd. Pipe Plug
13	80360	Safety Valve Assembly
14	60138	3/16 x 1 1/8 Roll Pin
15	60140	1/4 NPTF Sq. Hd. Pipe Plug
16	60141	Filler Screw & Washer
17	60092	Piston
18	61307	Piston Packing
19	60089	Packing Nut
20	7205	Clip
21	60137	Handle Socket
22	12345	Pin Ring
23	60195	Pin
24	16650	Handle
25	13830	Handle Grip
26	55129	Decal (Not Shown)

REV. 2-25-72

Order parts from the nearest Hein-Werner Official Service Station. Always state both model and serial number.  
**USE ONLY GENUINE HEIN-WERNER HYDRAULIC JACK OIL IN ANY HEIN-WERNER JACK**

HEIN-WERNER CORPORATION

PRINTED IN U.S.A.

WAUKESHA, WISCONSIN — AJAX, ONTARIO