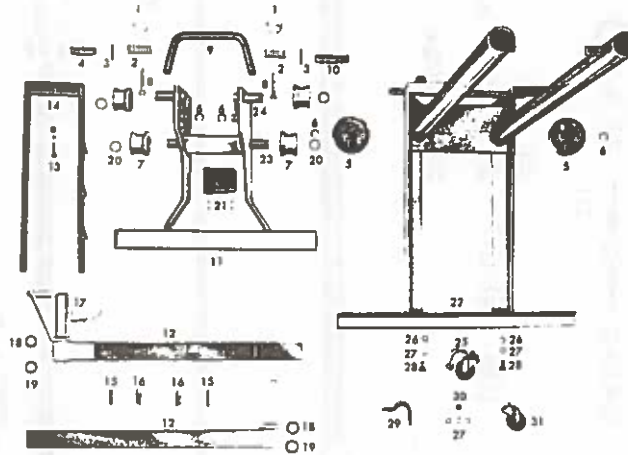


Hein-Werner

Model "55" 1½ Ton Hydraulic Jack

CHASSIS REPAIR PARTS



ITEM NO.	OLD PART NO.	NEW PART NO.	DESCRIPTION	ITEM NO.	OLD PART NO.	NEW PART NO.	DESCRIPTION
1	5596	14321	Tube Cap	20	55210	13650	Clip 1"
2	5517	81042	Spring for Stops	21	55103-1	80103	Instruction Plate with screws
3	¼"x1⅝"	80096	Roll Pin for Stop Spring	22	0-5510	81004	Frame Assembly
4	5554	80097	Limit Stop for Ram		0-5510-1	81003	(Used with YS14 wheel)
5	YS-14	80723	Rear Wheel				Frame Assembly
		24260	Rubber Wheels 8" Diameter (Not Shown)	23	55206	80072	(Used with rubber wheels)
6	Y119A-1	81034	Clip Retainer				Front Roller Axle 1" O.D.
7	55201	13550	Roller 2½" O.D. N.S.	24	55207	80073	2⅝" long
	5627	80078	Rollers for Carriage O.S.		5593	80105	Rear Roller Axle 1" O.D.
8	55153	13440	Bolt for Handle Grip				2⅝" long
9	5567	80356	Handle Grip				Roller Axle O.S.
10	5553	80098	Safety Latch with Trigger	25	0-5817-1	80725	Caster Wheel Assy. Complete
11	0-5540-1	80099	Carriage Assembly	26	⅝"-24	26545	Hex. Jam Nut
12	55-1-3	81015	Ext. Arm w/ Bi-Level Saddle	27	⅝"	80090	Shakeproof Washers
13	10-32x11¼"	80100	Screw and Nut for Yoke	28	⅝"-24x⅝"	26575	Hex Hd. Bolt
14	55198	80101	Drag Links w/55200 O.S.	29	5817-2	80724	Spring w/5817-1
	55198-1	80102	19½" long	30	⅝"-18	26465	Akorn Nut
			Drag links w/55200 N.S.	31	55215	13715	Caster
15	5532-A	13865	22¼" long	32	S-5593A	80110	Roller Stud Assembly O.S.
			Spring for Ext. Arm Stop		S-5593	80111	(Not Shown)
16	55170-1	13465	Stop for Extension Arm		S-5627	80112	Axle for Roller Stud Assembly
17	S-37	81017	Bi-Level Saddle		S-5543	80113	Roller for Roller Stud Assy.
18	5521	13635	Tension Washer		1B792	8845	Nut for Roller Stud Assy.
19	55216	80088	Fastener				Rear Axle 17" long for rubber wheels

GENERAL CARE

1. Carriage rollers must be lubricated frequently so they are free to turn easily. Also lubricate Saddle Arms, Handle Socket Pin, all wheels and machined surface of ram.
2. Always release brake of vehicle before lifting, center load on the saddles and raise from a level surface.
3. Keep ram retracted and release closed when not in use.
4. Occasionally hydraulic jacks become airbound in transit or when upset. To correct, open the release valve and pump the handle at least six full strokes.
5. To refill, use only Hein-Werner hydraulic jack oil. Never use hydraulic brake fluid which destroys cups and packings and voids the guarantee. Oil should be level with filler screw hole in reservoir tube when ram is completely retracted.
6. To remove the hydraulic unit merely take out the 4 cap screws attaching base to chassis and the small screw connecting tip of ram to drag links.

USE NEW PART NUMBER ONLY WHEN ORDERING PARTS

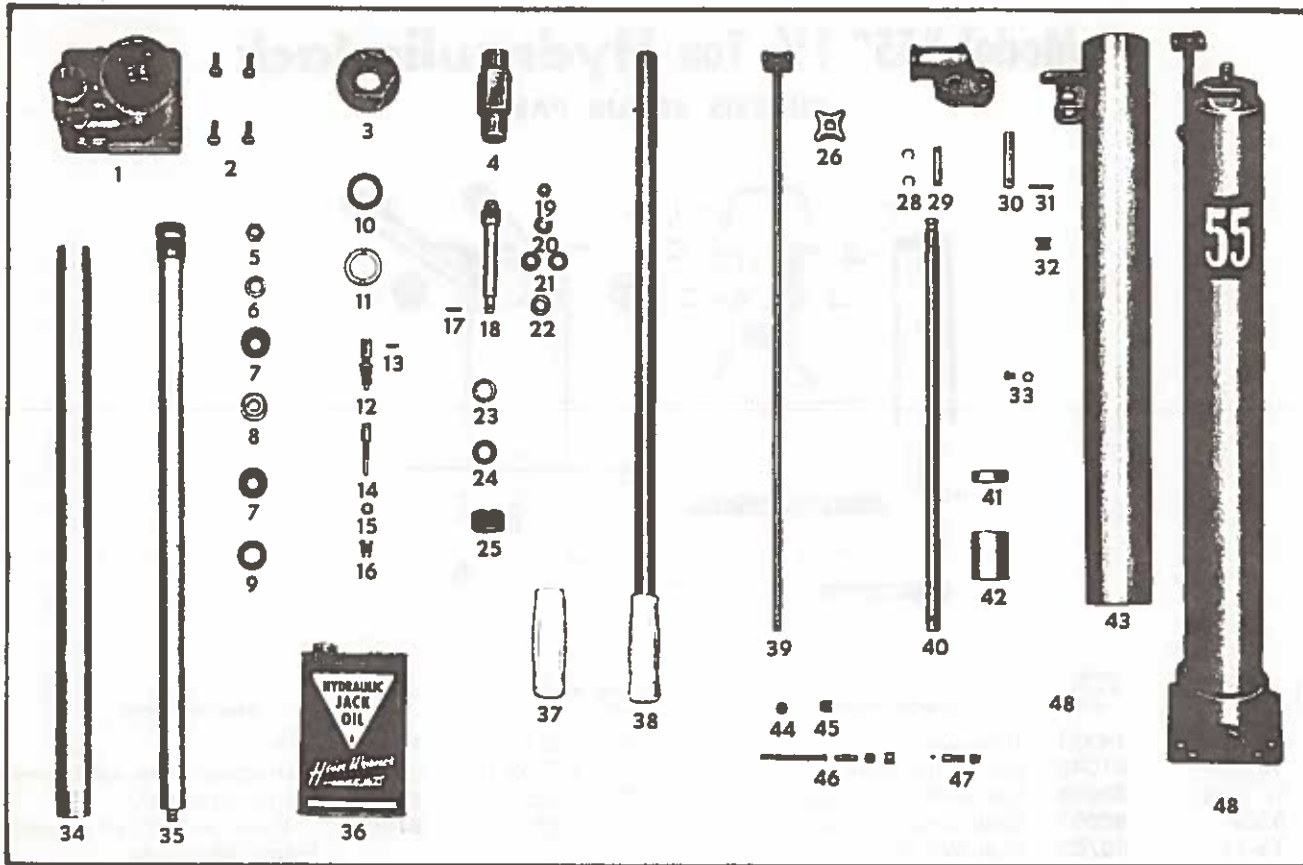
REV. 7-1-68

Order parts from the nearest Hein-Werner Official Service Station. Always state both model and serial number.

USE ONLY GENUINE HEIN-WERNER HYDRAULIC JACK OIL IN ANY HEIN-WERNER JACK
HEIN-WERNER CORPORATION PRINTED IN U.S.A. WAUKESHA, WISCONSIN — AJAX, ONTARIO

HEIN-WERNER Model "55" Hydraulic Jack

UNIT REPAIR PARTS



ITEM NO.	OLD PART NO.	NEW PART NO.	DESCRIPTION	ITEM NO.	OLD PART NO.	NEW PART NO.	DESCRIPTION
1	310-3	10335	Base with Valves	24	5535	13880	Piston Packing
2	3/8"-18x3/4"	80188	Cap Screws for Base	25	5542	13935	Piston Packing Nut
3	311-A	80115	Top Nut	26	5570	14240	Release Knob only
4	3093-A	8255	Pump Cylinder	27	5512	13435	Handle Socket
5	J-343	18960	Ram Cup Retaining Nut	28	389-A	12345	3/8" Pin Ring, Set of 2
6	322	11030	Ram Cup Retaining Washer	29	821-A	15725	3/8" Piston Pin, 389A Rings
7	324	11115	Ram Cup	30	5521-1	13645	1/2" Handle Socket Pin
8	5520	13535	Cup Spacer (Brass)	31	1/2"x1"	26690	Roll Pin
9	320	10710	Ram Cup Supporting Washer	32	55109	13405	Grommet for Release Rod
10	334	11385	Ram Packing, each	33	138	80031	Filler Screw, 139-4 Washer
	Q21	20675	Quad Ring N.S.	34	313-27	10560	Ram Cylinder
11	317	81036	Ram Packing Nut	35	315-27	10665	Ram Assembly
12	5519	80116	Release Valve Assy. 2 1/4" O.S.	36	Quart	80123	Hydraulic Jack Oil
13	3/32"x3/16"	80117	Release Roller Pin	37	5528-R	13830	Rubber Handle Grip
14	5519-1	13520	Release Valve 2 3/8" N.S.	38	5528	80124	Handle with Grip
15	136-C	4520	Release Packing N.S.	39	55224	80125	Release Rod with Knob
16	5518	13485	Release Packing Nut N.S.	40	5552	80126	Pump Extension Rod
17	3/16"x1"	25965	Piston Roll Pin	41	55408-1	13920	Piston Guard Retain. Washer
18	5516	80119	Pump Piston Assembly	42	55408	13905	Piston Guard
19	3043-1	80120	Pump Cup Retaining Nut	43	314-27	10615	Res. Tube with Brackets
20	3022	9965	Pump Cup Retainer	44	385	11520	Pump Valve Seal
21	3033	10045	Pump Cup, 3057-B Leather Washer	45	388	11855	Pump Valve Plug
22	55435	13950	Pump Cup Supporting Washer	46	25-A	80127	Pump Valves, per set
23	5522	13760	Piston Packing Retainer	47		80360	Safety Valve
				48	U-55	81016	Hydraulic Unit complete

USE NEW PART NUMBER ONLY WHEN ORDERING PARTS

REV. 7-1-68

Order parts from the nearest Hein-Werner Official Service Station. Always state both model and serial number.

USE ONLY GENUINE HEIN-WERNER HYDRAULIC JACK OIL IN ANY HEIN-WERNER JACK

HEIN-WERNER CORPORATION

PRINTED IN U.S.A

WAUKESHA, WISCONSIN — AJAX, ONTARIO