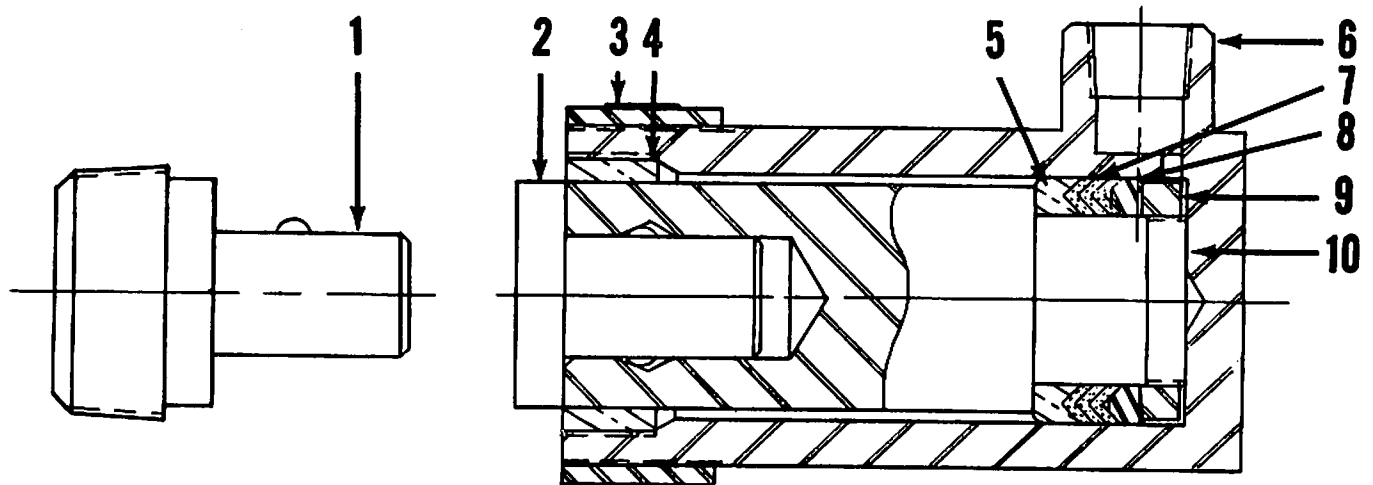




MODEL F-10.5 PUSHMASTER HYDRAULIC JACK REPAIR PARTS LIST

Capacity 10 Tons



FR10.5 RAM UNIT PARTS

ITEM NO.	OLD PART NO.	NEW PART NO.	DESCRIPTION	ITEM NO.	OLD PART NO.	NEW PART NO.	DESCRIPTION
1	A10.5	5930	Threaded Head Assembly	9	N100	19670	Nut
2	FA1037	5790	Head Assembly	10	PM15001	20105	Ram
3	PM21001	20255	Collar	11		80209	Decal
4	PM22001	20280	Guide	12	FC3	81024	Quick Coupler Complete (Not Shown)
5	PM35001	20520	Female Adapter	13	FC3H	81025	Hose Half Coupler
6	14A72	5785	Tube & Boss Assembly	14	FC3R	81026	Ram Half Coupler
7	PM34009	20430	Packing (Set of 3)				
8	PM33001	20380	Male Adapter				

GENERAL CARE

Your Hein-Werner Pushmaster Hydraulic Jack is carefully designed and constructed of the best materials available. Long, dependable performance is assured if the following simple rules are observed:

1. Always keep your jack clean.
2. Keep ram fully retracted and the release valve closed when not in use.
3. Center the load in any application. A bent or

broken ram is a sure sign of undue sidestrain through misuse.

4. Always tighten attachments and extension tubes the full thread provided.
5. Refill only with Hein-Werner Hydraulic Jack Oil. Never use hydraulic brake fluid which destroys cups and packings and voids the guarantee.

USE NEW PART NUMBER ONLY WHEN ORDERING PARTS

REV. 7-1-68

Order parts from the nearest Hein-Werner Official Service Station. Always state both model and serial number.

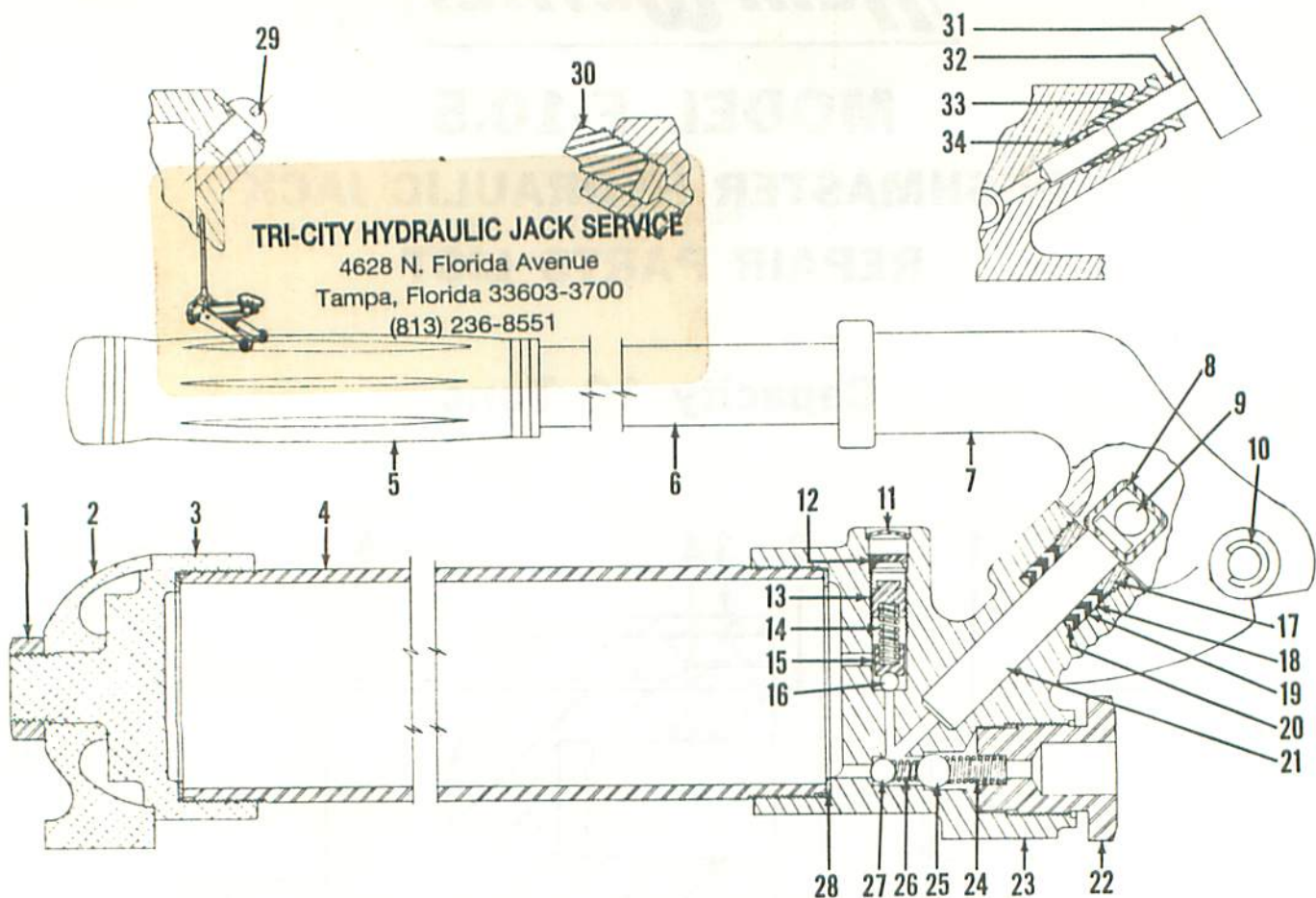
USE ONLY GENUINE HEIN-WERNER HYDRAULIC JACK OIL IN ANY HEIN-WERNER JACK

HEIN-WERNER CORPORATION

PRINTED IN U.S.A.

WAUKESHA, WISCONSIN — AJAX, ONTARIO

FP10 PUMP UNIT



FP10 PUMP UNIT PARTS

ITEM NO.	OLD PART NO.	NEW PART NO.	DESCRIPTION	ITEM NO.	OLD PART NO.	NEW PART NO.	DESCRIPTION
1		26110	3/4"-16 Half Nut	20	F3023	16635	V Spreader
2	F1004	16540	Support	21	F1016	80206	Piston
3	F1011	16550	Cap (End of Reservoir)	22	F1088	16630	Adapter (Hose)
4	F1014	16580	Reservoir Tube	23	F1010	16545	Base
5	5528R	13830	Handle Grip	24	332A	11160	Spring (Large-Pump Valve)
6	F3028	16650	Handle	25	125D	3010	Ball (Large-Pump Valve)
7	F1012	16555	Handle Socket	26	1232	2185	Spring (Small-Pump Valve)
8	178B	7205	Piston Clip	27	125C	2675	Ball (Small-Pump Valve)
9	F1021	16605	Pin (2)	28	U10107	22360	Gaskets (2)
10	389A	12345	Lock Ring (Set of 4)	29	138A	80007	Filler Screw w/139-3 Washer
11		25415	1/2" Welch Plug	30		25435	1/4"-18 Sq. Hd. Pipe Plug
12	385	11520	Seal	31	5570	14240	Release Knob
13	G67-1	17520	Screw only (Safety Valve)	32	F1019	16585	Release Stem only
14	G20	16906	Spring (Safety Valve)	33	5518	13485	Nut for Release Screw
15	G235	17055	Cap (Safety Valve)	34	136C	4520	Release Packing
16	G252	17220	Ball (Safety Valve)	35		80207	3/8"-18 Sq. Hd. Pipe Plug (Not Shown) for F1088
17	F3042	16655	Piston Packing Nut (Brass)	36	F1040-1	80208	Decal (Not Shown)
18	135-3	4330	V Packing (Set of 2)				
19	135-2	4325	V Packing (Set of 3)				

80803 KIT

REV. 7-1-68

USE NEW PART NUMBER ONLY WHEN ORDERING PARTS

Order parts from the nearest Hein-Werner Official Service Station. Always state both model and serial number.

USE ONLY GENUINE HEIN-WERNER HYDRAULIC JACK OIL IN ANY HEIN-WERNER JACK

HEIN-WERNER CORPORATION

PRINTED IN U.S.A.

WAUKESHA, WISCONSIN — AJAX, ONTARIO