

HEIN-WERNER AUTOMOTIVE

INSTRUCTION MANUAL / REPAIR PARTS LIST

E1.7F-1	HAND JACK	1-1/2 TON (1361 Kg) CAPACITY	PART CODE H60226
E3.9A-1	HAND JACK	3 TON (2722 Kg) CAPACITY	PART CODE H60243
E5.9A-1	HAND JACK	5 TON (4536 Kg) CAPACITY	PART CODE H60278
E8.9A-1	HAND JACK	8 TON (7257 Kg) CAPACITY	PART CODE H60300
E12.9A-1	HAND JACK	12 TON (10886 Kg) CAPACITY	PART CODE H60330

WARNING

1. THIS IS A LIFTING DEVICE ONLY. THE LOAD MUST BE SUPPORTED IMMEDIATELY BY OTHER APPROPRIATE MEANS.
2. DO NOT EXCEED RATED CAPACITY.
3. USE ONLY ON HARD LEVEL SURFACE CAPABLE OF SUSTAINING THE LOAD.
4. CENTER LOAD ON SADDLE.
5. IT IS YOUR RESPONSIBILITY TO KEEP WARNING DECALS LEGIBLE AND INTACT. REPLACEMENT DECALS MAY BE OBTAINED FROM THE FACTORY.
6. STUDY, UNDERSTAND, AND FOLLOW ALL INSTRUCTIONS PROVIDED WITH THIS JACK PRIOR TO OPERATION.
7. FAILURE TO HEED THESE WARNINGS MAY RESULT IN LOSS OF LOAD, DAMAGE TO JACK, OR FAILURE RESULTING IN PROPERTY DAMAGE, PERSONAL, OR FATAL INJURY.

H3128000

OWNER'S RESPONSIBILITY

Operation. The owner and/or operator shall have an understanding of these operating instructions and warnings before operating the jack. Warning information shall be emphasized and understood. If the user is not fluent in English, the instructions and warnings shall be read to and discussed with the operator in the operator's native language by the purchaser/owner, making sure that the operator comprehends its contents.

Maintenance. The jack shall be maintained in accordance with instructions listed under "Maintenance."

Inspection

1. Visual inspection shall be made before each use of the jack, checking for leaking hydraulic fluid, and damaged, loose or missing parts.
2. Each jack shall be inspected by an authorized service center immediately, if subjected to an abnormal load or shock.
3. Owners and/or users should be aware that repair of this equipment may require specialized knowledge and

facilities. It is recommended that an annual inspection of the jack be made by an authorized service center and that any defective parts, decals or warning labels be replaced with genuine factory parts. A list of authorized service centers is available from the factory.

Damaged Jacks. Any jack which appears to be damaged in any way, is found to be badly worn, or operates abnormally SHALL BE REMOVED FROM SERVICE until necessary repairs are made by an authorized service center.

INSTRUCTIONS BEFORE USE

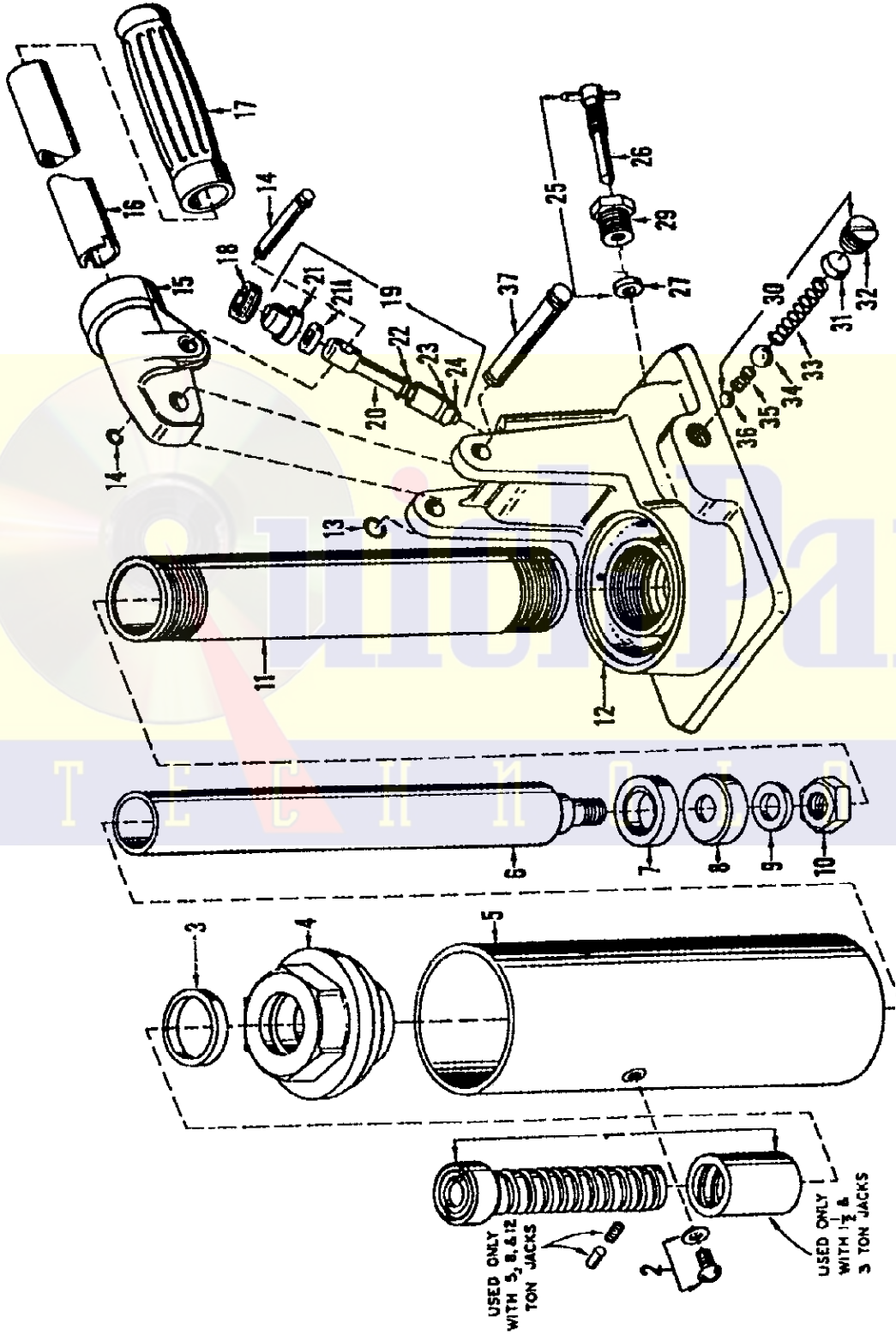
1. **Check oil level.** With the jack in an upright position and the ram completely retracted, open release valve by turning release assembly counterclockwise. Remove filler plug - the oil should be just up to the hole. Fill if necessary with clean hydraulic jack oil. Never use motor oil or brake fluid.
2. **Lubricate internal components.** With release valve open, pump handle six full strokes to assure proper internal lubrication.
3. **Bleed hydraulic system.** During transit hydraulic jacks may become "air-bound," causing spongy ram action. To bleed the hydraulic system - close the release valve by turning clockwise. Insert handle in socket and pump jack up to full height. Open the release valve, invert the jack and force the ram to retract. Repeat as required.

OPERATING INSTRUCTIONS

1. **Lifting.** Turn release assembly clockwise to close release valve. Position jack where desired and adjust extension screw if necessary, being sure that load is centered. Insert handle in socket and pump handle until load is desired height.
2. **Lowering.** Open release valve by slowly turning release assembly counterclockwise.

MAINTENANCE

1. When jack is not in use, keep the ram and extension screw completely retracted and the release valve closed.
2. Keep the jack clean. Occasionally lubricate the handle socket pivot point, extension screw, and release screw thread.
3. Frequently check oil level. For procedure see "Instructions Before Use."



PART CODE H60226
 PART CODE H60243
 PART CODE H60278
 PART CODE H60300
 PART CODE H60330

1-1/2 TON HAND JACK
 3 TON HAND JACK
 5 TON HAND JACK
 8 TON HAND JACK
 12 TON HAND JACK

USED ONLY WITH 5, 8, & 12 TON JACKS

USED ONLY WITH 1 1/2 & 3 TON JACKS

PARTS LIST - HAND JACKS

ITEM NO.	DESCRIPTION	PART NUMBERS				MODEL E12.9A-1 60330	QTY. REQUIRED
		MODEL E1.7F-1 60226	MODEL E3.9A-1 60243	MODEL E5.9A-1 60278	MODEL E8.9A-1 60300		
1	Extension Screw Assembly	H0824000	H0968500	H1454000	H1581500	H0336000	1
2	Filler Screw & Washer	H2562000	H2562000	H2562000	H2562000	H2562000	1
3	• Quad Ring	H2062500	H2067500	H2072500	H2075000	H2078500	1
4	Top Nut	H6020500	H1042300	H1312800	H1559700	H0183700	1
5	Reservoir Tube	H6020700	H1065000	H1317000	H1566100	H1493400	1
6	Ram	H0108500	H1068500	H1318500	H1515000	H0189500	1
7	Spacer	H0172000	H1071000	H1321000	H1516500	H0206000	1
8	• Cup	H0252500	H1111500	H1329000	H1524500	H0216000	1
9	Retainer	H0197000	H1103000	H1326000	H1521000	H0210500	1
10	Hex Jam Nut	H2627000	H1896000	H1896000	H1896000	H1896000	1
11	Cylinder	H0097000	H1058000	H1314500	H1563000	H0186000	1
12	Base Assembly	H6022800	H6024500	H6028000	H6030200	H6033200	1
13	• Pin Ring	H1241500	H1241500	H1241500	H1241500	H1241500	1
14	• Pin	H6028700	H6028800	H6028800	H6028800	H6028800	1
15	Handle Socket	H6243400	H6243300	H6243300	H6243300	H6243300	1
16	Handle Assembly	H6347300	H6339100	H6339100	H6339100	H6339100	1
17	Handle Grip	-----	H0933000	H0933000	H0933000	H0933000	1
18	Packing Nut	H6059900	H6059900	H6059900	H6059900	H6059900	1
19	• Piston Assembly	H8110800	H8110800	H8110800	H8110800	H8110800	1
20	Piston	H6062000	H6059500	H6059500	H6059500	H6059500	1
21	Nylon Wiper	H6062100	H6062100	H6062100	H6062100	H6062100	1
21A	Washer	H6242900	H6242900	H6242900	H6242900	H6242900	1
22	Pin Ring	H1241500	H1241500	H1241500	H1241500	H1241500	1
23	Back Up Washer	H0594500	H0594500	H0594500	H0594500	H0594500	1
24	U - Cup	H0391000	H0391000	H0391000	H0391000	H0391000	1
25	Release Screw Assembly	H6679100	H6679100	H6679100	H6679100	H6679100	1
26	Release Screw	H6679000	H6679000	H6679000	H6679000	H6679000	1
27	• Packing	H0452000	H0452000	H0452000	H0452000	H0452000	1
29	Nut	H0129000	H0129000	H0129000	H0129000	H0129000	1
30	• Pump Valves	H8012700	H8034500	H8034600	H8034800	H8034800	1
31	Seal	H1152000	H1152000	H1152000	H1152000	H1152000	1
32	Plug	H1185500	H1185500	H1185500	H1185500	H1185500	1
33	Spring	H1116000	H1133000	H1336500	H1528000	H1528000	1
34	Ball 3/8 Dia.	H0301000	H0301000	H0301000	H0301000	H0301000	1
35	Spring	H0218500	H0218500	H0218500	H0218500	H0218500	1
36	Ball 1/4 Dia.	H0267500	H0267500	H0267500	H0267500	H0267500	1
37	Pin	H1086000	H1086000	H1086000	H1086000	H1086000	1
38	Product Decal (Not Shown)	H3229000	H3229100	H3229200	H3229300	H3229500	1
39	Warning Decal (Not Shown)	H3128000	H3128000	H3128000	H3128000	H3128000	1
40	Repair Kit (Not Shown)	H8073500	H8073700	H8073800	H8073900	H8074000	1

* indicates items included in Repair Kit.