



PALLET JACK-2.5TON

Model 39939

SET UP AND OPERATING INSTRUCTIONS



Visit our website at: <http://www.harborfreight.com>



**Read this material before using this product.
Failure to do so can result in serious injury.
SAVE THIS MANUAL.**

Copyright© 1999 by Harbor Freight Tools®. All rights reserved. No portion of this manual or any artwork contained herein may be reproduced in any shape or form without the express written consent of Harbor Freight Tools. Diagrams within this manual may not be drawn proportionally. Due to continuing improvements, actual product may differ slightly from the product described herein. Tools required for assembly and service may not be included.

For technical questions or replacement parts, please call 1-800-444-3353.

Manual revised 09c

SAVE THIS MANUAL

Keep this manual for the safety warnings and precautions, assembly, operating, inspection, maintenance and cleaning procedures. Write the product's serial number in the back of the manual near the assembly diagram (or month and year of purchase if product has no number). Keep this manual and the receipt in a safe and dry place for future reference.

SPECIFICATIONS

Capacity	2.5 tons (5,000 lb.)
Fork Length	47-1/2"
Width Over Fork	27"
Lowered Height	3"



IMPORTANT SAFETY INSTRUCTIONS!



READ ALL INSTRUCTIONS BEFORE USING THIS PRODUCT!

Warning: The warnings, cautions and instructions discussed in this instruction manual cannot cover all possible conditions and situations that may occur. It must be understood by the operator that COMMON SENSE AND CAUTION ARE FACTORS WHICH CANNOT BE BUILT INTO THIS PRODUCT, BUT MUST BE SUPPLIED BY THE OPERATOR.

The Operator

1. Do not operate the product if under the influence of alcohol or drugs. Read warning labels on prescriptions to determine if your judgment/reflexes might be impaired.
2. Do not wear loose clothing or jewelry as they can be caught in moving parts.
3. Protective gloves and non-skid footwear is recommended.
4. Wear restrictive hair covering to contain long hair.
5. Wear ANSI approved impact safety goggles during setup and use.
6. Maintain proper footing and balance at all times.
7. Do not exceed the 2.5 Ton Load Capacity. Do not force the tool to do the work of a larger industrial tool. It is designed to do the job better and more safely at the rate for which it was intended.
8. Before each use of the tool, carefully inspect the wheels, Handle Frame, Chassis and Handle for proper operation. Do not use the Jack unless all components are operating properly.

Work Area

TO AVOID RISK OF PERSONAL INJURY, EQUIPMENT DAMAGE, FIRE AND SHOCK, MAKE SURE YOUR **WORK AREA** IS:

1. Free of damp, wet or rainy conditions.
2. Free of children (do not let them handle tools or machinery).
3. Well-lit.
4. Clean and uncluttered.

Before Operating

1. Before using any tool, any part that appears damaged should be carefully checked to determine that it will operate properly and perform its intended function.
2. Before operating your Jack, check for damaged parts.
3. When raising, moving and lowering loads, keep individuals away from underneath the load.
4. Before moving a load, make certain that it is properly balanced.
5. Make sure all clamps, locks and bolts are tight.

Jack Specific Warnings

1. Do not place any part of the body in the lifting mechanism, or under the forks, or under the load.
2. Do not carry passengers on the Jack.
3. Use common sense when handling wide or long loads. Do not load unstable or loosely stacked loads.
4. Do not exceed the 5,000 Lb. capacity - This capacity assumes an evenly distributed load with the center of the load being at the halfway point of the length of the forks.
5. When not in use, lower the Jack forks to the lowest height.
6. Do not operate on a grade with loads too heavy to be easily handled by the operator.
7. Since this is a manually operated Jack, the operator must be physically capable of safely handling the Jack and the load.

UNPACKING

When unpacking, make sure that the item is intact and undamaged. If any parts are missing or broken, please call Harbor Freight Tools at the number shown on the cover of this manual as soon as possible.

ASSEMBLY

Your Jack will require some limited assembly. To assist you with assembly and operation please refer to the Assembly Diagram and Parts List located on pages 6, 7, and 8.

Note: Tighten hardware to no more than 43 ft-lb using a torque wrench (not included).

1. Remove the three Bolts (L111) from the plastic bag.
2. Pass the Adjusting Bolt (L116) through the hole in the center of the Axle with Hole (L331) while you set the Handle (L110) on the Bracket (L319).
3. Insert the three bolts (L111) through the Washers (L112) and the Handle, into the Bracket. Tighten them.
4. Raise the Lever Plate (L345) and insert the Adjusting Bolt (L116) into the front slot, making sure to keep the Adjusting Nut (L117) on the under side of the Lever Plate.

OPERATION

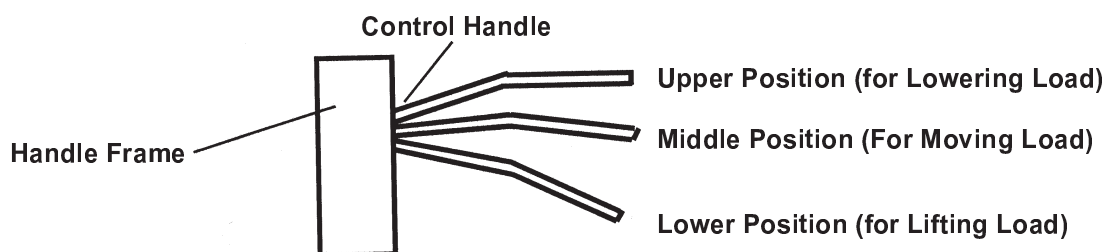


Figure 1

Located on the main part of the Handle of the Jack, you will find the Control Handle (part #L108-Handle) which can be set to three different positions. These three positions are for lifting, lowering and locking the load. Please refer to Figure 1 as well as the instructions which follow.

Lifting the Pallet

1. To raise the Forks, place the Control Handle (L108) in the lower position for lifting. The Control Handle will be at its position closest to the floor. Pump the Handle Frame up and down to lift with the Jack.
2. If the forks descend while pumping in the lower position, please adjust the Adjusting Nut or the Adjusting Screw as indicated under the section below called "Moving the Load-Adjusting."

Moving the Load

To haul the load, place the Control Handle in the middle or neutral position. This will set the Pallet in position so that the load can be transported.

Adjusting

1. If the forks lift while pumping while in the middle position, turn the Adjusting Nut (L117) on the Adjusting Bolt (L116) clockwise. You can also turn the Adjusting Screw (L346) clockwise until any pumping action does not raise the Pallet. This means the middle or neutral setting is working properly.
2. If the forks descend while pumping in the middle position, turn the Nut (L117) or the Screw (L346) counter-clockwise until the forks no longer lower.

Lowering the Pallet

1. By setting the Control Handle to the Upper Position, you will lower the load. The Pallet will move to its lowest position automatically.
2. If the forks do not lower when the Control Handle is in the Top position, turn the Adjusting Nut (L117) or the Adjusting Screw as indicated under Moving the Load-Adjusting. If they still do not lower, refer to Troubleshooting section.

MAINTENANCE

IF THERE IS ANY QUESTION ABOUT A CONDITION BEING SAFE OR UNSAFE, DO NOT OPERATE THE TOOL.

1. Clean area around foot lever/valve after every use. Lower jack completely after use.
2. Replace handle if pin breaks.

Checking the Oil

1. Only check the oil level when the Jack is in a lowered position and parked on a level surface.
2. Remove the Oil Plug on the Jack.
3. Oil should be level with the plug hole. If it is not, add a high-quality hydraulic oil.
4. Check the seal before replacing the plug.

Troubleshooting

Problem	Possible Causes	Likely Solutions
The forks cannot raise completely.	Insufficient oil.	Refill oil (see instructions above).
The forks will not raise.	1. Insufficient oil. 2. Air in valve chamber. 3. Old/contaminated oil.	1. Refill oil (see instructions above). 2. Raise the Control Handle to the Upper position and pump the handle several times. 3. Change oil and replace Seals.
The forks will not descend.	1. Deformed piston rod. 2. Piston rod rusted. 3. Control handle, bolt, or chain broken or missing.	1. Replace piston rod and cylinder. 2. Lubricate/replace rod. Keep jack in lowered position when not in use. 3. Replace the Handle Assembly.
Fluid Leak.	Component, likely seal, worn or damaged.	Inspect and replace worn or damaged parts.
Forks descend without operating release valve.	1. Contaminated oil clogging valve. 2. Hydraulic component damaged.	1. Clean valve with kerosene and change oil. 2. Replace damaged part.



Follow safety precautions whenever diagnosing or servicing the tool.

LIMITED 90 DAY WARRANTY

Harbor Freight Tools Co. makes every effort to assure that its products meet high quality and durability standards, and warrants to the original purchaser that this product is free from defects in materials and workmanship for the period of 90 days from the date of purchase. This warranty does not apply to damage due directly or indirectly, to misuse, abuse, negligence or accidents, repairs or alterations outside our facilities, criminal activity, improper installation, normal wear and tear, or to lack of maintenance. We shall in no event be liable for death, injuries to persons or property, or for incidental, contingent, special or consequential damages arising from the use of our product. Some states do not allow the exclusion or limitation of incidental or consequential damages, so the above limitation of exclusion may not apply to you. THIS WARRANTY IS EXPRESSLY IN LIEU OF ALL OTHER WARRANTIES, EXPRESS OR IMPLIED, INCLUDING THE WARRANTIES OF MERCHANTABILITY AND FITNESS.

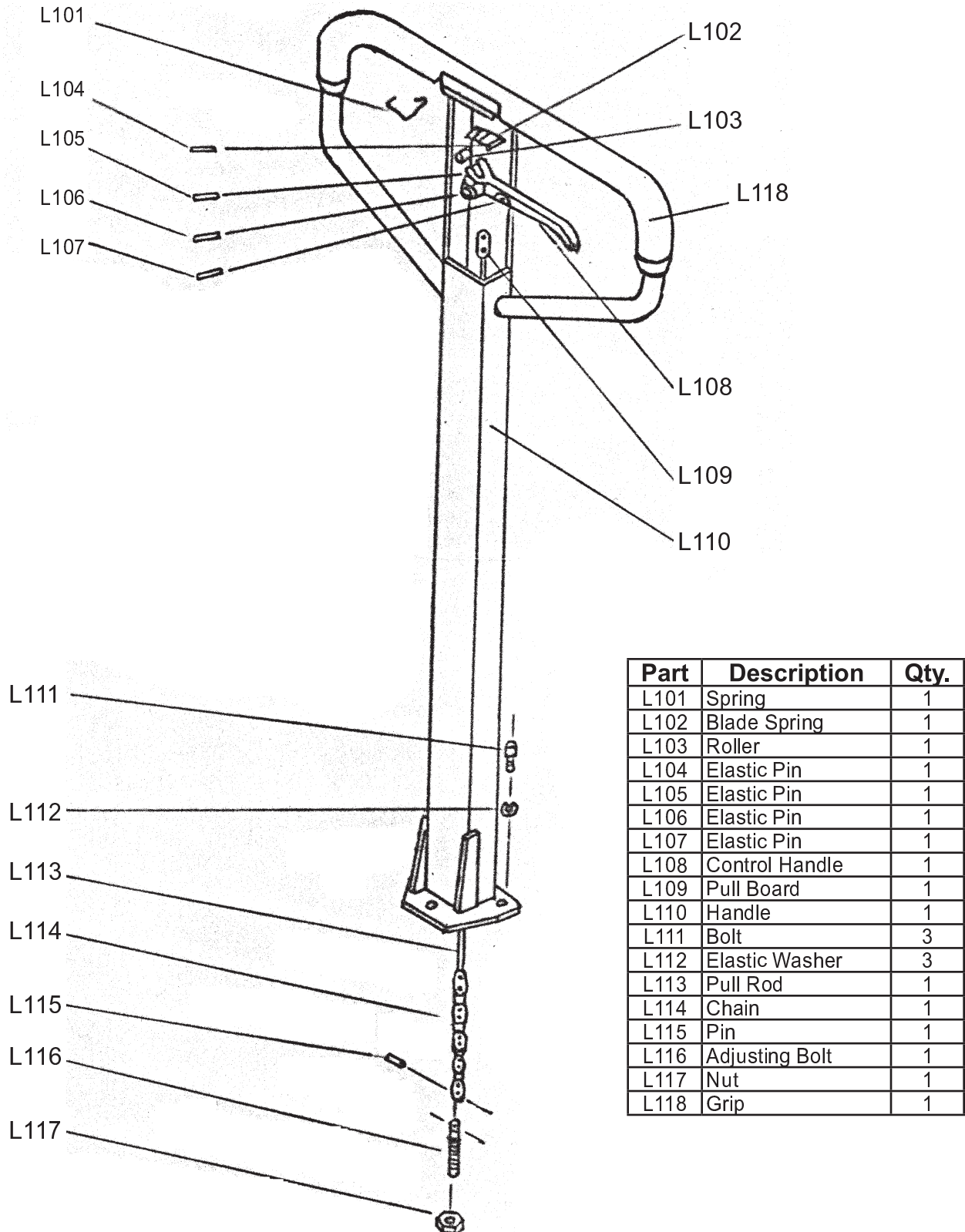
To take advantage of this warranty, the product or part must be returned to us with transportation charges prepaid. Proof of purchase date and an explanation of the complaint must accompany the merchandise. If our inspection verifies the defect, we will either repair or replace the product at our election or we may elect to refund the purchase price if we cannot readily and quickly provide you with a replacement. We will return repaired products at our expense, but if we determine there is no defect, or that the defect resulted from causes not within the scope of our warranty, then you must bear the cost of returning the product.

This warranty gives you specific legal rights and you may also have other rights which vary from state to state.

3491 Mission Oaks Blvd. • PO Box 6009 • Camarillo, CA 93011 • (800) 444-3353

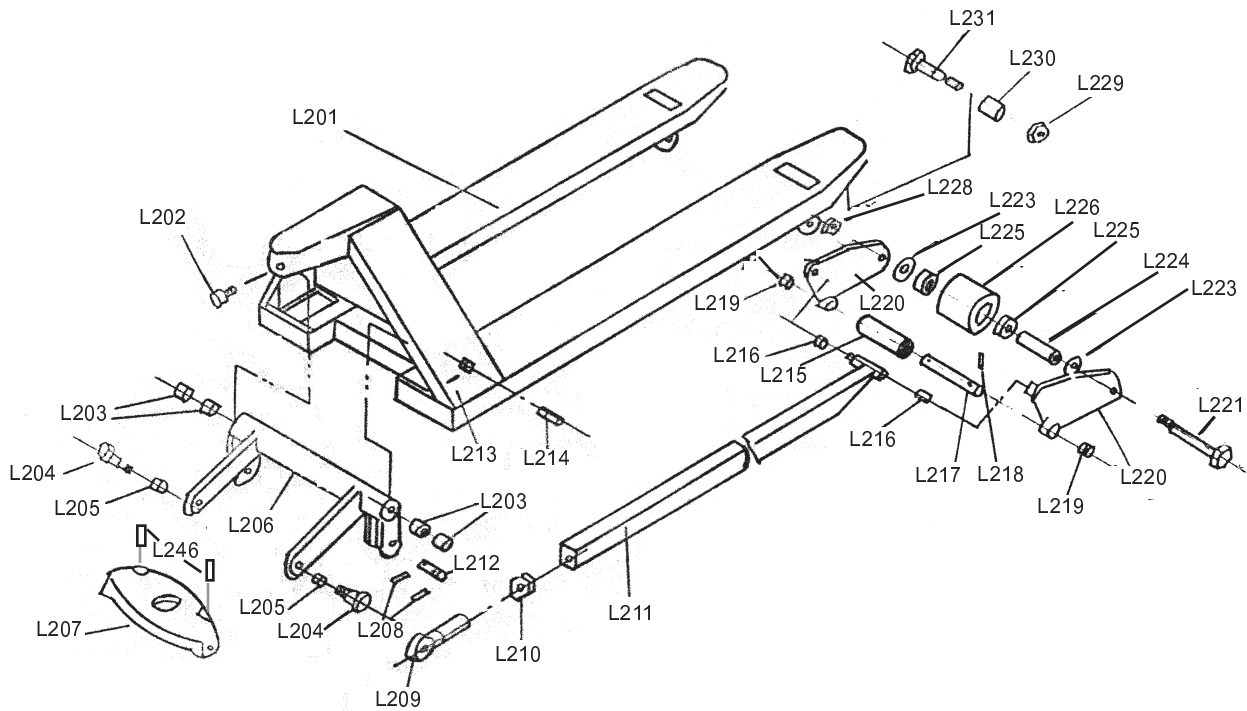
PARTS LISTS AND DIAGRAMS

Handle Parts List and Diagram



Part	Description	Qty.
L101	Spring	1
L102	Blade Spring	1
L103	Roller	1
L104	Elastic Pin	1
L105	Elastic Pin	1
L106	Elastic Pin	1
L107	Elastic Pin	1
L108	Control Handle	1
L109	Pull Board	1
L110	Handle	1
L111	Bolt	3
L112	Elastic Washer	3
L113	Pull Rod	1
L114	Chain	1
L115	Pin	1
L116	Adjusting Bolt	1
L117	Nut	1
L118	Grip	1

Fork Parts List and Diagram



Part	Description	Qty.
L201	Chassis	1
L202	Lock Bolt	1
L203	Bushing	4
L204	Shoulder Bolt	2
L205	Bushing	2
L206	Torsion Tube	1
L207	Thrust Plate	1
L208	Elastic Pin	4
L209	Eye Bolt	2
L210	Nut	2
L211	Push Rod	2

Part	Description	Qty.
L212	Eye Bolt Axle	2
L213	Elastic Pin	2
L214	Torsion Tube Axle	2
L215	Roller	2
L216	Bushing	1
L217	Axle	2
L218	Elastic Pin	4
L219	Bushing	4
L220	Wheel Frame	4
L221	Bolt	2
L223	Washer	4

Part	Description	Qty.
L224	Wheel Axle	2
L225	Bearing	4
L226	Wheel	2
L228	Self-Locking Nut	2
L229	Nut	4
L230	Entry Roller	2
L231	Bolt	2
L246	Elastic Pin	2

PLEASE READ THE FOLLOWING CAREFULLY

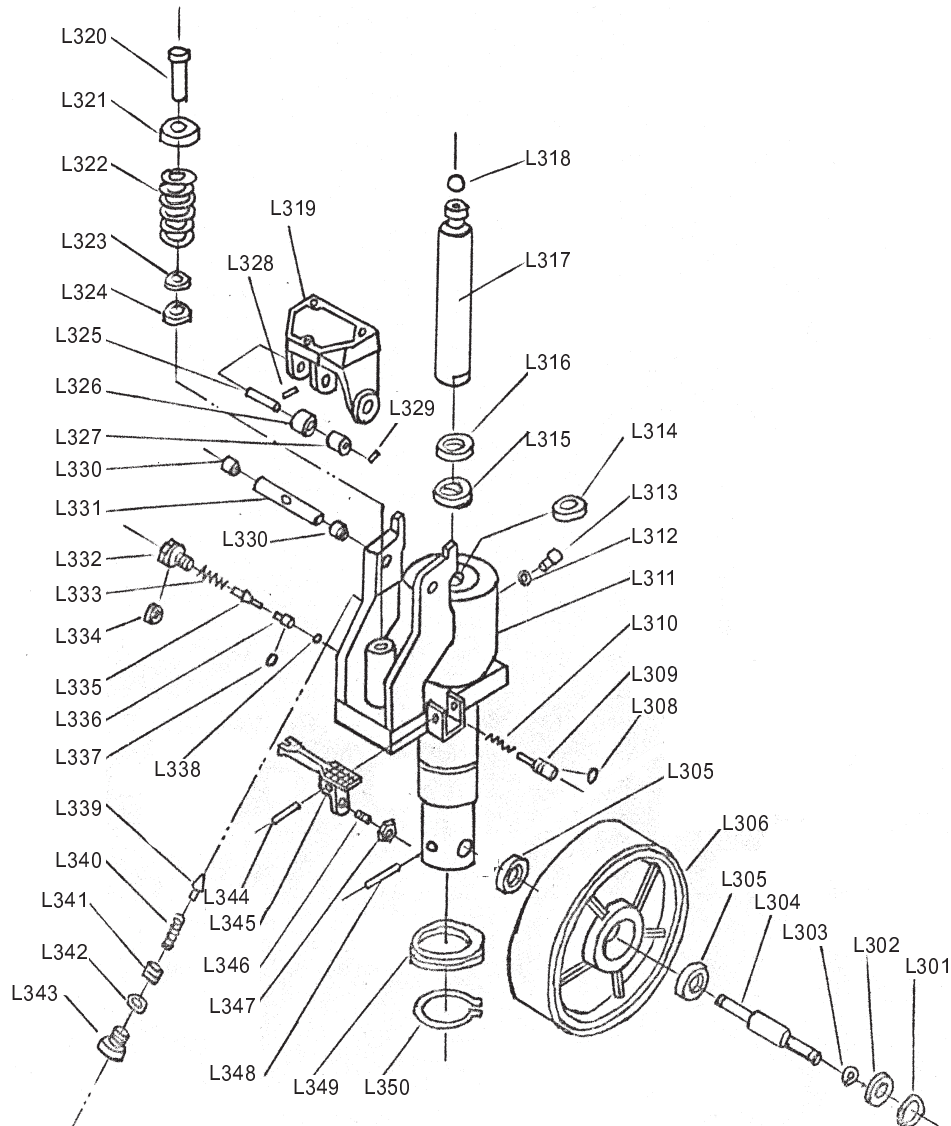
THE MANUFACTURER AND/OR DISTRIBUTOR HAS PROVIDED THE PARTS LIST AND ASSEMBLY DIAGRAM IN THIS MANUAL AS A REFERENCE TOOL ONLY. NEITHER THE MANUFACTURER OR DISTRIBUTOR MAKES ANY REPRESENTATION OR WARRANTY OF ANY KIND TO THE BUYER THAT HE OR SHE IS QUALIFIED TO MAKE ANY REPAIRS TO THE PRODUCT, OR THAT HE OR SHE IS QUALIFIED TO REPLACE ANY PARTS OF THE PRODUCT. IN FACT, THE MANUFACTURER AND/OR DISTRIBUTOR EXPRESSLY STATES THAT ALL REPAIRS AND PARTS REPLACEMENTS SHOULD BE UNDERTAKEN BY CERTIFIED AND LICENSED TECHNICIANS, AND NOT BY THE BUYER. THE BUYER ASSUMES ALL RISK AND LIABILITY ARISING OUT OF HIS OR HER REPAIRS TO THE ORIGINAL PRODUCT OR REPLACEMENT PARTS THERETO, OR ARISING OUT OF HIS OR HER INSTALLATION OF REPLACEMENT PARTS THERETO.

Record Product's Serial Number Here: _____

Note: If product has no serial number, record month and year of purchase instead.

Note: Some parts are listed and shown for illustration purposes only, and are not available individually as replacement parts.

Jack Parts List and Diagram



Part	Description	Qty.	Part	Description	Qty.	Part	Description	Qty.
L301	Snap Ring	2	L318	Ball	1	L335	Valve Pin	1
L302	Hub Cap	2	L319	Bracket	1	L336	Valve	1
L303	Snap Ring	2	L320	Pump Piston	1	L337	O-ring	1
L304	Axle of Big Wheel	1	L321	Cap of Piston	1	L338	Ball	1
L305	Bearing	4	L322	Spring	1	L339	Safe Valve Pin	1
L306	Big Wheel	2	L323	Wiper	1	L340	Spring	1
			L324	Y-Seal	1	L341	Adjusting Bolt	1
L308	O-Ring	2	L325	Axle of Roller	1	L342	Seal Washer	1
L309	Release Valve	1	L326	Pressure Roller	1	L343	Plug Bolt	1
L310	Spring	1	L327	Bushing	1	L344	Pin	1
L311	Cylinder Body	1	L328	Elastic Pin	1	L345	Lever	1
L312	Seal Washer	1	L329	Elastic Pin	1	L346	Adjusting Screw	1
L313	Bolt	1	L330	Bushing	2	L347	Nut	1
L314	Y-Seal	1	L331	Axle with Hole	1	L348	Elastic Pin	1
L315	Y-Seal	1	L332	Plug Bolt	1	L349	Thrust Bearing	1
L316	Wiper	1	L333	Spring	1	L350	Snap Ring	1
L317	Lift Piston	1	L334	Seal Washer	1			