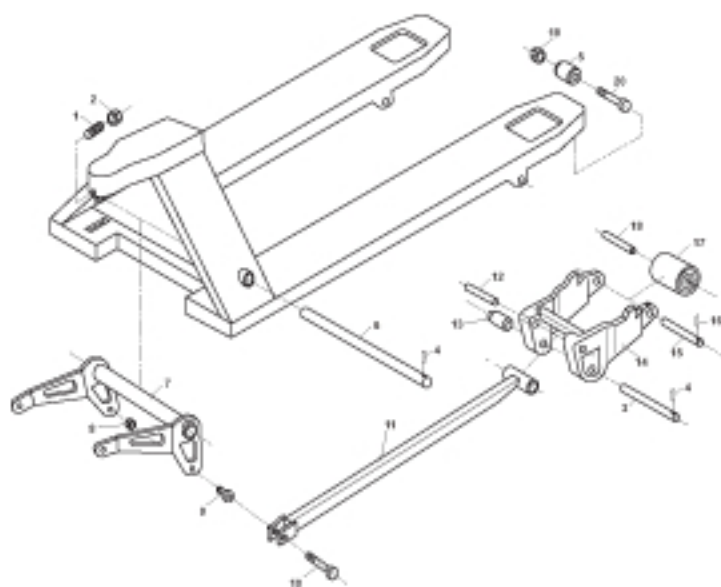
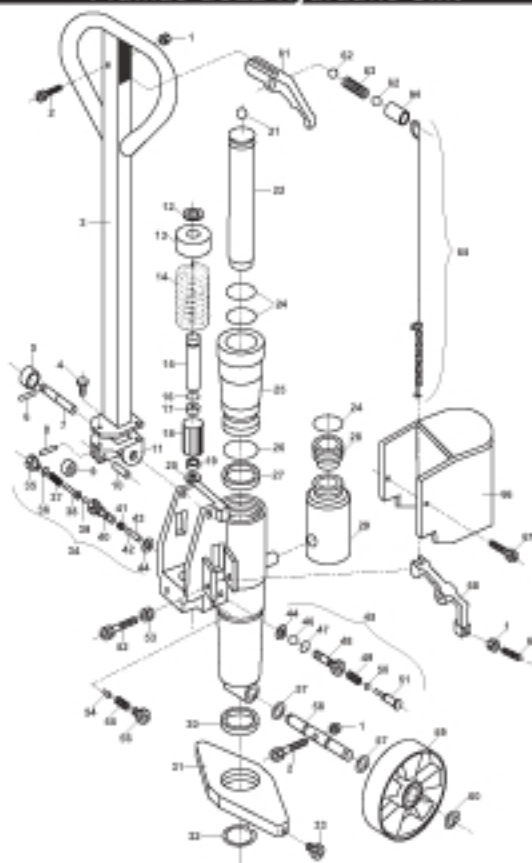


# PALLET JACK PARTS

## Pramac GS22 Frame



## Pramac GS22 Hydraulic Unit



### Pramac GS22 Frame

Item#	Part#	Description
1	G032307	Set Screw
2	G032308	Nut
3	S000200680	Pivot Axle
4	G044312	Roll Pin
5	G044103	Entry Roller
6	S000482642	Lifting Link (Steel), 27" Wide Jack
	S0003015036	Lifting Link (Steel), 20-1/2" Wide Jack
7	S0013020079	Lifting Link, 27" Wide Jack
	S000482646	Lifting Link, 20-1/2" Wide Jack
8	G032312	Nut

Item#	Part#	Description
9	S0000015006	Eccentric
10	G032225	Bolt
11	S001200155	Push Rod, 36" Forks
	S001200157	Push Rod, 42" Forks
	S001200158	Push Rod, 48" Forks
12	S000209503	Push Rod Axle
13	G056291	Roller
14	S0012002064	Load Roller Bracket
15	S000209504	Load Roller Axle
16	G044307	Roll Pin

Item#	Part#	Description
17	S0002010026-D	Load Roller Assembly, Red Ultra Poly On Aluminum Hub W/ Bearings
	S0002010026	Load Roller Assembly, Black Ultra Poly On Steel Hub W/ Bearings
18	S000200625	Bushing
19	G056100-W	Nut
20	G056100-B	Bolt

### Pramac GS22 Hydraulic Unit

Item#	Part#	Description
1	G032300	Nut
2	G032306	Screw
3	S0004010045	Handle Assembly
4	G032112	Bolt
5	S0004010032	Bushing
6	G044309-R	Pin
7	S0004010035	Pin
8	G044307	Roll Pin
9	S0004010001	Roller
10	S0004010032	Pin
11	06001052	Handle Bracket
12	G042500	Snap Ring
13	G09407	Sealing Cap
14	G001142	Spring
15	S0014010003	Pump Piston
16 A	G095006	O-Ring
17 A	G095204	Seal
18	S0014010002	Cylinder
19	S0014010002	Nylon Bushing
20	G094006	Washer
21	G014103	Ball
22	S0004010007	Piston
24 A	G095006	O-Ring
25	P0004010067	Top Nut/Cylinder
26 A	G095004	O-Ring

Item#	Part#	Description
27 A	G095201	Seal
28	S0004010001	Reservoir Cap
29	S0004010001	Oil Reservoir
30	G000220	Inverse Bearing
31	S0014010004	Inverse
32	G042140	Snap Ring
33	S0004010007	Shoulder Bolt
35 C	S0004010014	Cap Plug
36 C	G095102	Washer
37 C	G001101	Spring
38 C	S0004010013	Roll Guide
39 C	G095106	Bolt
40 C	S0004010012	Valve
41 C	G001103	Spring
42 A.C	G095405	O-Ring
43 C	G095202	Pin
44 A.C	G095201	Washer
45 B	G095104	Bolt
47 B	G095405	O-Ring
48 B	S0004010010	Valve Seat
49 B	G001102	Spring
50 A.B	G095402	O-Ring
51 B	S0004010011	Valve Plug
52	G032220	Bolt
53	G044401	Nut

Item#	Part#	Description
54	S0004010005	Core
55	G000104	Spring
56	G032300	Screw
57	G000100	Washer
58	S0004010015	Steer Wheel Axle
59	S0014010026-HD	Steer Wheel Assembly, Red Ultra Poly On Aluminum Hub W/ Bearings
	S0014010026-ST	Steer Wheel Assembly, Poly On Nylon Hub W/ Bearings
	S0004010065	Steer Wheel Assembly, Nylon W/ Bearings
60	G042129	Snap Ring
61	S0004010006	Control Lever
62	G015104	Ball
63	G000126	Spring
64	S0004010022	Control Lever Bushing
65	S0004010025	Control Rod End Linkage
66	S0004010005	Reservoir Gasket
67	S0004010003-S	Screw
68	G01405	Pump Lever
69	G032102	Screw
KTS A	G090000	Seal Kit
KTS B	S0004010025	Ball Valve Kit
KTS C	S0004010036	Valve Kit
HLGS-22		Rebuild Hydraulic Unit - Exchange