



3501 S. Leonard Rd.  
 P.O. Box 728  
 St. Joseph, Missouri 64502  
 U.S.A.  
 Toll Free: (800) 821-7320  
 Phone: (816) 233-6121  
 Fax: (816) 233-7251  
 Email: gray@grayusa.com  
 www.grayusa.com

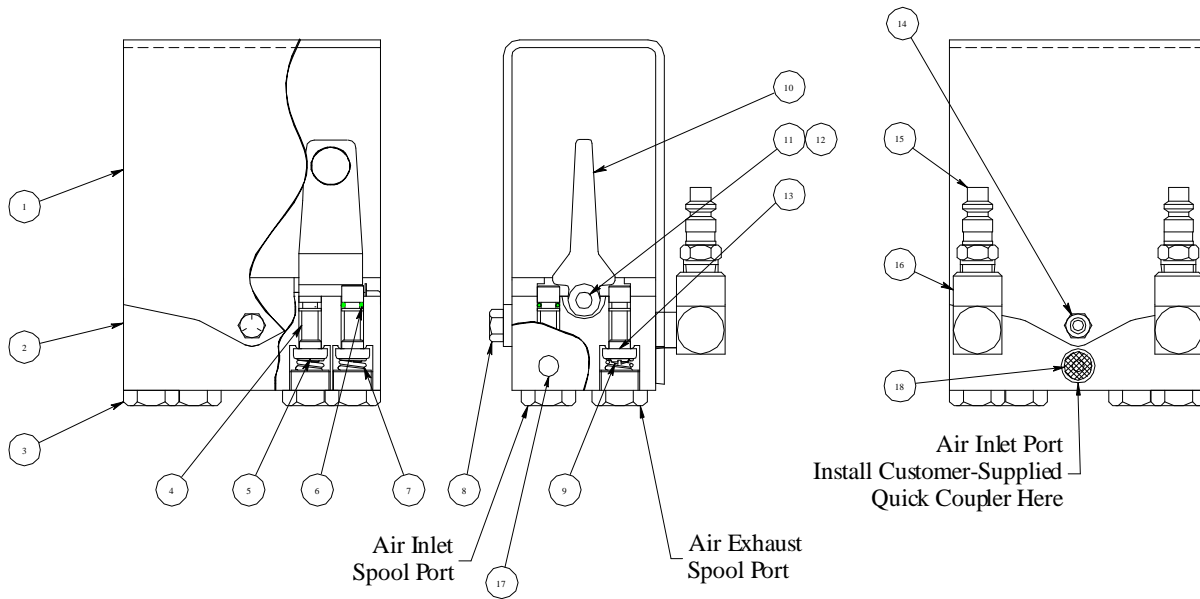
# Parts & Placard List

## WL-30

### Wheel Lift System

Serial Number 92-003140 & Up

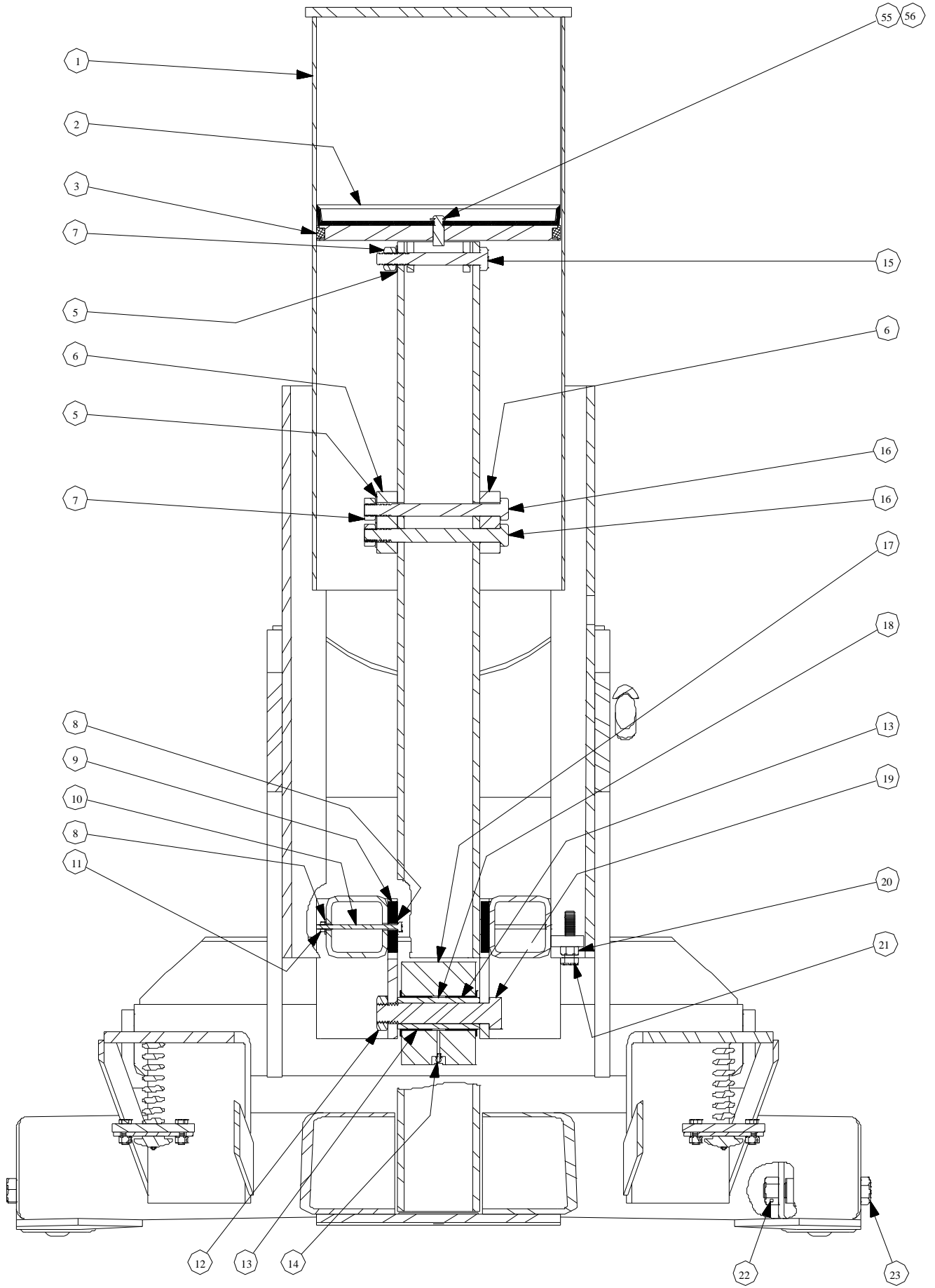
### Air Control Unit List

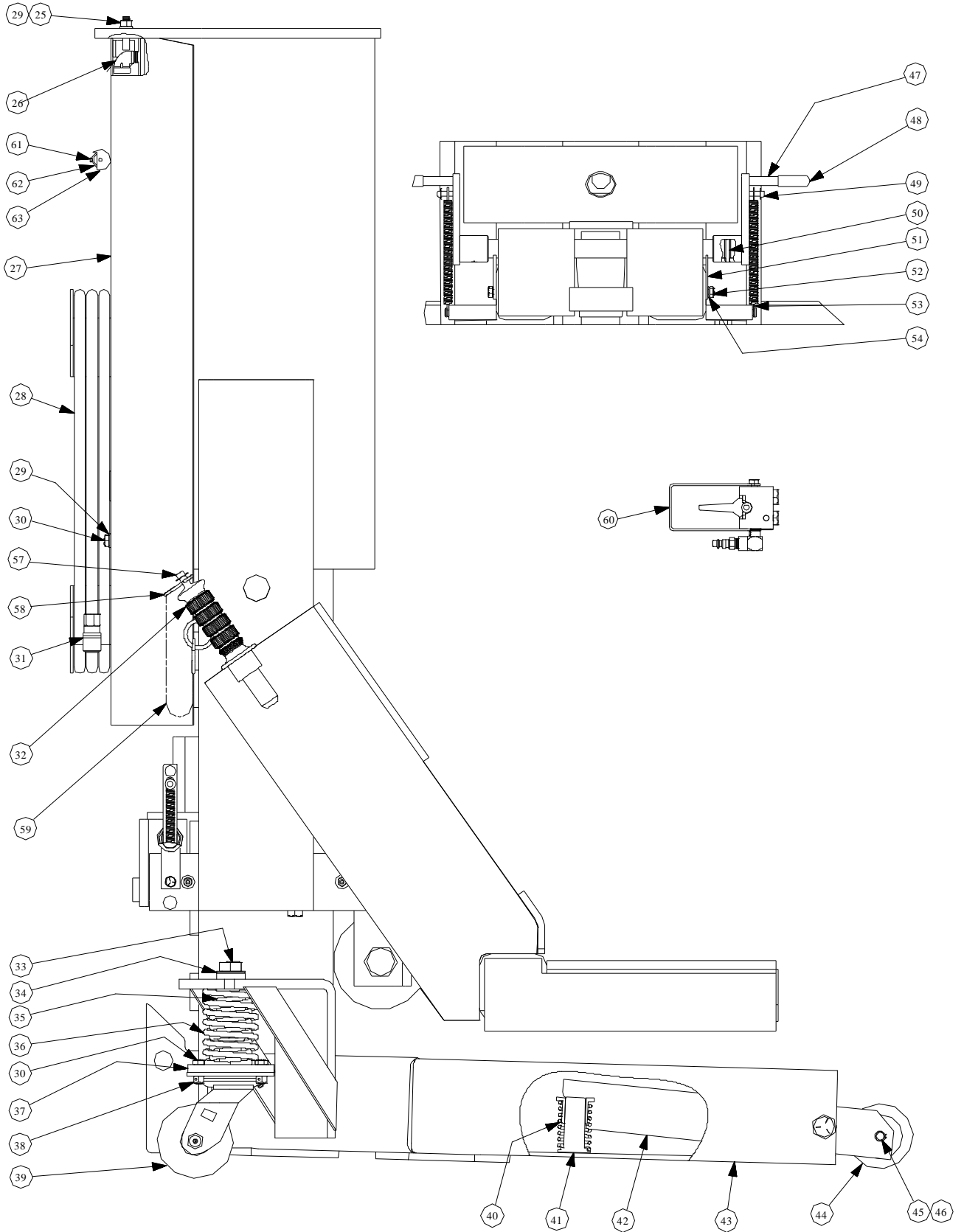


Item	Qty	Part Number	Description
1	1	1-312-91011	Valve Bracket
2	1	4-312-91013	Valve Body
3	4	1-275-21004	Plug
4	4	1-312-91002	Spool
5	4	1-312-91003	Cup
6	2	0-390-00005	O-Ring 11/32 OD 7/32 ID, ARP-009, 70 Duro, Buna-N
7	4	1-233-12001	Spring, Compression, .420 OD
8	1	0-200-31113	Capscrew, Hex Head, 5/16-18 UNC, Steel, Grade 5, 2 3/4" Long
9	4	0-202-10601	Screw, Binder Head, #6-32 UNC, Brass, 1/4" Long
10	2	1-232-20126	Lever Handle Drilled
11	2	0-203-51003	Nut, 1/4 Palnut, Washer Cap Type, PW25009, Plated
12	1	8-009-60038	Bar, Round, 1/4 Dia, EMS 1-2, 3 15/16" Long
13	4	1-390-10006	Seal, 15/32 OD, 3/16 ID, 1/8 Deep
14	1	1-203-01102	Nut, Hex, 5/16-18 UNC, Steel, Plated, Self Locking
15	2	1-272-12003	Coupler Plug, Male, 1/4-18 NPT
16	2	1-274-02004	Adapter, 90, Ext. Pipe / Int. Pipe
17	5	1-353-49158	Expansion Plug
18	1	1-312-91004	Screen

# Final Assembly Parts List

Item	Qty	Part Number	Description
1	1	892-02002	Top Weldment
2	1	391-05010	Packing, Molded, 12" Dia.
3	1	390-16005	Wiper Ring, Molded, 12" Bore
5	3	204-01614	Washer, Plain, 5/8 Type - B, Plated, 1 1/4 O.D., Narrow Rim
6	2	801-04062	Stop Block, Drilled
7	3	203-01601	Nut, Hex, 5/8-11, Steel, Plated, Self Locking
8	8	204-01000	Washer, Plain, 1/4" W, Type A, Steel, Plated
9	2	892-04024	Bearing, Plain, Linear, Phenolic Wear Pad
10	4	200-31018	Capscrew, Hex Head, Steel, 1/4 - 20UNC, Grade 5, 4" Long
11	4	203-01005	Nut, Hex, 1/4 - 20UNC, Self Locking, Plated
12	1	203-11900	Nut, Hex, Jam 1-8UNC, Steel, Plated
13	2	441-24001	Bearing, Plain, Flanged, 1 1/2 Nom. I.D. X 1 5/8 O.D. X 1 1/2" Long
14	1	400-50000	Grease Fitting, 3/16 Drive
15	1	200-41620	Capscrew, Hex Head, 5/8 - 11UNC, Steel, Plated, 5" Long, Grade 8
16	2	202-01600	Capscrew, Special, 5/8 - 11UNC, Steel, Unplated, 6 5/8 Long
17	1	480-00024	Wheel, 5" Diameter, Steel
18	1	441-03002	Bearing, Plain, Cylindrical, 1.500 O.D. X 1.030 I.D.
19	1	202-01900	Bolt, Hex Head, 1 - 8UNC, Steel, Unplate, 5 1/2" Long
20	1	203-01400	Nut, Hex, 1/2-13 UNC, Reg. Steel, Plated
21	1	202-01413	Capscrew, Hex Hd., 1/2-13UNC, Std. Pld, Gr 5, 2 1/4 Lg, Full Length Thread
22	2	203-01705	Nut, Hex, 3/4-10UNC, Steel, Plated, Self Locking
23	2	202-01708	Capscrew, Special, 3/4-10UNC, Steel, Grade 5, Plated, 4 3/4" Long
25	2	203-01200	Nut, Hex, 3/8-16, Steel, Regular, Plated
26	1	275-11001	Elbow, Street, 1/4 NPT, 90°, 150# Maleable Iron
27	1	892-02004	Back Cover Weldment
28	1	271-02002	Hose Assembly, Single Wire Reinforced, 1/4" I.D., SAE 100R7, 25' Long
29	3	204-11201	Washer, Lock, Split Type, 3/8 Medium, Steel, Unplated
30	9	200-31206	Capscrew, Hex Head, 3/8 - 16UNC, Steel, Grade 5, Plated, 1" Long
31	1	272-12002	Quick Disconnect
32	1	232-20116	Handle Grip, 1" I.D. X 4 3/4" Long
33	2	200-31708	Capscrew, Hex Head, 3/4-10UNC, Steel, Grade 5, Plated, 1 1/2" Long
34	2	204-01711	Washer, Special, 1 1/2 O.D., 49/64 I.D., 1/16 Thick
35	2	233-15005	Spring, Compression, 2 1/4 O.D. X 5.000" Long
36	2	233-16001	Spring, Compression, 2 29/32 O.D. X 5.000" Long
37	2	870-02020	Caster Extension Weldment
38	8	203-01202	Nut, Hex, 3/8 - 16UNC, Steel, Plated, Self Locking
39	2	480-11038	Caster, Swivel Plate, 4" Dia. Phenolic Wheel
40	2	233-15003	Spring, Compression, 1 3/4 O.D.
41	2	870-04007	Spring Guide Pin
42	2	892-02007	Caster Pivot Arm Weldment
43	1	892-02001	Base Weldment
44	2	480-00035	Wheel, 3 1/2 O.D. X 1/2 Bore
45	2	470-21006	Shaft, Grooved Ends, 1/2 Dia., X 2.500 Long
46	4	230-11004	Retaining Ring, External, Heavy Duty, 1/2" Dia.
47	2	870-02017	Downstop Release Handle Weldment
48	2	232-20127	Grip, .437 I.D. X 1 1/2" Long
49	2	203-51003	Nut, 1/4 Palnut, 1/4 Dia., Washer Cap Type, PW25009, Plated
50	2	235-21023	Roll Pin, 1/4 Dia., 1 3/8" Long
51	2	870-04085	Pin Support Bracket
52	2	200-31102	Capscrew, Hex Head, 5/16 - 18UNC, Steel, Grade 5, Plated, 1/2" Long
53	2	233-02008	Spring, Extension, .437 Dia., 5" Long
54	2	204-11103	Washer, Lock, Split Type, 5/16 Med., Steel
55	1	204-01401	Washer, Flat, Machinery Bushing, 1/2 X 18 Ga.
56	1	230-11000	Retaining Ring, External, 1/2" Dia.
57	1	203-51200	Nut, 3/8, PALNUT, PW-375012
58	2	234-39011	Hook, S-Type
59	1	234-32036	Chain, Jack, #12, .105 Dia. Wire, Steel, Plated, 14" Long
60	1	312-01012	Valve, Dual, 3-Way
61	2	200-31008	Capscrew, 1/4-20UNC, 1 1/2" Long
62	1	870-04078	Handle
63	2	232-20001	Hand Grip, 7/8" Dia. X 5" Long





# Placard List

Item	Qty	Part Number	Description
1	1	670-10203	Information Placard, Air Hose Replacement
2	1	670-10176	Information Placard, Multi-Language
3	1	670-10198	Information Placard, Warning, Hose Pinching
4	1	670-10329	Information Placard, Operating Instructions, Wheel Lift System
5	1	670-10192	Information Placard, Downstop Pawl
6	1	670-10343	Information Placard, Air Control Unit Operating Instructions
7	1	670-10415	Information Placard, Air Control Operating Instructions, Spanish
8	2	670-10359	Information Placard, Warning, WPLS-160
9	1	670-00226	Identification Placard, WL-30
10	1	670-10165	Information Placard, Made In USA
11	1	670-10230	Information Placard, Tire Placement

