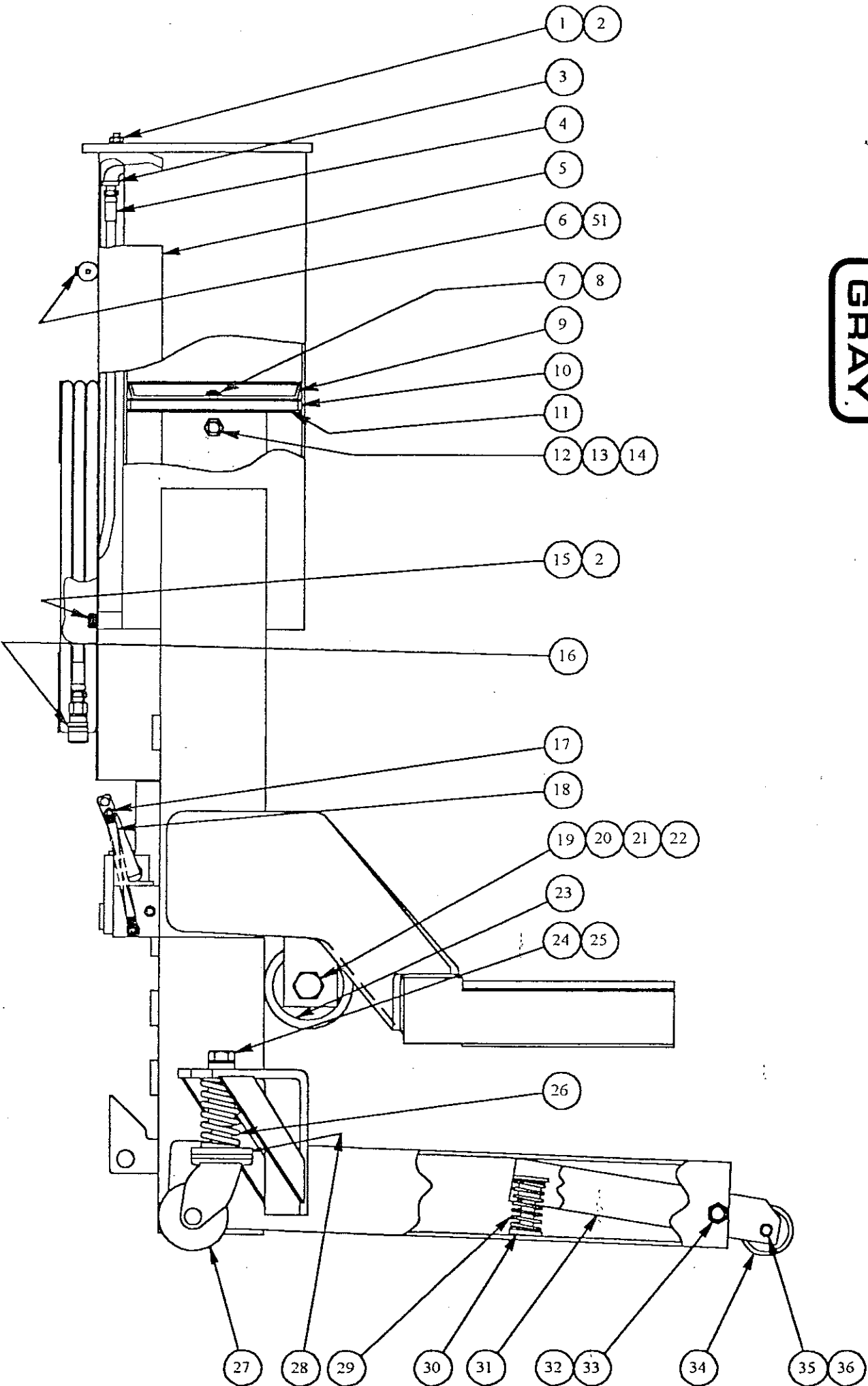


MODEL WL-20 WHEEL LIFT SYSTEM

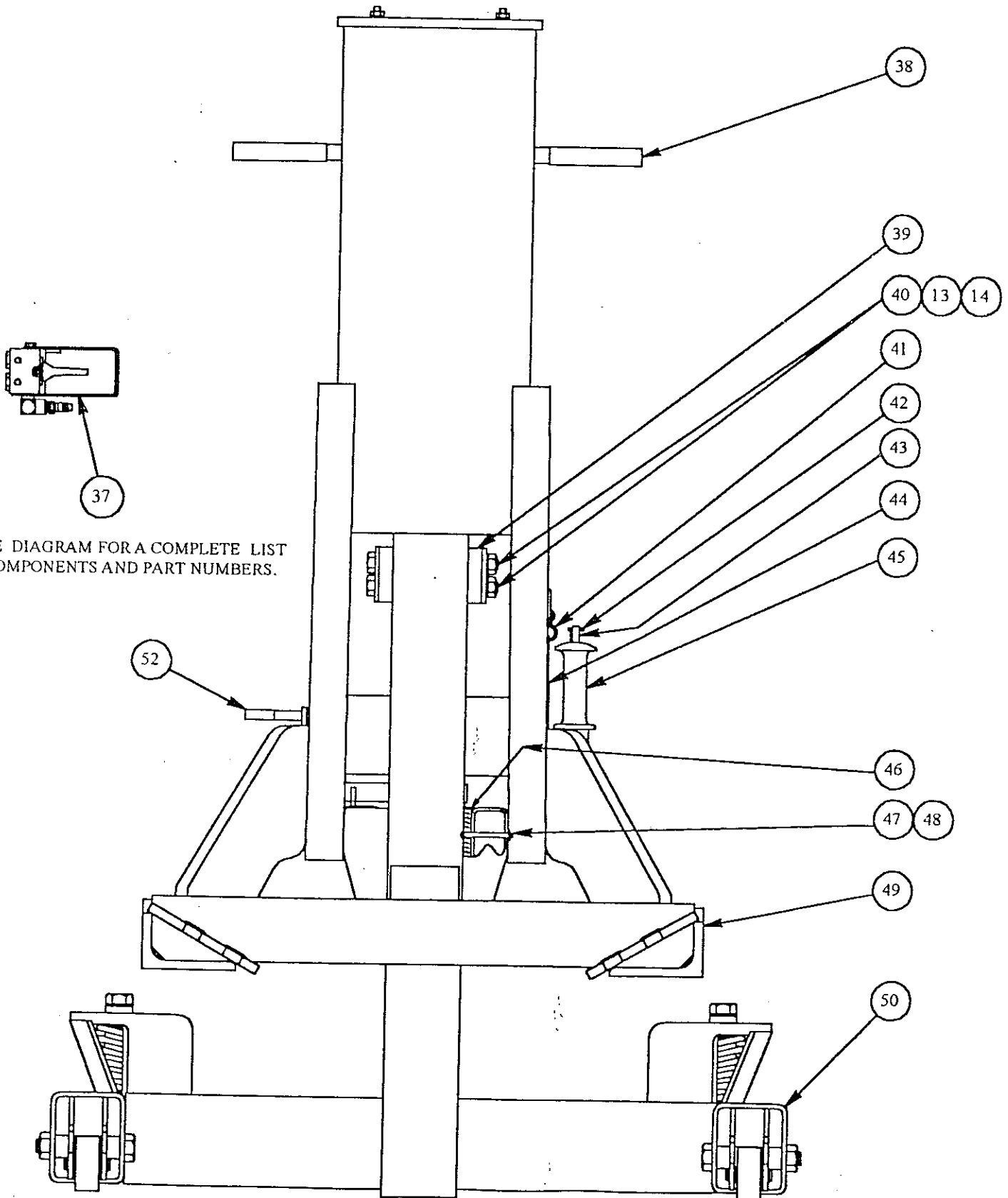
SERIAL # 70-001421 & DOWN





MODEL WL-20 WHEEL LIFT SYSTEM

SERIAL# 70-001421 & DOWN



SEE VALVE DIAGRAM FOR A COMPLETE LIST OF ALL COMPONENTS AND PART NUMBERS.

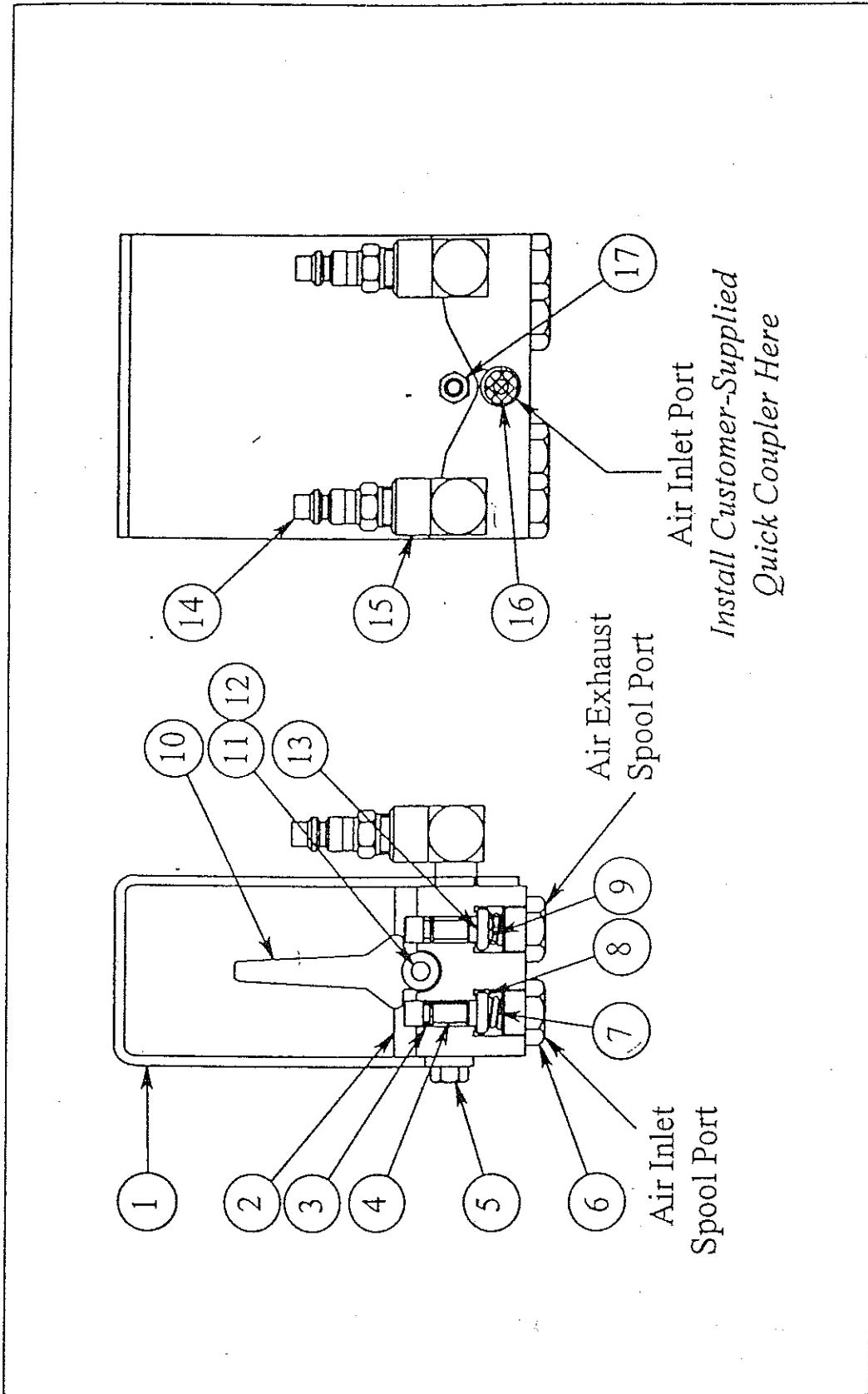


MODEL WL-20 WHEEL LIFT SYSTEM

SERIAL#: 70-001421 & DOWN

ITEM	QUANTITY	PART NUMBER	DESCRIPTION
1	2	0-203-01200	Hex Nut, 3/8-16 UNC, Steel
2	3	0-204-11201	Lock washer, 3/8"
3	1	0-275-11001	Elbow, Street, 1/4"
4	1	1-271-02002	Hose Assembly, 1/4" I.D., SAE 100RB
5	1	2-870-02015	Back Cover
6	2	0-200-31202	Cap screw, 3/8-16, 1-1/4" Long
7	1	1-230-11000	Retaining Ring, 1/2" Dia.
8	1	1-204-01401	Washer 1/2" Dia.
9	1	2-391-05005	Packing, 10" Dia.
10	1	1-390-15001	Wiper Ring
11	1	2-310-45030	Piston
12	1	0-200-31620	Cap Screw, 5/8-11UNC, Steel, Grade 5, 5" lg.
13	3	0-204-11600	Washer, 5/8" Dia.
14	3	0-203-01600	Hex Nut, 5/8-11UNC, Steel
15	1	0-200-31202	Capscrew, 3/8-16, 3/4" Long
16	1	1-272-12002	Quick Disconnect
17	2	0-202-51003	Palnut, 1/4, Washer Cap Type
18	1	1-233-02007	Extension Spring
19	1	2-202-01900	Hex Head Bolt, 1"-8 UNC, 5" Long
20	1	0-203-11900	Hex Jam Nut, 1"-8 UNC, Steel
21	1	1-441-03001	Cylindrical Bearing
22	2	1-441-24001	Flanged Plain Bearing
23	1	1-480-00007	Wheel & Grease Fitting Assembly
24	2	0-200-31708	Cap Screw, 3/4-10UNC Steel, Grade 5 1-1/2"
25	2	1-204-01711	Washer, 1-1/2" O.D. x 49/64 I.D.
26	2	1-233-15005	Compression Spring, 2-1/4" O.D.
27	2	1-480-11028	Caster, 4" Dia.
28	2	2-870-02009	Caster Extension
29	2	1-233-15003	Compression Spring, 1-3/4" O.D.
30	2	1-870-02003	Spring Guide Pin
31	2	2-870-02002	Caster Pivot Arm
32	2	1-202-01708	Cap Screw, 3/4-10UNC, Steel, Grade 5, 4-3/4"
33	2	1-203-01705	Hex Nut, 3/4-10 UNC, Self Locking
34	2	1-480-00003	Wheel, 3" Dia.
35	2	1-870-04046	Axle
36	4	1-230-12000	Retaining Ring, 5/8" Dia.
37	1	3-312-01012	Air Control Valve Module, Dual 3-Way
38	2	1-232-20001	Handle Grip 1" I.D.
39	2	1-801-02018	Stop Block
40	2	1-202-01600	Capscrew, 5/8-11, 6 5/8" Long
41	1	1-234-39011	S' Hook
42	1	0-203-51200	Nut, 3/8" Palnut
43	1	1-870-04064	Load Retention Pin
44	1	8-234-32036	Jack Chain
45	1	1-232-20116	Handle Grip 1" I.D.
46	2	2-441-59003	Phenolic Wear Pad
47	4	0-205-01006	Rivet, 1/4" Dia.
48	4	0-203-51002	Palnut, 1/4" Dia.
49	1	4-870-02011	Top Weldment
50	1	4-870-02010	Base Weldment
51	1	1-870-04078	Handle
52	1	1-232-20127	Grip, .437 I.D. 1-1/2" Long

Wheel lift air valve



WHEEL LIFT SYSTEM

AIR CONTROL MODULE PARTS LIST

ITEM	PART NUMBER	PART DESCRIPTION	QTY	
1	312-91011	Valve Bracket	1	
2	312-91013	Valve Body	1	N/A
*3	390-00005	O-Ring	2	
4	312-91002	Spool	4	
5	200-31113	Cap Screw, Hex Head, 5/16-18 UNC	1	
6	275-21004	Plug	4	
*7	233-12001	Spring	4	
*8	312-91003	Cup	4	
9	202-10601	Screw, Binder Head, #6-32 UNC, Brass	4	
10	232-20126	Lever Handle Drilled	2	
11	203-51003	Nut, 1/4 Palnut	2	
12	8-009-60038	Bar, Round, 1/4 Dia., 3-15/16" Long	1	
*13	390-10006	Seal, 15/32 OD., 3/16 ID., 1/8 Deep	4	
14	272-12003	Coupler Plug, Male, 1/4-18 NPT	2	
15	274-02003	Adapter, 90 Degree	2	
*16	312-91004	Screen	1	
17	203-01102	Nut, Hex, 5/16-18 UNC	1	

* In seal kit p/n 8870-01006