

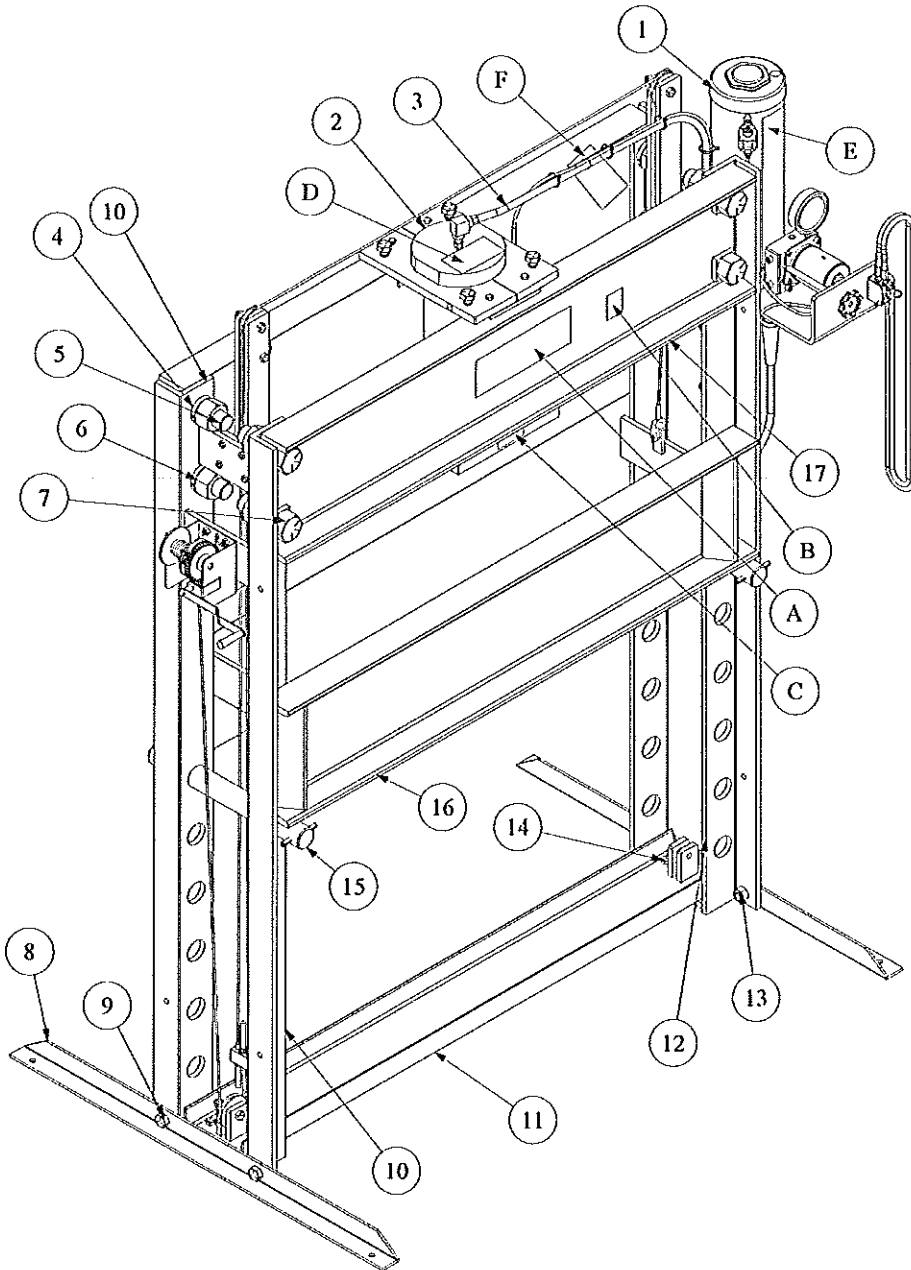


Professional Service Equipment

3501 S. Leonard Rd.
P.O. Box 728
St. Joseph, Missouri 64502 U.S.A.

Toll Free: (800) 821-7320
Phone: (816) 233-6121
Fax: (816) 233-7251
Email: gray@grayusa.com
www.grayusa.com

Parts & Placard List SP-75 Shop Press 75 Tons



Placard List

| ITEM | QTY | PART NUMBER | DESCRIPTION |
|------|-----|-------------|--|
| A | 2 | 670-00286 | Identification Placard, SP-75 |
| B | 2 | 670-10421 | Information Placard, Warning, Protective Equipment |
| C | 2 | 670-10402 | Warning Placard, SP-75 |
| D | 1 | 670-10404 | Information Placard, SP-75 |
| E | 1 | 670-10403 | Information Placard, Operating Instructions, SP-75 |
| F | 1 | 670-10422 | Information Placard, Warning, Hose Tag |

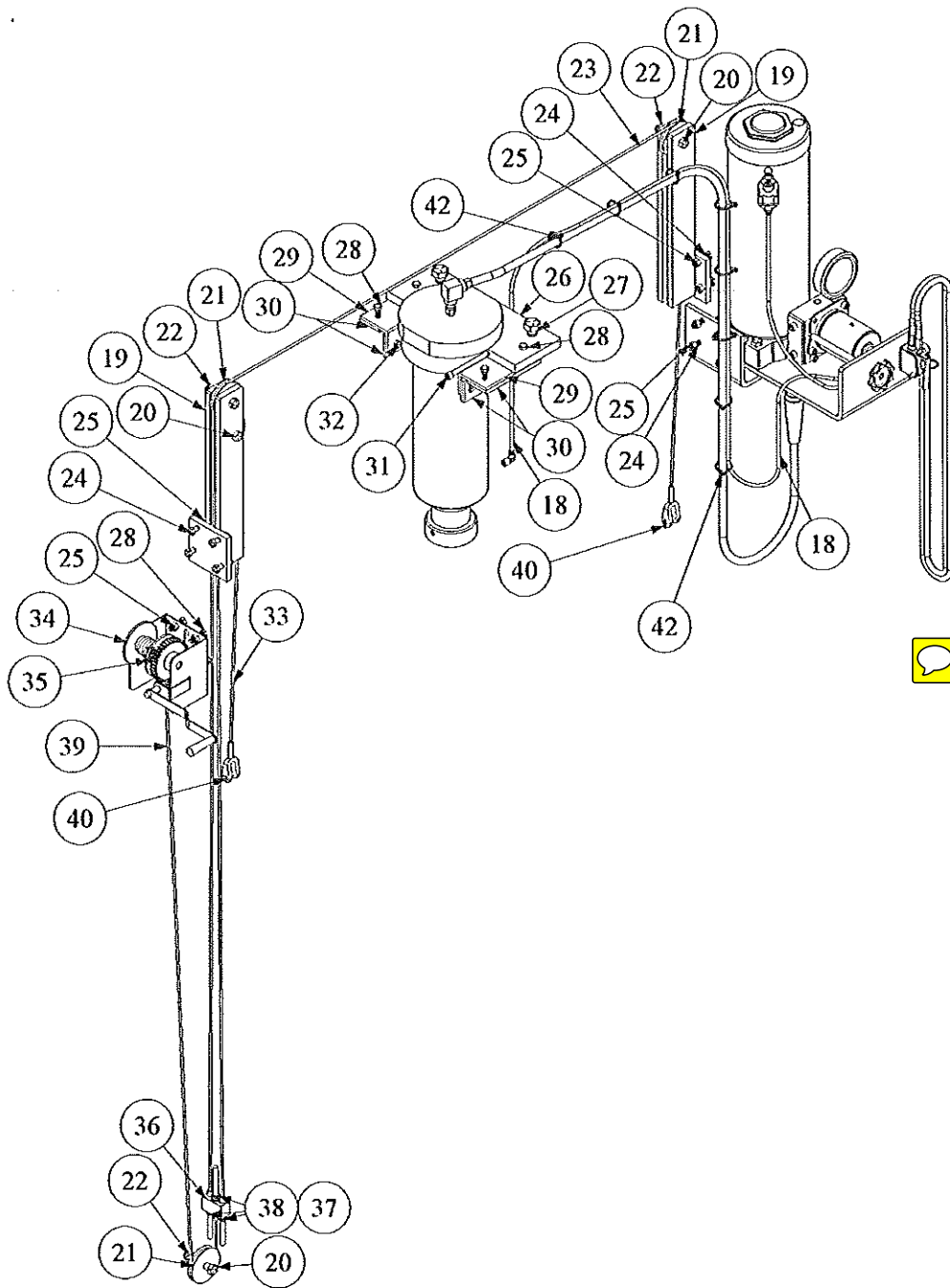
Final Assembly Parts List

| ITEM | QTY | PART NUMBER | DESCRIPTION |
|------|-----|-------------|--|
| 1* | 1 | 931-01005 | Complete Power Unit, SP-75 |
| 2** | 1 | 353-45021 | Cylinder, Hydraulic, 75T Press |
| 3 | 1 | 931-01007 | Quick Disconnect Hose Assembly, 8 ft, 10000 psi |
| 4 | 8 | 204-11902 | Washer, Lock, Spilt Type, 1 1/2" Med Steel, Unpl |
| 5 | 8 | 680-00304 | Expanded Round Vinyl Caps, 1 3/8" X 1" |
| 6 | 8 | 203-01707 | Nut, Hex, 1 1/2"-6, Regular, Plain Steel, Grade 5, Blk |
| 7 | 8 | 202-01714 | Capscrew, Hex Head, 1 1/2-6UNC, Steel, Grade 5, 4" Lg, Blk |
| 8 | 2 | 931-04011 | Angle, Footing |
| 9 | 4 | 200-31708 | Capscrew, Hex, 3/4-10UNC, Steel, Grade 5, Plated, 1 1/2" Lg |
| 10 | 1 | 931-02002 | Post Weldment |
| 11 | 1 | 931-02008 | Pulley Mount Weldment |
| 12 | 1 | 931-02011 | Post Weldment, S/N |
| 13 | 4 | 203-01701 | Nut, Hex, 3/4 - 10UNC, Regular, Steel, Plated |
| 14 | 4 | 200-31406 | Capscrew, Hex Head, 1/2-13UNC, Steel, Plated, Grade 5, 1" Long |
| 15 | 2 | 931-01006 | Pin Assembly |
| 16 | 1 | 931-02004 | Lower Bolster Weldment |
| 17 | 2 | 931-02003 | Upper Bolster Weldment |

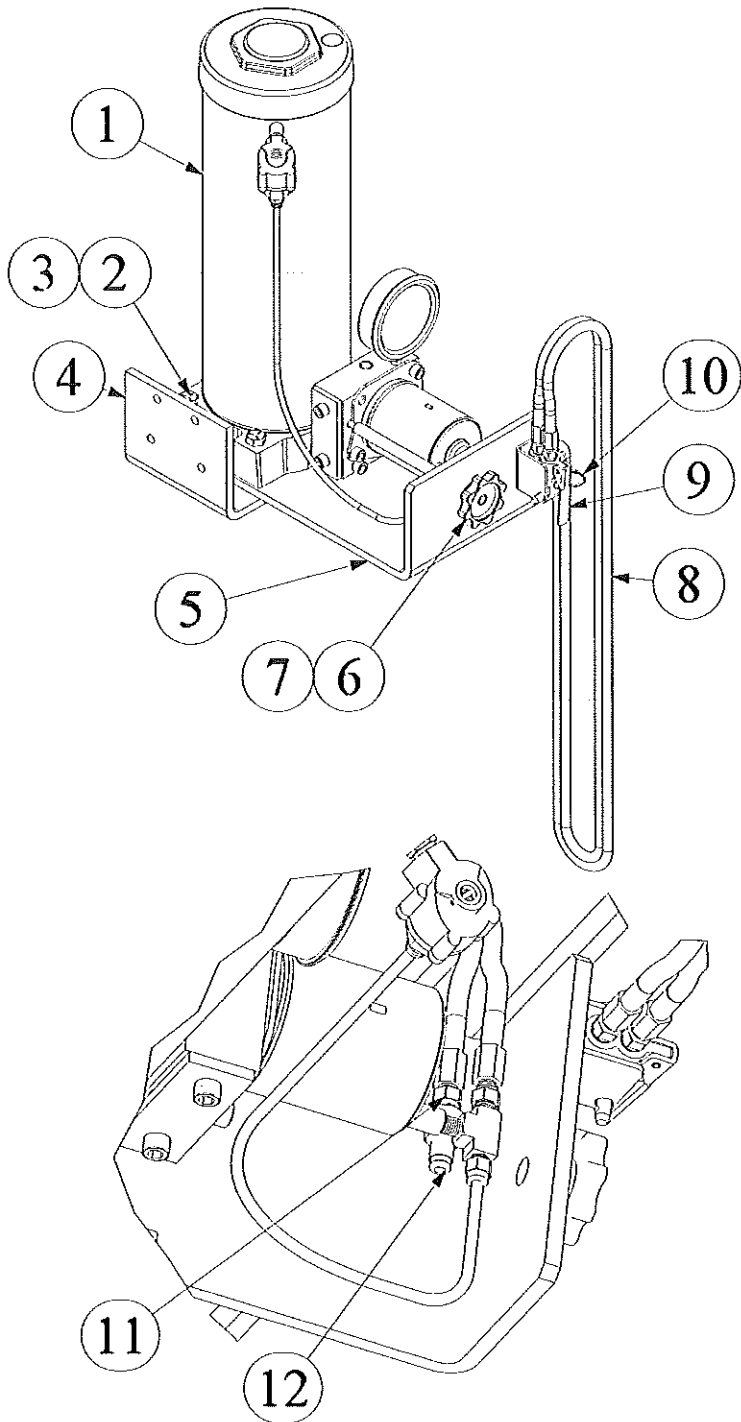
* See Details on Page 3.

** See Details on Page 6.





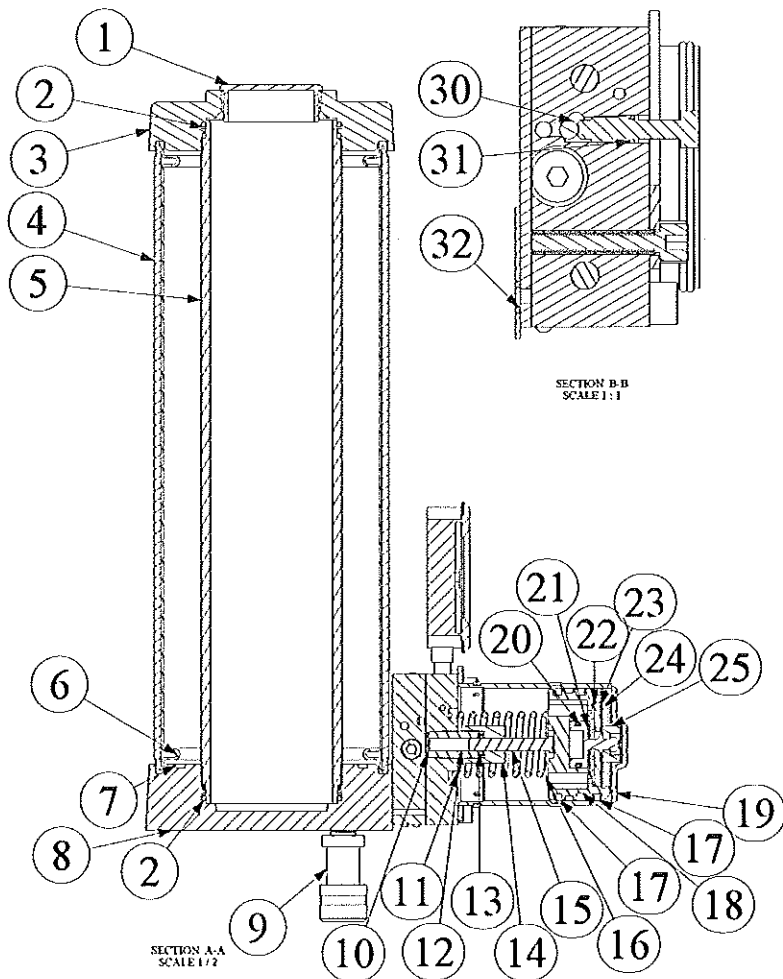
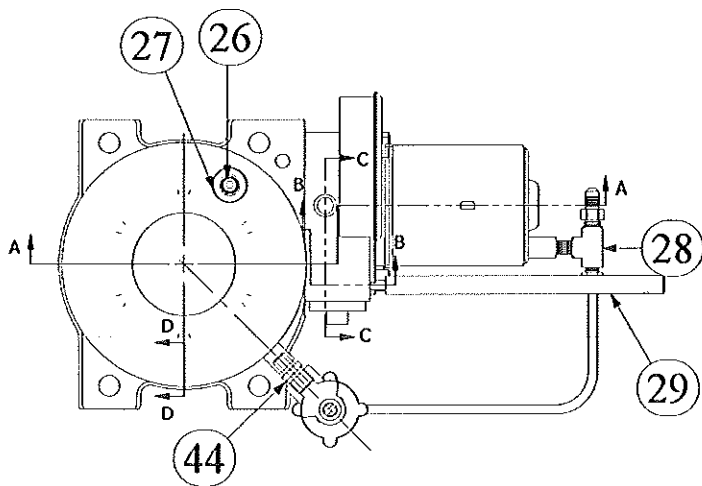
| ITEM | QTY | PART NUMBER | DESCRIPTION |
|------|-----|-------------|---|
| 18 | 1 | 082-30036 | Tubing, Nylon, 1/4 O.D. X .035 Wall, NB-4-035, 84" Long |
| 19 | 2 | 931-02006 | Pulley Bracket Weldment |
| 20 | 4 | 200-31413 | Capscrew, Hex, 1/2-13 UNC, Stl, Gr 5, PI, 2 3/4" Lg |
| 21 | 4 | 234-20003 | 1/4" Wire Rope Sheave 3" OD |
| 22 | 8 | 203-01403 | Nut, Hex, 1/2-13, Steel, Plated, Self Locking |
| 23 | 1 | 234-12005 | Wire Rope Assembly, 3/16 Dia, Stud/Fork Ends, 840 lbs, 160" |
| 24 | 12 | 200-31208 | Capscrew, Hex, 3/8 - 16UNC, Steel, Plated, Grade 5, 1 1/2" Lg |
| 25 | 16 | 203-01200 | Nut, Hex, 3/8-16, Steel, Regular, Plated |
| 26 | 2 | 931-04022 | Plate, Cylinder Mount |
| 27 | 4 | 200-31711 | Capscrew, Hex Hd, 3/4-10 UNC, Stl, Gr 5, PI, 2 1/4" Lg |
| 28 | 8 | 200-31207 | Capscrew, Hex, 3/8-16UNC, Steel, Grade 5, Plated, 1 1/4" Lg |
| 29 | 2 | 931-04023 | Angle, Slide Pad Mount |
| 30 | 4 | 441-59007 | Bearing, Plain, Linear Slide Pad w/Insert Nuts |
| 31 | 2 | 201-01220 | Capscrew, Socket Head, 3/8-16UNC, Grade 8, 5" Long |
| 32 | 4 | 200-31202 | Capscrew, Hex HD, 3/8-16 UNC, Stl, GR 5, PI, 1/2" Lg |
| 33 | 1 | 234-12006 | Wire Rope Assembly, 3/16 Dia, Stud/Fork Ends, 840 lbs, 105.5" |
| 34 | 1 | 234-90001 | Wire Rope Worm Gear Hand Winches, 1500 lbs |
| 35 | 1 | 234-90004 | Wire Rope Keeper Kit |
| 36 | 1 | 931-04024 | Bar, Wire Rope Coupler |
| 37 | 3 | 204-01206 | Washer, Special, .391 ID X .741 OD, Steel Plated |
| 38 | 3 | 203-01202 | Nut, Hex, 3/8 - 16UNC, Steel, Plated, Self Locking |
| 39 | 1 | 234-12004 | Wire Rope Assembly, 3/16 Dia, Stud/Open Ends, 840 lbs, 14' |
| 40 | 2 | 232-10015 | Clevis Pin with Hairpin, 5/16" X 1 1/4" Lg, Plated |
| 41 | 1 | 680-00303 | Dust Plugs (not shown) |
| 42 | 8 | 918-04116 | Nylon Cable Tie, 5 1/2X.130WD (not shown) |



931-01005 Parts List

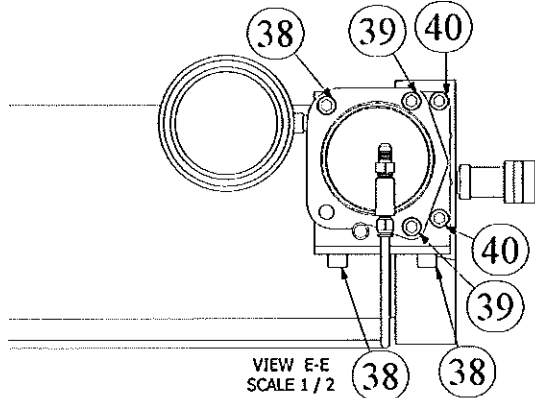
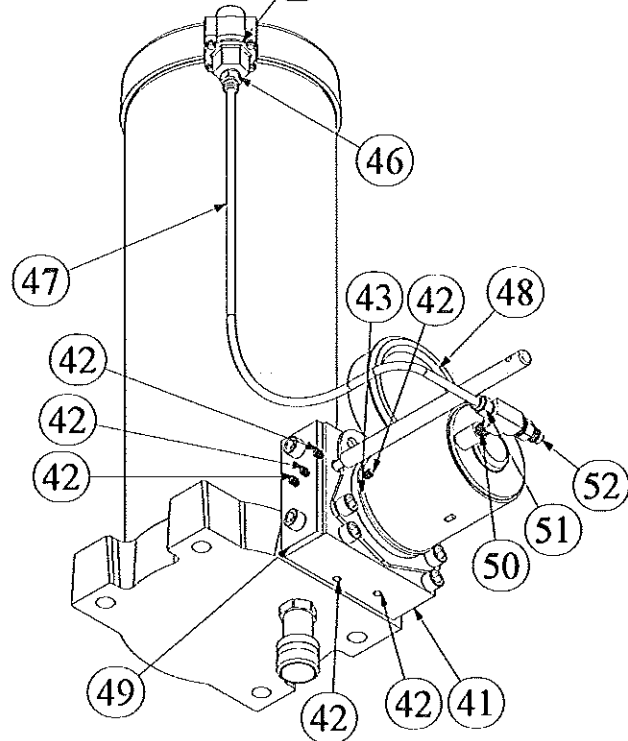
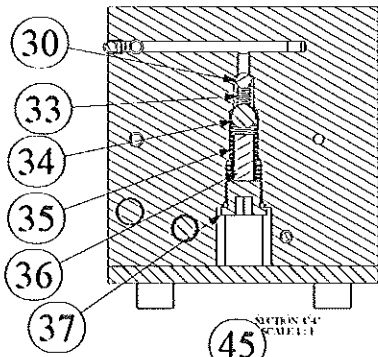
| ITEM | QTY | PART NUMBER | DESCRIPTION |
|------|-----|-------------|---|
| 1*** | 1 | 353-40091 | Power Unit, Hydraulic, Assy, 75T Press |
| 2 | 4 | 200-31414 | Capscrew, Hex, 1/2-13UNC, Steel, Grade 5, Plated, 3" Long |
| 3 | 4 | 203-01403 | Nut, Hex, 1/2-13, Steel, Plated, Self Locking |
| 4 | 1 | 931-04015 | Plate, Power Unit Mount |
| 5 | 1 | 931-02005 | Air Valve Mount Weldment |
| 6 | 1 | 232-20094 | Hand Wheel Drilled, 2 1/2" OD |
| 7 | 1 | 235-21011 | Roll, Pin, 3/16 Dia. X 1 1/8" Long |
| 8 | 1 | 271-81001 | Hose Assy, Synthetic Reinf, 3/16" Dual Line |
| 9 | 1 | 312-01017 | Valve, Air, 3-Way, Dual Function |
| 10 | 1 | 232-10008 | Quick Release Pin, 5/16" Dia. |
| 11 | 1 | 274-12012 | Adapter, Straight, 1/4 Ext. Pipe/ 7/16 Ext. JIC |
| 12 | 1 | 274-12008 | Adapter, Female Connector |

*** See Details on Page 4&5.



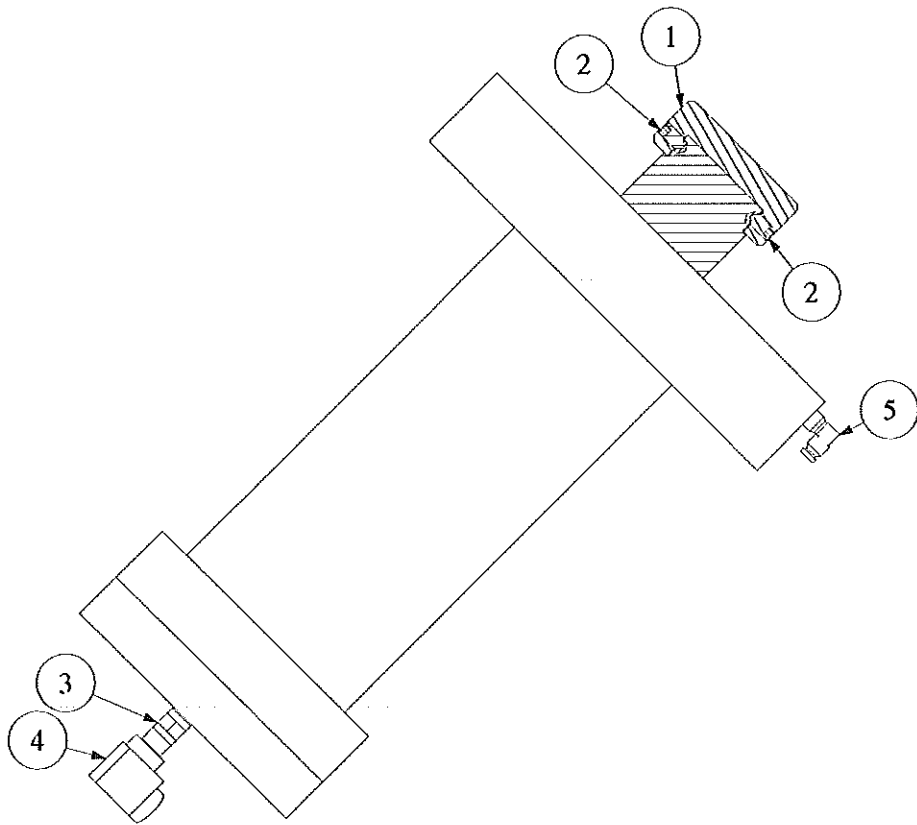
353-40091 Parts List

| ITEM | QTY | PART NUMBER | DESCRIPTION |
|------|-----|-------------|---|
| 1 | 1 | 680-00301 | Round Tubing Plug, 2 3/4" |
| 2 | 2 | 390-02020 | O'Ring, 3 3/4" O.D. X 3 1/2" I.D. X 1/8" CS, 70 Duro, Buna-N |
| 3 | 1 | 353-43054 | Cap, 75T Press |
| 4 | 1 | 931-02001 | Outer Barrel Weldment |
| 5 | 1 | 353-41079 | Reservoir Tube, SP-75 |
| 6 | 1 | 353-49328 | Bladder, 75T Press |
| 7 | 1 | 353-49010 | Magnet, 1/8 Dia., X 7/16 Long |
| 8 | 1 | 353-49327 | Base Casting, Machined, 75T Press |
| 9 | 1 | 274-02025 | Quick Disconnect Coupling, NPTF 3/8"-18, Male End |
| 10 | 1 | 390-10060 | Backup Ring, 11/16 X 1/2 X .040 Thick |
| 11 | 1 | 233-15003 | Spring, Compression, 1 3/4 O.D. |
| 12 | 1 | 353-43030 | Pump Housing |
| 13 | 1 | 390-10055 | Seal, 9/16 X 5/16 X 1/8 |
| 14 | 1 | 353-43029 | Pump Housing Cap |
| 15 | 1 | 353-49156 | Pump Plunger |
| 16 | 1 | 204-01106 | Washer, 1.750 X .320 X .064 |
| 17 | 2 | 390-02010 | Quad Ring, 3" O.D. X 2 5/8 I.D. X 3/16 |
| 18 | 1 | 310-41017 | Piston, Air Motor, Injection Molded |
| 19 | 1 | 310-11038 | Air Motor Cylinder Weldment |
| 20 | 1 | 390-10076 | Seal, 1 1/4 O.D. X 1" I.D. X 1/8 W |
| 21 | 1 | 310-40004 | Air Shuttle Piston, Injection Molded |
| 22 | 1 | 390-01061 | O'Ring, 2 1/4 X 1/16 X 2 1/8, Nitrile Rubber, Compound 4456, 70 Duro. |
| 23 | 1 | 310-91014 | Piston Cap, Injection Molded |
| 24 | 1 | 230-06001 | Retaining Ring, Internal, 2 1/8 Diameter |
| 25 | 1 | 315-00002 | Seal, Shuttle Valve |
| 26 | 1 | 274-32001 | Plug, SAE #4 W/ O'Ring |
| 27 | 1 | 680-00120 | Plug, Plastic (Captugs, EP-12) |
| 28 | 1 | 275-10003 | Female Pipe Tee, 1/8 NPT, Brass |
| 29 | 1 | 353-49331 | Release Stem, 75T Press |



VIEW E-E
SCALE 1/2

| ITEM | QTY | PART NUMBER | DESCRIPTION |
|------|-----|-------------|--|
| 30 | 2 | 236-00005 | Ball, 1/4 Dia., 440 C Stainless Steel, Gr 25, 58-62 RC |
| 31 | 1 | 390-00002 | O'ring, 3/8 O.D. X 1/4 I.D. X 1/16, ARP-010, 70 Duro, Buna-N |
| 32 | 2 | 390-10056 | Quad Ring, 7/16 X 1/4 X 3/32 |
| 33 | 1 | 233-10012 | Spring, Compression, 1/4 O.D. X 3/8 |
| 34 | 1 | 236-00006 | Ball, 3/8 Dia., 440 C Stainless Steel, Gr 25, 58-62 RC |
| 35 | 1 | 233-12002 | Compression Spring 0.406 |
| 36 | 1 | 353-49162 | Check Valve Spacer |
| 37 | 1 | 274-34001 | Plug, Straight Thread, Recessed Socket, With O'Ring |
| 38 | 3 | 201-11204 | Capscrew, Socket Head, 3/8-24UNF, 3/4" Long, Steel |
| 39 | 2 | 201-11212 | Capscrew, Socket Head, 3/8-24 UNF, 2 3/8" Long, Steel |
| 40 | 2 | 201-11211 | Capscrew, Socket Head, 3/8-24 UNF, 2 1/4" Long, Steel |
| 41 | 1 | 353-49337 | Hydraulic Block, 75T |
| 42 | 6 | 230-40001 | Plug |
| 43 | 2 | 390-01048 | O'Ring, 2 9/16 ID X 2 3/4 X 3/32, Buna-N, 70 Duro |
| 44 | 1 | 275-01043 | Nipple, Reducer, Hex, 1/4" NPT X 1/8" NPT, Brass |
| 45 | 1 | 312-01021 | Quick Exhaust Valve Assembly |
| 46 | 1 | 275-11004 | Connector-1/4 NPT TO 1/4 Tube, Brass |
| 47 | 1 | 082-30037 | Tubing, Nylon, 1/4 O.D. X .035 Wall, NB-4-035, 20" Long |
| 48 | 1 | 353-60001 | Gauge, Pressure, 1/4" NPT, 10,000 psi, 75T |
| 49 | 1 | 931-04032 | Plate, Hydraulic Block Cover |
| 50 | 1 | 275-00001 | Nipple, 1/8 NPT X 3/4 Lg Full Threaded |
| 51 | 1 | 275-10001 | Connector-1/8 NPT TO 1/4 Tube |
| 52 | 1 | 274-12014 | Adapter, Straight, 1/8 NPT Ext X 7/16 JIC Ext |
| 53 | 1 | 680-00302 | Pull-Ring Plugs, 1/2 NPT (Not Shown) |



353-45021 Parts List

| ITEM | QTY | PART NUMBER | DESCRIPTION |
|------|-----|-------------|--|
| 1 | 1 | 931-04021 | Rod Pad |
| 2 | 2 | 201-31213 | Set Screw, 3/8-16 UNC X 3/4" Lg, Blk Oxide, Hex Skt, Cone Pt |
| 3 | 1 | 275-02004 | Nipple, Hex, 3/8" NPT, Steel, 10,000 psi |
| 4 | 1 | 275-12001 | Elbow, 3/8" NPT X 90 Deg, 10,000 psi |
| 5 | 1 | 275-11007 | Elbow 1/4 NPT F To 1/4 Tube, Brass |