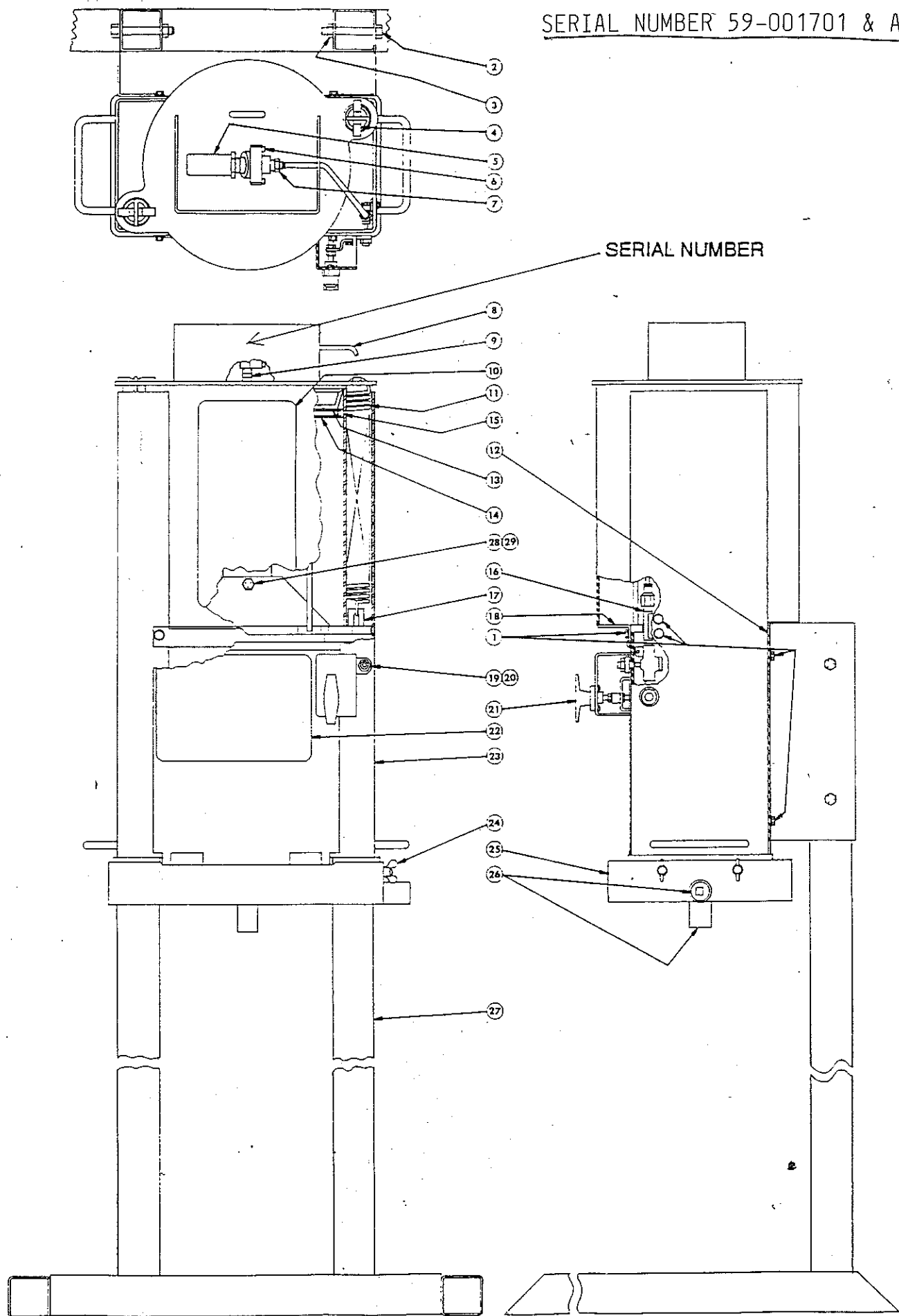


QUICKPAC MODEL QP-100 AIR POWERED CONTAINER CRUSHER

SERIAL NUMBER 59-001701 & ABOVE





Professional
Service
Equipment


QP-100

Parts List

Serial # 59-001701 & Above

Prices Good Thru 12-29-00

All Prices Subject to Tax & Freight

ITEM	PART NUMBER	PART DESCRIPTION	QTY
1	202-01103	Screw, 5/16-18, 5/8" Long	8
2	200-31416	Capscrew, 1/2-13, 3 1/2" LG	4
3	203-01403	Nut, 1/2-13, Self Locking	4
4	859-02014	Spring Retainer	2
5	315-00005	Muffler	1
6	312-01010	Exhaust Valve	1
7	274-14002	Male Adapter	1
8	8082-30023	Tubing, 19 3/4" Long	1
9	275-02001	Nipple	1
10	670-00149	Identifi. Placard QP-100	1
11	233-07003	Spring	2
12	859-04038	Back Cover	1
13	391-05007	Packing 12" Diameter	1
14	859-02011	Piston Weldment	1
15	390-16001	Wiper Ring Half, 12" Dia	2
16	859-01001	Valve Assembly	1
17	859-02012	Top Platen	1
18	859-02006	Cylinder Cover 	1
19	201-31207	Set Screw, Special	1
20	203-11204	Hex Jam Nut, 7/16-14	1
* 21	232-20119	Vise Action T-Handle	1
22	670-10175	Instruction Placard QP-100	1
23	859-02001	Filter Crushing Weldment	1
24	202-01215	Wing Screw	4
25	859-02008	Tray	1
26	275-24001	Plug, 3/4-14 NPT	2
27	859-02013	Base	1
28	200-31721	Capscrew, 3/4-10, 5 1/2" Lg	1
29	203-01705	Nut, 3/4-10, Self Locking	1

3501 S. Leonard Rd.

P.O. Box 728

St. Joseph, MO U.S.A. 64502

1-800-821-7320

(816) 233-6121

FAX (816) 233-7251

or (816) 387-8157

www.grayusa.com

Serial # 59-003834
+ below

if serial # 59-003835 + UP use part
232-20143 vice action t-handle
8859-01002 Spring Kit

OIL FILTER CRUSHERS TROUBLE SHOOTING QP-50, QP-100, QP-160

PROBLEM: WILL NOT CRUSH FILTERS

Possible Solutions:

- Not enough PSI. PSI must be around 120 for crusher to work effectively.
- Check cylinder, airline, and air valve for leaks. Repair any leaks.
- Exhaust valve on top of unit is dirty or bad. Take apart and clean valve diaphragm or replace if needed.
- Set screw on door is not actuating control valve. Adjust set screw.
- Crushing filters with steel pipe on the inside. This unit will not crush this type of filter.

PROBLEM: RAM WILL NOT RETRACT/DOOR WILL NOT OPEN

Possible Solutions:

- Exhaust valve on top of unit is dirty or bad. Clean or replace if needed.
- Oil filters are jammed inside the unit. On the QP-50 you must remove the cylinder from the top of the machine. To do this, remove the 4 bolts and nuts on top of the unit. Access can then be made to the inside of the chamber. On the QP-100 & QP-160 access can be made by removing the top from the stand and then removing the back cover.

PROBLEM: OIL SQUIRTS OUT DOOR HENGES

Possible Solutions:

- Filter may have tipped over inside crusher or may be lying sideways.
- Filters are being crushed too quickly causing oil not to drain and clog up.

PROBLEM: AIR IS LEAKING

Possible Solutions:

- Set screws on door is not actuating control valve. Adjust set screw.
- Exhaust valve on top of unit is loose or dirty. Tighten 4 bolts on exhaust valve or replace exhaust valve.