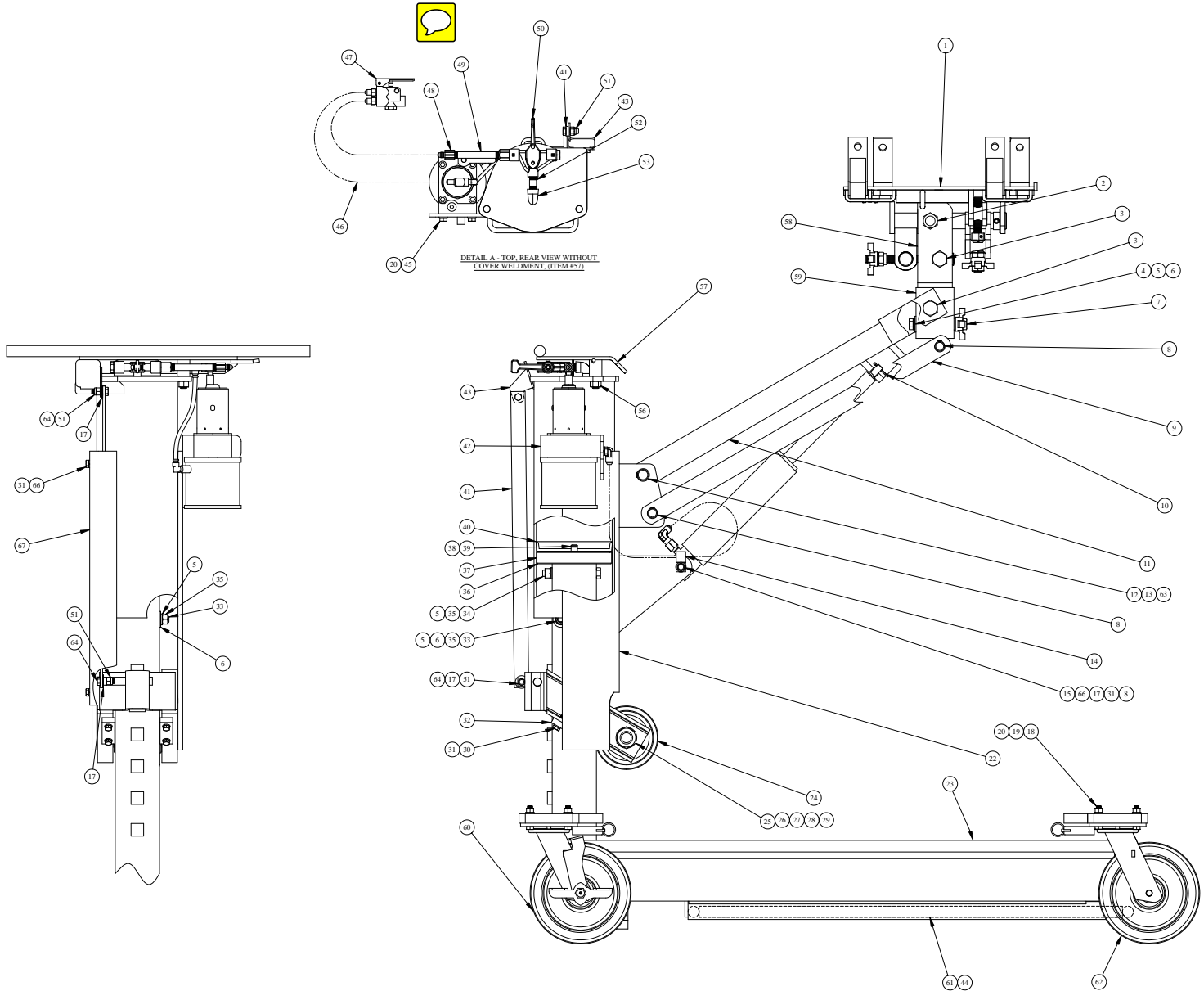




3501 S. Leonard Rd.
P.O. Box 728
St. Joseph, Missouri 64502
U.S.A.
Toll Free: (800) 821-7320
Phone: (816) 233-6121
Fax: (816) 233-7251
Email: gray@grayusa.com
www.grayusa.com

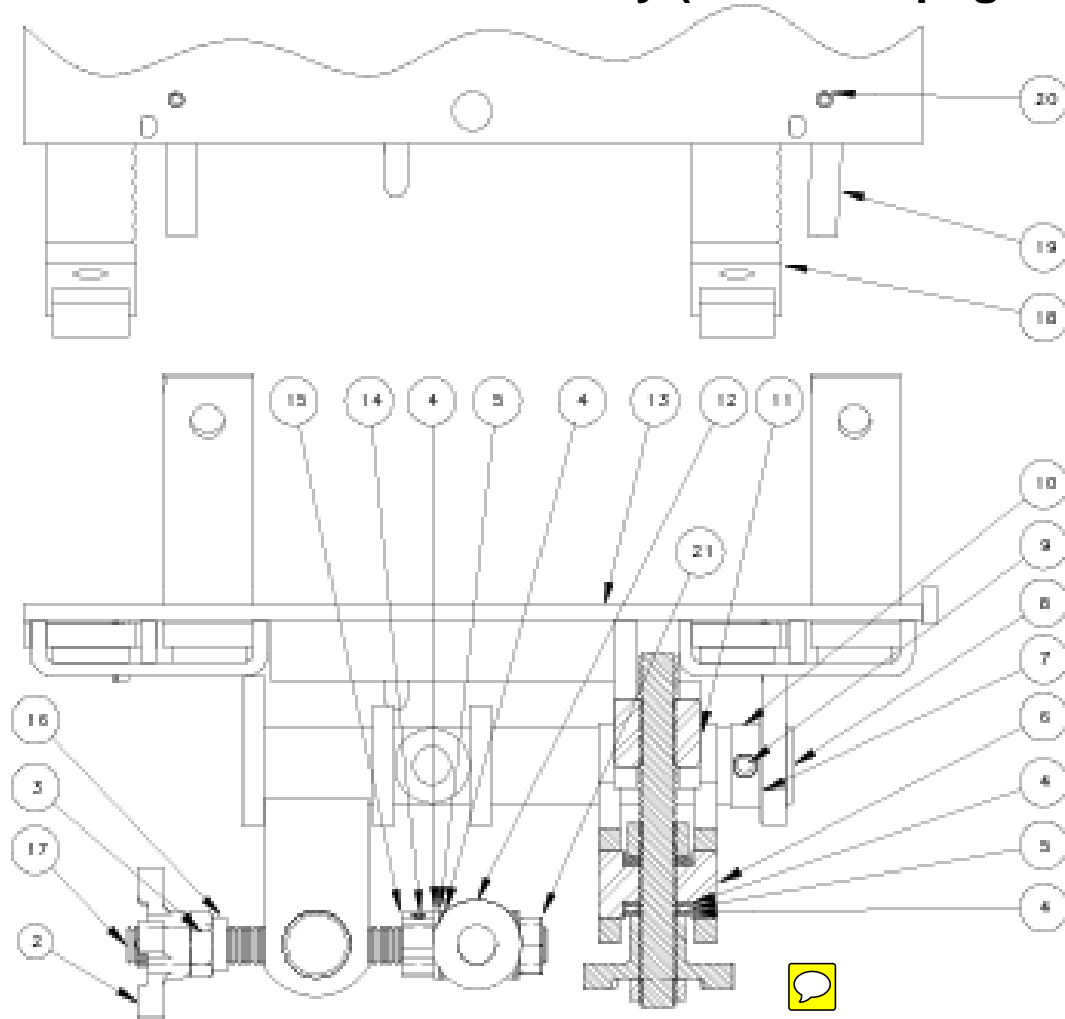
Parts List

HTCJ-2000 Hi-Rise Transmission Component Jack Serial Number 902-001415 and above



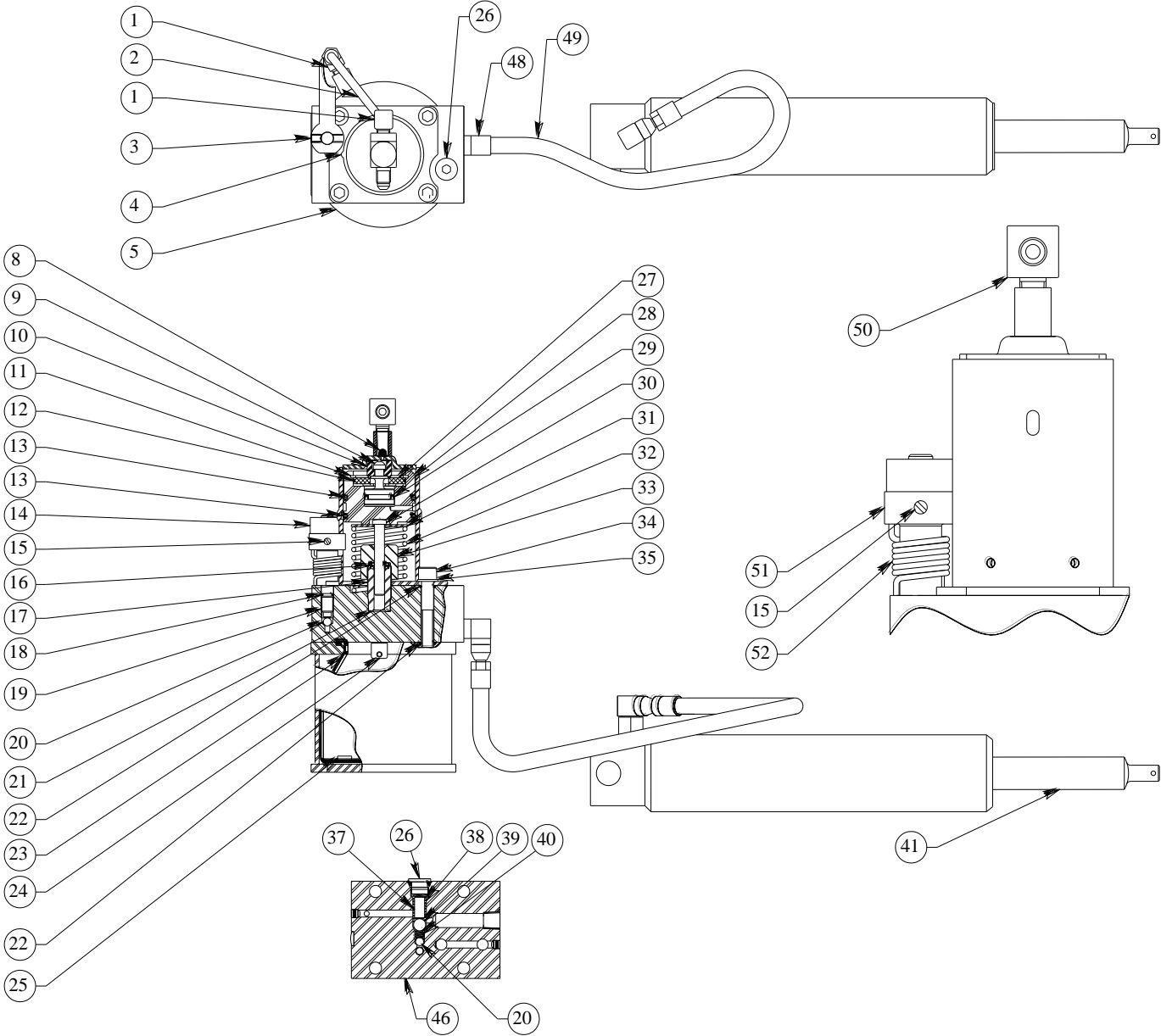
ITEM	QTY	PART NUMBER	DESCRIPTION
1	1	902-01001	Head Ass'y, HTCJ-2000
2	2	202-01712	Capscrew, Hex Head, 3/4-10 UNC, Steel, Gr 5, Plated, Special, 2.000 Long
3	4	202-01711	Capscrew, Hex Head, 3/4-10 UNC, Steel, Gr 5, Plated, Special, 1.500 Long
4	1	200-31406	Capscrew, Hex Head, 1/2-13UNC, Steel, Grade 5, Plated, 1" Long
5	3	204-11400	Washer, Lock, 1/2 Med. Steel, Plated
6	2	204-01403	Washer, Flat, 1/2", Type B, Regular, Steel, Plated
7	1	902-01002	Knob Assembly
8	6	230-12001	Retaining Ring, External, 3/4 Diameter
9	2	828-04018	Leveling Link
10	0	235-00014	Cotter Pin, 1/8 Dia. X 1" Long, Prong-Square Cut End
11	1	902-02008	Lift Arm Weldment
12	1	902-04030	Pin, Pivot, Lift Arm
13	2	230-13002	Retaining Ring, External, 7/8" Dia.
14	1	884-04044	Support Clamp, Hose
15	1	902-04032	Pin, Pivot, Cylinder
16	1	237-00003	Tie Down Strap
17	3	204-01101	Washer, Flat, 5/16, Med, Steel, Plated
18	16	200-31209	Capscrew, Hex Head, 3/8-16 UNC, Steel, Gr. 5, Plated, 1 3/4" Long
19	16	203-01200	Nut, Hex, 3/8-16 UNC, Regular, Steel, Plated
20	18	204-11202	Washer, Lock, S/T, 3/8, Med, Steel, Plated
22	1	902-02001	Upper Weldment
23	1	902-02002	Base Weldment
24	1	480-00007	Wheel & Grease Fitting Subassembly
25	1	204-11901	Washer, Lock, Split Type, 1", Med, Steel, Unplated
26	1	441-03001	Bearing, Plain, Cylindrical, 1.500 O.D. X 1.030 I.D.
27	2	441-24001	Bearing, Plain, Flanged, 1-1/2 Nom. ID X 1.625 OD X 1-1/2 Long
28	1	200-31921	Capscrew, Hex Head, 1-8 UNC, Steel, Gr. 5, Plated, 5 1/2" Long
29	1	203-11900	Nut, Hex, Jam, 1-8 UNC, Steel, Plated
30	4	200-81106	Capscrew, Hex Head, 5/16-24 UNF, Steel, Plated, Gr. 5, 1" Long
31	7	204-11103	Washer, Lock, Split Type, 5/16, Med., Steel, Unplated
32	2	902-04034	Wear Pad
33	1	201-01427	Capscrew, Socket Head, 1/2-13 UNC, Steel, Gr. 8, 4 1/4" Long
34	1	202-01417	Capscrew, Hex Head, 1/2-13 UNC, Gr. 5, Steel Plated, 4 1/4 Long
35	2	203-01400	Nut, Hex, 1/2-13UNC, Reg., Steel, Plated
36	1	902-02004	Piston Weldment, 6"
37	1	390-13007	Wiper Ring, 6"
38	1	230-11000	Retaining Ring, External, 1/2 Dia
39	1	204-01401	Washer, Flat, Machinery Bushing, 1/2" X 18 Ga.
40	1	391-03000	Packing, Molded, 6" Bore
41	1	902-04036	Safety Catch Bar
42	1	353-40065	Power Unit, HTCJ-2000
43	1	800-04001	Safety Catch Hinge
44	4	232-20001	Handle Grip, 7/8 I.D. X 5" Long
45	2	200-31204	Capscrew, Hex Head, 3/8-16 UNC, Gr 5, Steel, Plated, 3/4 Long
46	1	271-61001	Hose Ass'y, Synthetically Reinforced, 3/16", Dual Line
47	1	312-01017	Valve, Air, 3-Way, Dual Function
48	1	274-12019	Adapter, Straight, 1/4 NPT Internal X 7/16 JIC External
49	1	275-01039	Nipple, 1/4" Pipe, Schedule 40, 4.000 Long, ASTM 865 (Zinc Coated)
50	1	312-01016	Valve, Air, 3-Way, Winged Handle, Special Spool
51	2	203-01204	Nut, Hex, 3/8-16 UNC, Steel, Plated, Self-Lock w/Nylon Insert
52	1	275-01000	Nipple, 1/4 NPT, Close, Schedule 40, ASTM A120
53	1	275-11001	Elbow, 1/4 NPT, 90°, 150# Maleable
56	2	203-01403	Nut, Hex, 1/2-13 UNC, Stl, Pltd, Grade 5, Self-Locking
57	1	902-02005	Cover Weldment
58	1	902-02007	Yoke Weldment
59	1	902-02006	Receiver Weldment
60	2	480-10003	Caster, Swivel, 4 Position Lock, Brake, 8" Wheel, Phenolic
61	1	902-02003	Tow Handle Weldment
62	2	480-10004	Caster, Swivel, 4 Position Lock, 8" Wheel, Phenolic
63	1	400-50000	Grease Fitting, 3/16 Drive
64	2	200-31206	Capscrew, Hex Head, 3/8-16 UNC, Steel, Gr. 5, Plated, 1" Long
66	3	200-31104	Capscrew, Hex Head, 5/16-18 UNC, Steel, Gr. 5, Plated, 3/4" Long
67	1	902-04037	Downstop Rod Cover
A	1	670-10305	Information Placard, Air Valve, HTCJ-2000
B	1	670-10307	Information Placard, 110 PSI Warning
C	1	670-10303	Information Placard, Warning, HTCJ-2000
D	1	670-00215	Identification Placard, HTCJ-2000
E	1	670-10306	Information Placard, Release Valve, HTCJ-2000
F	1	670-10304	Information Placard, Operating Instructions, HTCJ-2000
G	1	670-10176	Information Placard, Multi-Language No

Parts List for Head Assembly (Item 1 on page 2)



Item	Qty	Name	Description
1	1	841-02009	Tilt Shaft Weldment, Side Tilt
2	1	232-20112	Knob, Threaded, 5/8-8 ACME-ZG
3	1	203-01604	Nut, Hex, 5/8-8 UNC 2-G, Jam, Steel, Unplated
4	8	440-31002	Bearing, Race, Thrust, Roller, 5/8 I.D. X 1 1/8 O.D.
5	4	440-31001	Bearing, Thrust, Roller, 5/8 I.D. X 1 1/8 O.D.
6	1	841-04006	Trunnion, Side Tilt
7	1	204-02201	Washer, 1 7/8 O.D. X 1 3/8 I.D., 1/16 Thick, Steel, Plated
8	1	841-02003	Tilt Shaft Weldment
9	1	235-22004	Roll Pin, 3/8 DIA., 2" Long
10	1	841-04001	Spacer, 1 3/8 O.D. X 1 1/4 I.D.
11	2	826-04078	Nut
12	1	841-04005	Trunnion, Fore/Aft Tilt
13	1	841-02016	Adapter Weldment
14	2	201-31003	Set Screw, 1/4-28 UNF, 1/4 Long, Hex Skt Hd, Stl, Cup Point
15	2	203-61604	Nut, Special, 5/8-8 ACME, Tapped
16	1	826-04095	Spacer, Short
17	1	235-21004	Roll Pin, 3/16 Dia. X 3/4" Long
18	4	828-02010	Transmission Bracket Weldment
19	4	849-01001	Ratchet Pawl Subassembly
20	4	235-21003	Roll Pin, 1/4 DIA., 1 1/4 Long
21	1	841-02002	Shaft, Fore/Aft Tilt, Weldment

Parts List for Power Unit (Item 42 on page 2)



Continued from Parts List for Power Unit

Point

Item	Qty	Name	Description
1	2	1-275-11005	Male Elbow, 90 Degree, 1/8 - 27 NPT
2	1	8-082-30028	Tubing, Nylon, 1/4 O.D. X .035 Wall, NB-4-035, 8" Long
3	1	0-201-31003	Set Screw, Hex Socket Head, 1/4-28 UNF, Steel, 5/16 Long, Cup
4	1	2-353-49245	Air Motor Cylinder Weldment
5	1	2-353-49246	Reservoir Weldment
8	1	1-312-91018	Screen
9	1	1-310-91012	Air Shuttle Piston
10	1	2-315-00008	Shuttle Seal
11	1	1-230-05002	Retaining Ring, Internal, 1 11/16 Dia.
12	1	1-390-02014	O'Ring, 1 1/2 X 1 5/8 X 1/16
13	2	1-390-02013	O'Ring, 2 X 2 1/4 X 1/8
14	1	2-232-20146	Release Lever
15	1	1-894-04004	Retaining Pin
16	1	1-390-10055	Seal, 9/16 X 5/16 X 1/8
17	1	1-353-43030	Pump Housing
18	1	0-390-00002	O'Ring, 3/8 O.D. X 1/4 I.D. X 1/16 Dia., ARP-010, 70 Duro., Buna -N
19	1	2-353-49259	Release Stem
20	2	0-236-00005	Ball, 1/4 Dia., 44OC, STLS. STL., Grade 25, 58-62 Rc
21	1	1-390-10060	Backup Ring, 11/16 X 1/2 X .040 Thick
22	8	1-390-00080	O'Ring, 9.5 MM I.D. X 1.5 MM C.S.
23	1	2-353-49207	Bladder, MM-2000 A/H
24	1	1-353-49232	Oil Flow Port
25	1	1-353-49010	Magnet, 1/8 Dia. X 7/16 Long
26	2	1-274-34001	Plug, Str., Th'd., Recessed Skt., with O'Ring
27	1	1-310-91011	Piston Cap
28	1	3-310-40003	Piston, Air Motor, 2 1/4" Bore
29	1	1-390-10078	Seal, 15/16 O.D. X 11/16 I.D. X 1/8 W
30	1	1-353-49156	Pump Plunger
31	1	1-204-01106	Washer, 1.750 X .320 X .064
32	1	1-233-15007	Spring, Compression, 1 11/16 O.D. X 4" Long
33	1	1-353-43029	Pump Housing Cap
34	4	0-201-01211	Capscrew, Socket, Head, 3/8 - 16 UNC, Steel, 2 1/4" Long
35	4	1-204-01211	Washer, Special, .627 O.D. X .378 I.D. X .061 Thick
37	1	1-353-49162	Check Valve Spacer
38	1	1-233-12002	Spring, Compression, .406 O.D.
39	1	0-236-00006	Ball, 3/8 Dia., 44OC, STLS. STL., Grade 25, 58-62 Rc
40	1	1-233-10012	Spring, Compression, 1/4 O.D. X 3/8
41	1	2-353-45013	Cylinder, Hydraulic
46	1	4-353-49213	Hydraulic Block, MM-2000 A/H
48	1	1-274-02015	Adapter, 90°, 1/4 Ext. Pipe/ 9/16 Ext. JIC, .030 Restriction
49	1	1-271-42009	Hose, Hydraulic
50	1	1-274-02013	Adapter, Tee, 1/8-27 NPT, External, 1/8-27NPT Int., 7/16 JIC Ext.
51	1	1-353-49211	Hold to Run Control
52	1	1-233-30009	Spring, Modified Torsion, TSL