



**Professional
Service
Equipment**

3501 S. Leonard Rd.

P.O. Box 728

St. Joseph, MO U.S.A. 64502

1-800-821-7320

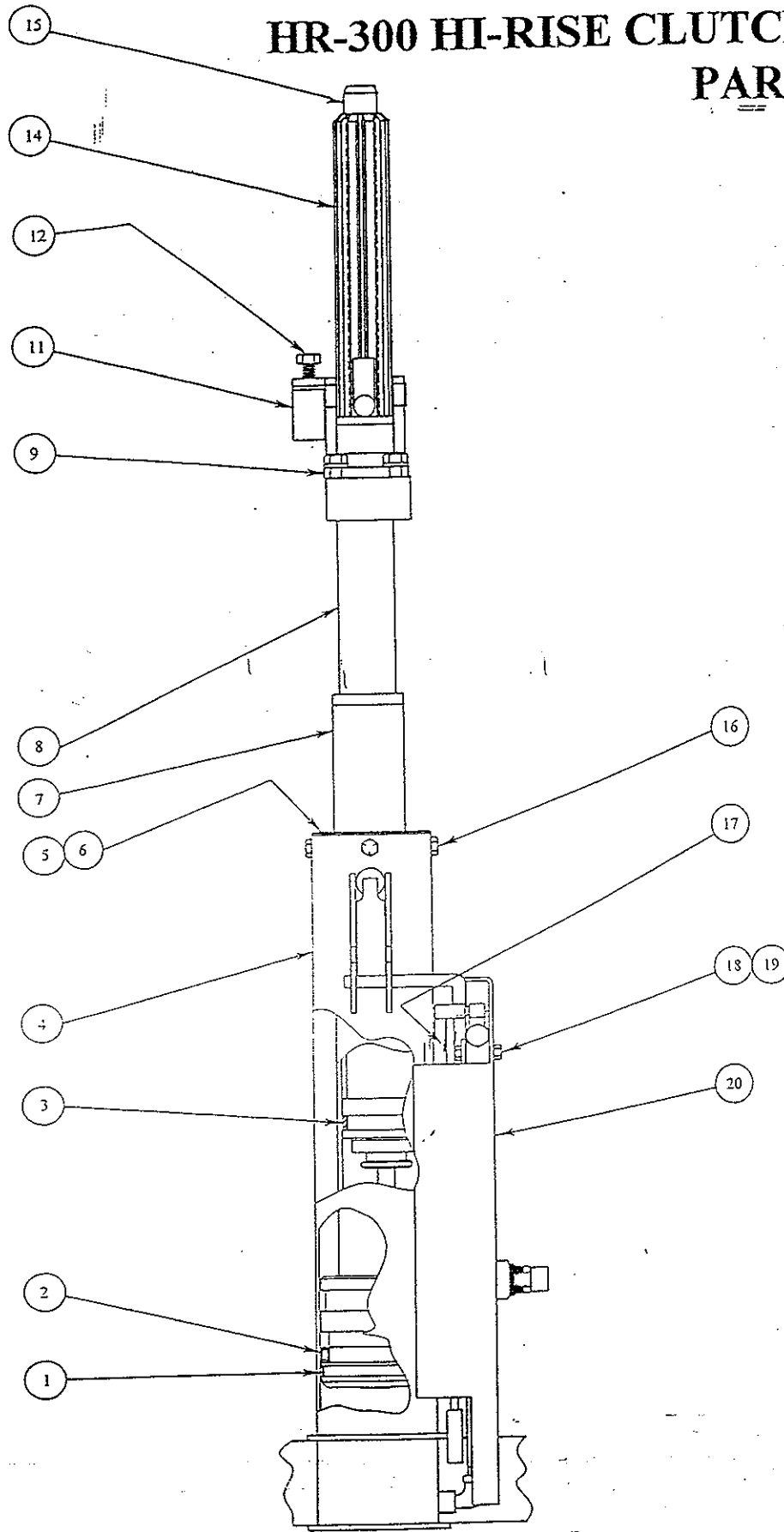
(816) 233-6121

FAX (816) 233-7251

or (816) 387-8157

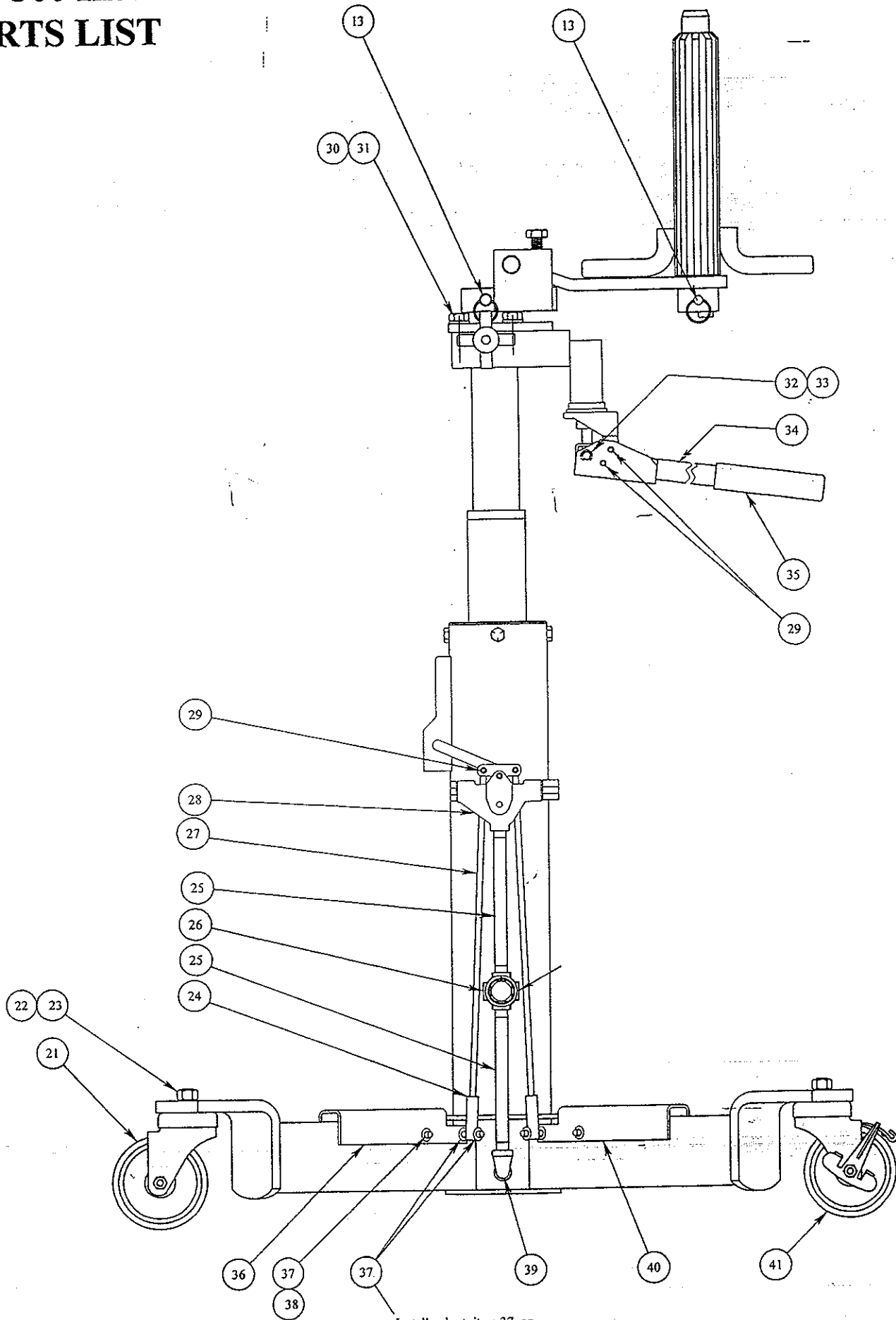
www.grayusa.com

HR-300 HI-RISE CLUTCH JACK PARTS LIST



HR-300 HI-RISE CLUTCH JACK

PARTS LIST



Install palnut, item 37, on each side of items 24.



**Professional
Service
Equipment**

3501 S. Leonard Rd.

P.O. Box 728

St. Joseph, MO U.S.A. 64502

1-800-821-7320

(816) 233-6121

FAX (816) 233-7251

or (816) 387-8157

www.grayusa.com

HR-300 HI-RISE CLUTCH JACK			
PARTS LIST			
ITEM	QTY	PART NUMBER	DESCRIPTION
1	1	390-11015	Wiper Ring, 4" Bore
2	1	390-11067	Seal, 4" Dia
3	1	390-11007	Wiper Ring, 2"
4	1	908-02003	Base Frame Weldment
5	1	391-10002	Felt Ring, 2-3/4" OD
6	1	310-31004	Gland, 4" Bore
7	1	310-20027	Piston Rod
8	1	353-40068	Hydraulic Unit
9	1	908-02002	Clutch Adapter Weldment
11	1	908-02001	Spline Adapter Weldment
12	1	200-31408	Capscrew, Hex Hd., 1/2x1-1/2" Lg
13	1	232-10014	Quick Release Pin
14	1	876-02016	2" Dia. Spline Weldment
15	1	876-04060	Spline Center Pin
16	4	202-01210	Cap Screw, 3/4 Long
17	1	233-01002	Spring
18	1	200-31009	Cap Screw, 1/4 x 1-3/4
19	1	203-01005	Nut, 1/4-20, Self Locking
20	1	908-04001	Valve Cover
21	2	480-11012	Caster 4"
22	4	204-11400	Washer, Lock 1/2"
23	4	203-11401	Nut, Hex, Jam, 1/2-13 UNC
24	2	232-10002	Rod End
25	2	275-01040	Nipple, Special, 1/4 x 7" Lg
26	1	315-00010	Air Regulator, Pre-Set
27	2	232-40001	Control Rod
28	1	312-01005	Air Valve
29	4	235-21002	Roll Pin, 1/4 x 1-1/2
30	4	204-11201	Washer, Lock, 3/8"
31	4	202-01217	Cap screw, Hex Hd., 3/8x1" Lg
32	1	470-20002	Shaft, Pump
33	2	230-11003	Retaining Ring, 3/8"
34	1	232-20040	Pump Handle Rod
35	1	232-20001	Handle Grip 7/8 ID
36	1	232-20048	Pedal, Down
37	6	203-51002	Palnut, 1/4"
38	2	205-01005	Rivet 1/4 x 1-3/4
39	1	275-11001	Street Elbow, 1/4"
40	1	232-20050	Pedal, Up
41	2	480-11013	Caster, 4", With Brake