



Professional Service Equipment

3501 S. Leonard Rd.
P. O. Box 728
St. Joseph, Missouri 64502 U.S.A.

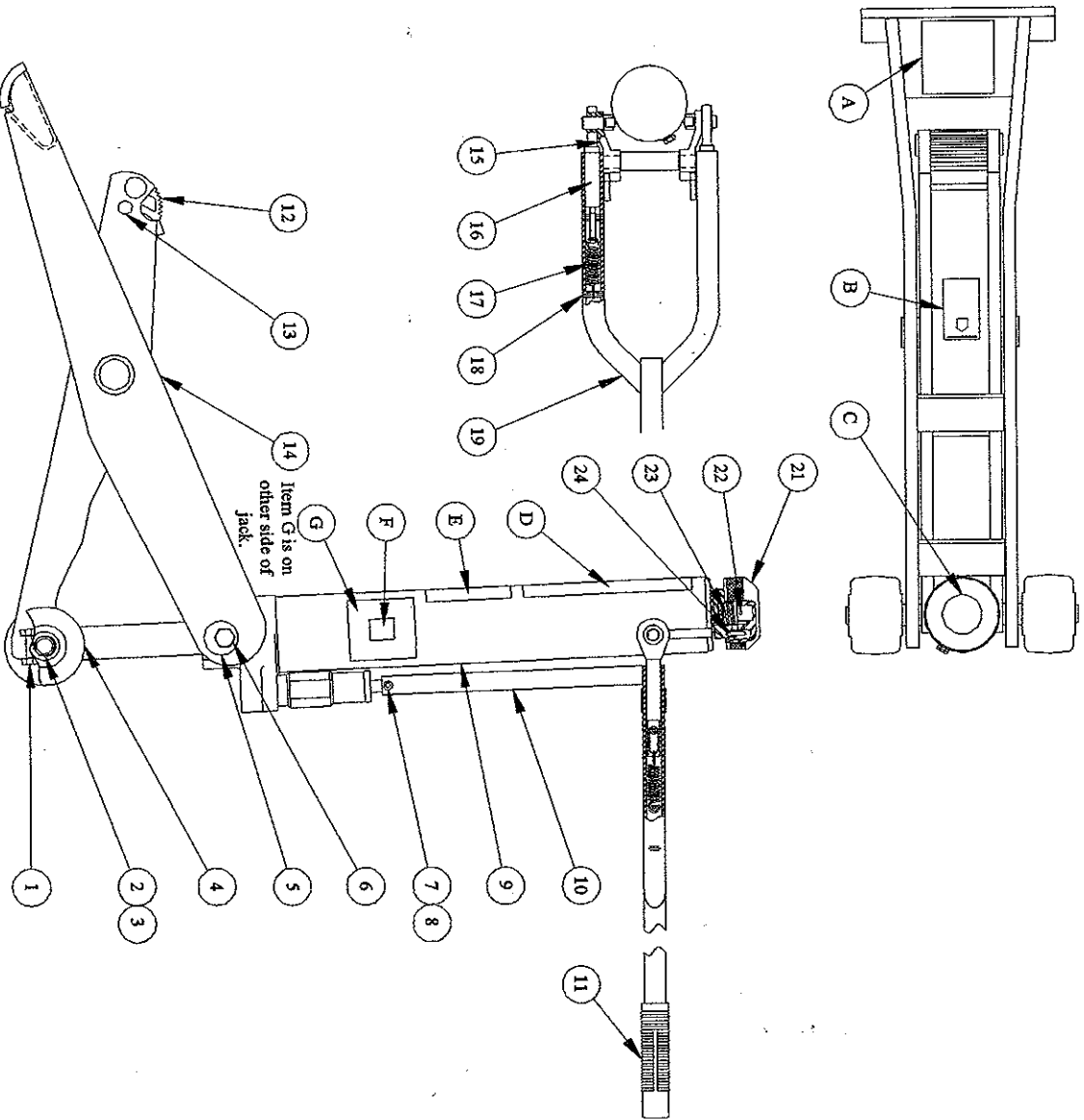
Toll Free: (800) 821-7320
Phone: (816) 233-6121
Fax: (816) 233-7251
Email: gray@grayusa.com
www.grayusa.com

Parts & Placard List

FLJ-770

Walking Beam Jack

Serial Number # 90-0010001 & UP



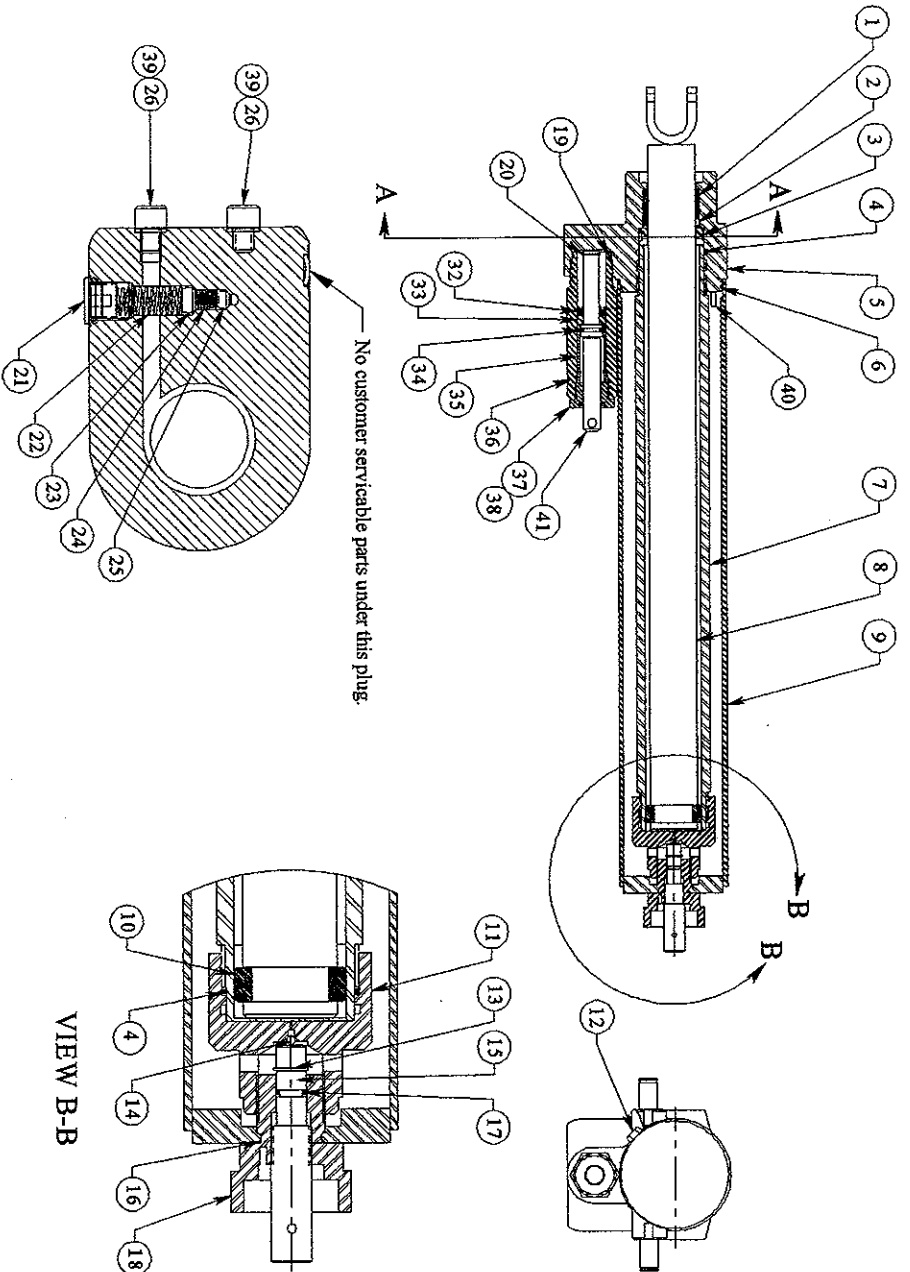
Item G is on
other side of
jack.

Final Assembly Parts List

Item	Qty	Part Number	Description
1	1	0-235-21002	Roll Pin, 1/4" Dia. X 1 1/2" Long
2	2	1-230-12001	Retaining Ring, External, 3/4" Dia.
3	4	1-204-01711	Washer, 1 1/2 OD, 49/64 ID, 1/16 Thick
4	2	1-480-01011	Wheel Subassembly, 3 1/4" Dia.
5	2	1-831-04005	Actuator Trunion Fitting
6	2	1-202-01403	Capscrew, Hex Hd., 1/2-20 UNF, 1 1/2" Lg
7	1	1-202-80203	Screw, Socket Head, 1/4 Dia. X 3/4 Long
8	1	0-203-00805	Nut, Hex 10-24 UNC, Steel, Nylon Insert
9	1	4-353-40049	Power Unit, Hydraulic
10	1	2-890-02004	Pump Tee Weldment
11	1	1-232-20001	Hand Grip, 7/8" Dia. X 5" Long
12	1	3-015-50007	Lift Pad
13	1	1-470-52004	Shaft, Special, 9/16 Dia. X 3 3/8 Long, Plain
14	1	3-890-02002	Frame Weldment
15	2	3-015-60003	Idle Link, Pump Handle
16	2	2-015-20025	Rod End, Pump Handle
17	2	1-233-02002	Spring, Extension, 1/2" OD
18	4	0-235-21007	Roll Pin, 1/4 Dia. X 7/8 Long
19	1	2-890-02005	Pump Handle Weldment
20			
21	1	2-890-04018	FLJ Knob
22	1	0-235-20018	Roll Pin, 1/8" Dia. X 1 5/8" Long, Plated
23	1	1-233-30006	Spring, Modified Torsion, FLJ
24	1	0-235-21032	Roll Pin, 5/32 X 3/4 Lg, Plated

Placard List

Item	Qty	Part Number	Description
A	1	1-670-10227	Information Placard, Two Position Lift Pad
B	1	1-670-10049	Information Placard, Notice
C	1	1-670-10231	Information Placard, Warning, FLJ-400B
D	1	2-670-00178	Identification Placard, FLJ-770
E	1	1-670-10259	Information Placard, Warning Label
F	1	1-670-10246	Information Placard, Two Speed Pump
G	1	1-670-10176	Information Placard, Multi-Language



Hydraulic Unit Parts List

Item	Qty	Part Number	Description
1.....	1	1-441-04002	Bearing, Plain, Cylindrical, 1-.3/8 Bore
2.....	1	1-390-11010	Seal, 1 5/8 OD X 1 3/8 ID X 1/4
3.....	1	1-353-49058	Oil Port Ring
4.....	2	1-390-01004	O-Ring, 2 1/16 OD X 1 7/8 ID
5.....	1	4-353-49195	Block
6.....	1	0-390-01005	O-Ring, 2 7/8 OD X 2 3/4 ID, ARP 568-039
7.....	1	2-353-41054	Cylinder
8.....	1	2-353-42026	Piston Rod Weldment
9.....	1	3-353-41053	Reservoir Weldment

10..... 3.... 1-353-44009...Piston Segment
11..... 1.... 2-353-43038...Cylinder Cap
12..... 1.... 1-275-20009...Pipe Plug, 1/8, External Hex
13..... 1.... 1-230-11013...Retaining Ring, External, "E", 7/16 Dia.
14..... 1.... 0-236-00018...Ball, 1/8 Dia. 440C Stainless Steel, Grade 25
15..... 1.... 2-353-49197...Release Stem
16..... 1.... 0-390-00077...O-Ring, 11/16 OD X 7/8 ID, PRP 568-118
17..... 1.... 0-390-00007...O-Ring, 7/16 OD X 5/16 ID, ARP 568-011
18..... 1.... 2-35343040...Retaining Nut
19..... 1.... 1-390-01006...O-Ring, 11/8 OD, 1 ID
20..... 1.... 1-230-11003...Retaining Ring, External E, 3/8 Dia.
21..... 1.... 1-274-34001...Plug, Str. Thd., Recessed Skt, With O-Ring
22..... 1.... 1-233-12002...Spring, Compression, .406 OD
23..... 1.... 0-236-00006...Ball, 3/8 Dia., 440C Stainless Steel, Gr 25
24..... 1.... 1-233-10007...Spring, Compression, .250 OD
25..... 1.... 0-236-00005...Ball, 1/4 Dia., 440C Stainless Steel, Gr 25
26..... 2.... 0-201-01101...Capscrew, Socket Head, 5/16-18 UNC, 3/8 Long
27
28
29
30
31
32..... 1.... 1-390-10007...Seal, 13/16 OD, 7/16 ID, 1/4 Deep
33..... 1.... 1-353-49053...Seal, Back Up, 7/16 Dia.
34..... 1.... 1-353-49052...Detent Ring
35..... 1.... 2-353-49049...Pump Detent Sleeve
36..... 1.... 3-353-49216...Pump Housing
37..... 1.... 1-353-43042...End Cap
38..... 1.... 1-390-10077...Wiper, Rod, Press-In, 1/2 ID X 3/4 OD X 1/8 Thk.
39..... 2.... 1-390-20007...Gasket, Metallic, .045 Thick, 5/16 ID
40..... 1.... 1-353-49010...Magnet, 1/8 Dia. X 7/16 Long
41..... 1.... 2-353-49215...Pump Plunger



**Professional
Service
Equipment**



3501 S. Leonard Rd.

P.O. Box 728

St. Joseph, MO U.S.A. 64502

1-800-821-7320

(816) 233-6121

FAX (816) 233-7251

or (816) 387-8157

www.grayusa.com

FLJ-700 PUMP PRIMING INSTRUCTIONS

If the model FLJ-770 should lose its prime for any reason, follow these steps to reprime it:

1. Hold knob open and stroke the handle through 2 full cycles, slowly. Release the knob.
2. Raise handle fully up, lay the jack over on its left side, as viewed from rear. Push the handle "down".
3. Stand the jack upright again, raise the handle to the top, lay the jack over on its left side and push the handle "down" again.
4. Stand the jack upright, stroke the handle while holding the knob open (counterclockwise).
5. Release the knob. The jack should operate satisfactorily.
6. Repeat the priming procedure if necessary.
7. Call Gray Automotive at 1-800-821-7320 if the problem persists after three attempts to reprime the jack.