

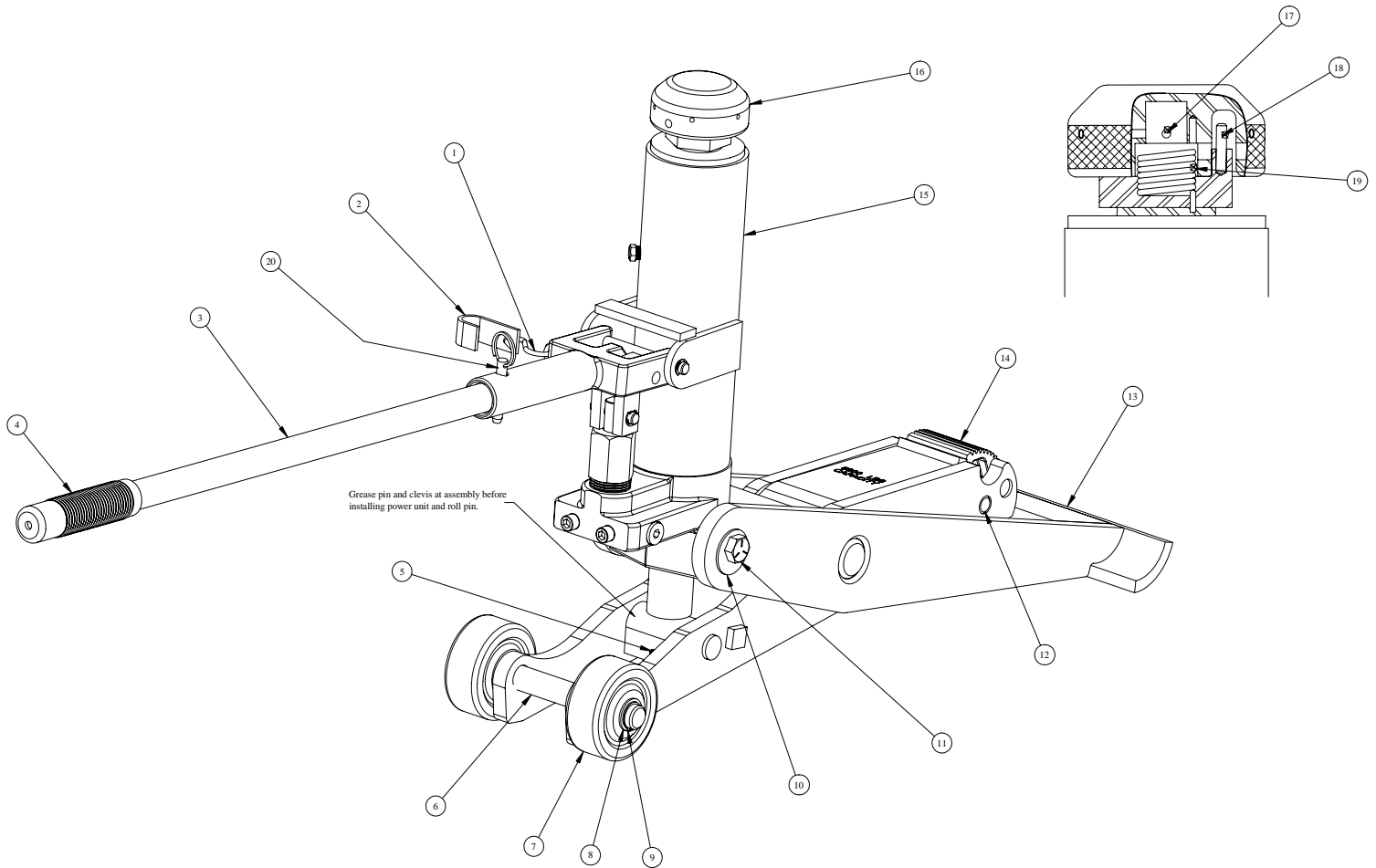
Professional Service Equipment



3501 S. Leonard Rd.
P.O. Box 728
St. Joseph, Missouri 64502
U.S.A.
Toll Free: (800) 821-7320
Phone: (816) 233-6121
Fax: (816) 233-7251
Email: gray@grayusa.com
www.grayusa.com

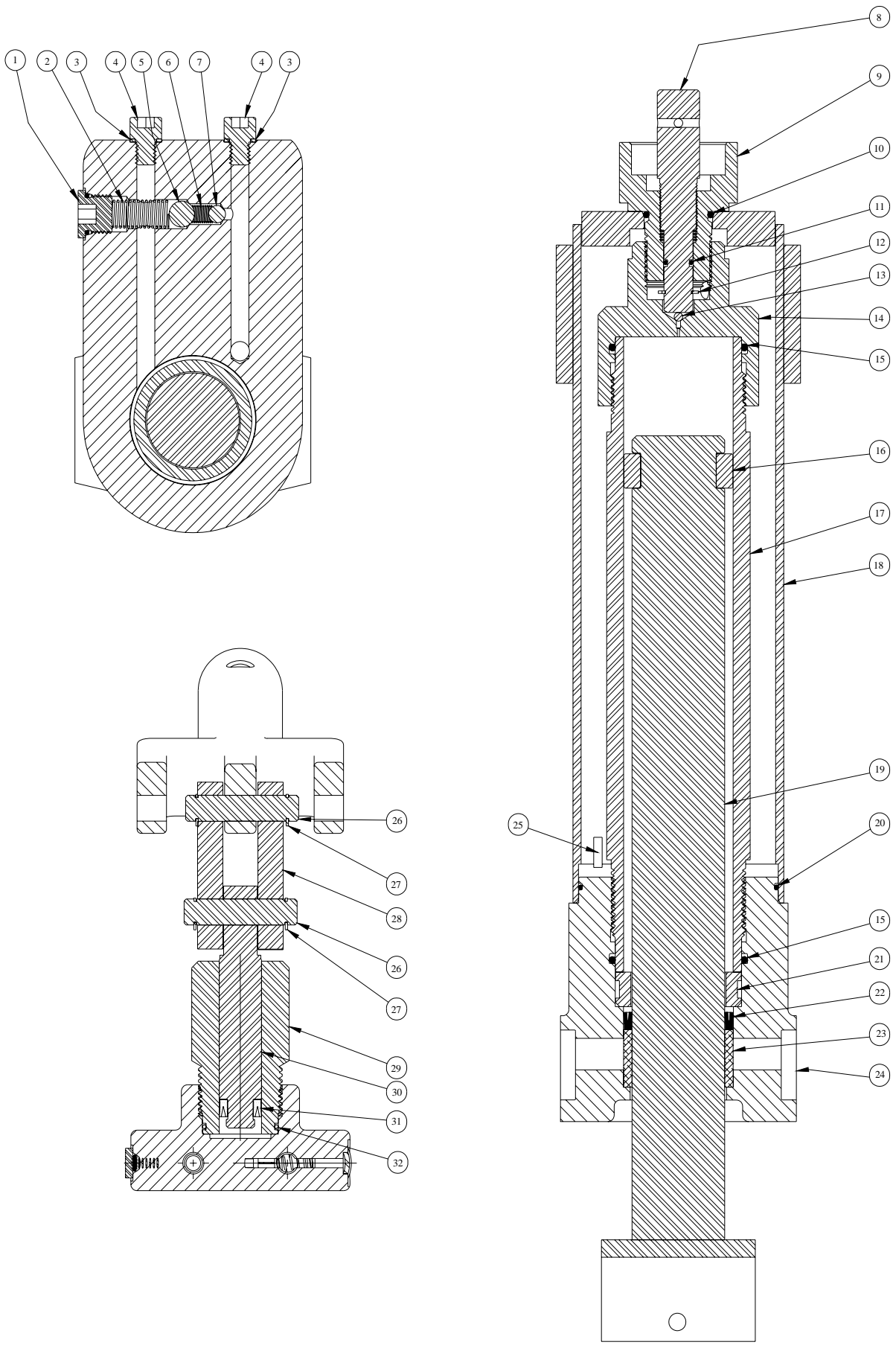
Parts List FLJ-400C Forklift Jack

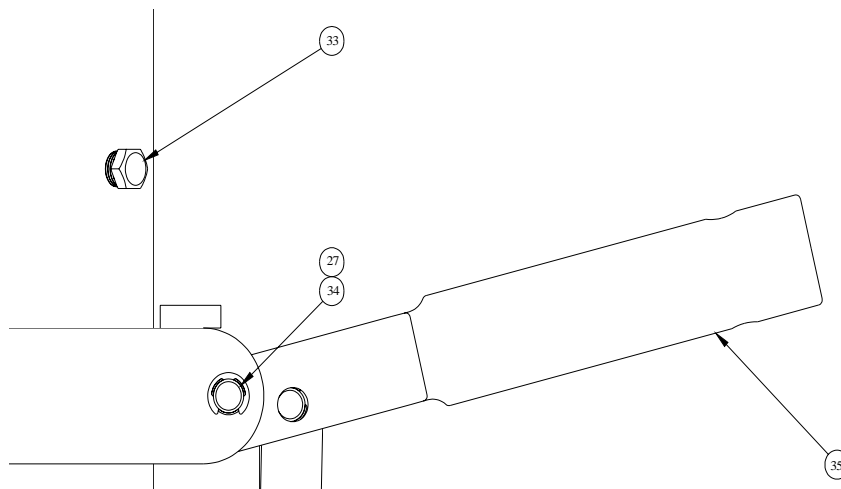
Model FLJ-400C Starting S/N 31-059855



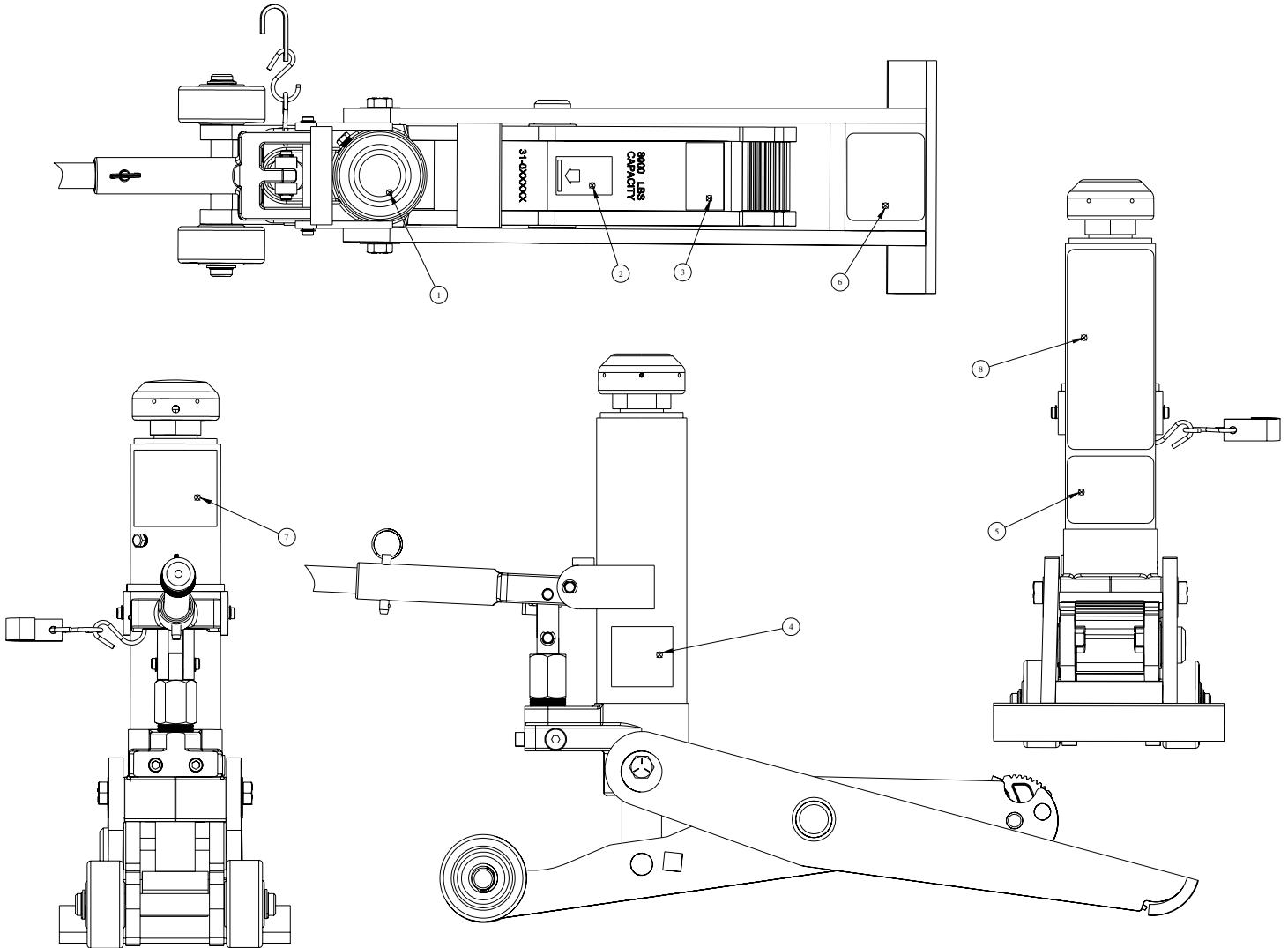
Soft Seal Kit 8-831-01002

Item	Qty	Part Number	Description
1	2	234-39011	Hook, S-Type
2	1	831-04002	Handle Locking Bracket
3	1	232-20089	Handle Tube, Drilled
4	1	232-20001	Handle Grip, 7/8 I.D. X 5" Long
5	1	235-21023	Roll Pin, 1/4 Dia., 1 3/8" Long
6	1	470-23021	Shaft, Grooved Ends, 3/4 Dia.
7	2	480-01007	Wheel, Non-Metallic, 3 Dia.
8	2	204-01704	Washer, Special, 1.005 O.D. X .755/.765 I.D. X .065 Thick
9	2	230-12001	Retaining Ring, External, 3/4 Diameter
10	2	831-04005	Actuator Turnnion Fitting
11	2	202-01403	Capscrew, Hex Hd., 1/2-20UNF, St'l, Pltd, Grade 5, Self Locking, 1 1/2" Lg
12	1	470-52004	Shaft, Special, 9/16 Dia. X 3.375 Long, Staked/Plain
13	1	831-02002	Frame Weldment
14	1	015-50007	Lift Pad
15	1	353-40083	Power Unit, FLJ
16	1	890-04018	FLJ Knob
17	1	235-20018	Roll Pin, 1/8 Dia. X 1 5/8" Long, Plated
18	1	235-21032	Roll Pin, 5/32 Dia. X 3/4 Long, Plated
19	1	233-30006	Spring, Modified Torsion, FLJ
20	1	232-10008	Quick Release Pin, 5/16 Dia.





Item	Qty	Part Number	Description
1	1	274-34001	Plug, Straight Thread, Recessed Hex, with O'Ring
2	1	233-12002	Spring, Compression, .406 Dia.
3	2	390-20007	Gasket, Metallic, .045 Thick, 5/16 I.D.
4	2	201-01101	Capscrew, Socket Head, 5/16-18UNC, Steel, Unplated, 3/8 Long
5	1	236-00006	Ball, 3/8 Dia., 440 C, Stainless Steel, Grade 25, 58-62 RC
6	1	233-10007	Spring, Compression, .250 O.D.
7	1	236-00005	Ball, 1/4 Dia., 440C Stainless Steel, Grade 25, 58-62 RC
8	1	353-49197	Release Stem
9	1	353-43040	Retaining Nut
10	1	390-00077	O'Ring, 1 1/16 O.D. X 7/8 I.D., ARP 568-118, Nitrile, 70 Duro
11	1	390-00007	O'Ring, 7/16 O.D. X 5/16 I.D. X 1/16 CS, ARP-011, Nitrile, 70 Duro
12	1	230-11013	Retaining Ring, External, E, 7/16 Dia.
13	1	236-00018	Ball, 1/8 Dia., 440C Stainless Steel, Grade 25, 58-62 RC
14	1	353-43038	Cylinder Cap
15	2	390-01004	O'Ring, 2 1/16 O.D. X 1 7/8 I.D.
16	3	353-44009	Piston Segment
17	1	353-41008	Cylinder
18	1	353-41070	Reservoir Tube Weldment
19	1	353-44012	Piston Rod Weldment
20	1	390-01005	O'Ring, 2 7/8 O.D. X 2 3/4 I.D. ARP568-039, Nitrile, 70 Duro
21	1	353-49058	Oil Port Ring
22	1	390-11010	Seal, 1 5/8 O.D. X 1 3/8 I.D. X 1/4
23	1	441-04002	Bearing, Plain, Cylindrical, 1 3/8 Bore
24	1	353-49311	Hydraulic Block, FLJ - Air Motor
25	1	353-49010	Magnet, 1/8 Dia., X 7/16 Long
26	2	470-20004	Shaft, Grooved Ends, 3/8 Dia.
27	6	230-11003	Retaining Ring, External, E, 3/8" Dia
28	2	353-49132	Link, Pump Plunger
29	1	353-49130	Pump Housing
30	1	353-49131	Plunger, 5/8 Dia.
31	1	390-10010	Seal, 5/8 X 3/8 X 1/4 Deep
32	1	390-01006	O'Ring, 1 1/8 O.D. X 1 I.D.
33	1	275-20009	Pipe Plug, 1/8", External Hex
34	1	470-20003	Shaft, Grooved Ends, 3/8 Dia.
35	1	232-20104	Pump Handle, Drilled (FLJ)



Item	Qty	Part Number	Description
1	1	670-10231	Information Placard, Warning, FLJ-400B
2	1	670-10049	Information Placard, Notice
3	1	670-00262	Information Placard, Capacity
4	1	670-10176	Information Placard, Multi-Language
5	1	670-10373	Information Placard, Address/Contact
6	1	670-10115	Information Placard, Two Position Lift Pad
7	1	670-10259	Information Placard, Warning Label
8	1	670-00265	Information Placard, FLJ - 400C