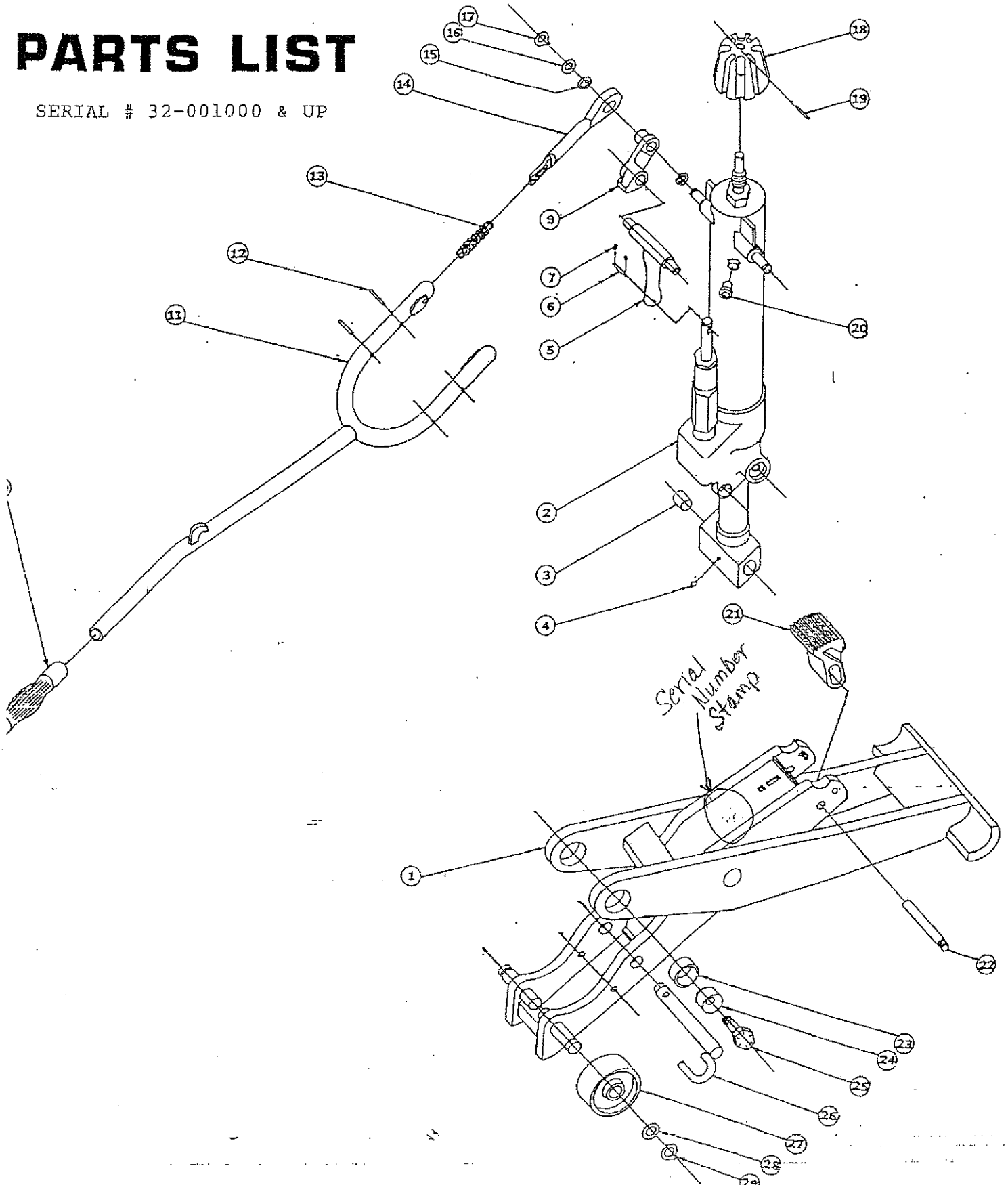


# FLJ-400

## PARTS LIST

SERIAL # 32-001000 & UP





Professional  
Service  
Equipment

## FLJ-400

Parts List

Serial # 32-001000 & Up

All Prices Subject to Tax & Freight

ITEM	PART NUMBER	PART DESCRIPTION	QTY	
1	832-02002	Frame	1	Obsolete
2	353-40006	Power Unit	1	Obsolete
3	441-01002	Bearing	2	Obsolete
4	400-50002	Grease Fitting	1	Obsolete
5	832-02007	Pump Tee Weldment	1	
6	470-20001	Shaft Grvd Ends 1/4x15/16	1	
7	230-10001	Retaining Ring 1/4" Dia	2	
9	<del>832-04047</del>	Idler Link, Pump Handle	2	obsolete
10	232-20114	Handle Grip	1	
11	232-20037	Pump Handle	1	
12	235-21007	Roll Pin, 1/4"D x 7/8" Lg	4	
13	233-02001	Spring Ext, 1/2" O.D.	2	
14	832-02006	Rod End Pump Handle	2	
15	204-01404	Wshrf 1/2 Type B Stl Pl	2	
16	204-01405	Washer Spec 1/2 x .814 OD	4	
17	230-11004	Ret Rg Ext Hvy Dty 1/2 D	2	
18	232-20039	Knob 3" Dia	1	
19	235-20004	Roll Pin 1/8"D x 5/8" Long	1	
20	275-20005	Plug Pipe 1/8" 27 NPT	1	
21	015-50015	Lift Pad	1	
22	470-52004	Shaft Spec 9/16"Dx3 3/8" Lg	1	
23	441-13001	Brg Bkd Cyl 1 1/4" x 1/2" Lg	2	
24	832-04016	Acuator Trunion Fitting	2	
25	202-01403	Capscrew	2	Obsolete
26	832-02005	Pull Pin Weldment	1	
27	480-00011	Whl & Gres Ftg S/Asy 3"	2	
28	204-01704	Wshr 1.005 od x.154id x.965	2	
29	230-12001	Retaining Ring	2	Obsolete

3501 S. Leonard Rd.

P.O. Box 728

St. Joseph, MO U.S.A. 64502

1-800-821-7320

(816) 233-6121

FAX (816) 233-7251

or (816) 387-8157

www.grayusa.com

# FLJ-400 HYDRAULIC UNIT PARTS LIST

SERIAL # 32-001000 & UP  
KITS AVAILABLE

COMPLETE PLUNGER KIT 832-01002

Contains items 15-16-17-18-19-20-21-22-23-24  
and 6-7 on frame drawing.

MODIFIED PLUNGER KIT 832-01003

Contains items 16-17-18-19-20-21-22

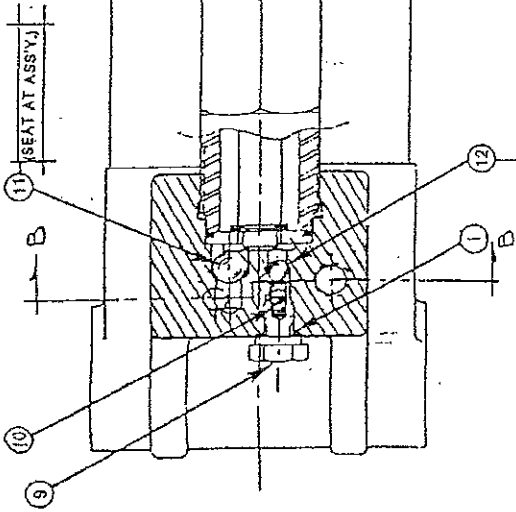
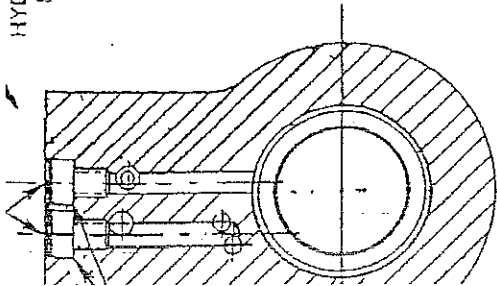
SOFT SEAL KIT 832-01004

Contains items 15-16-17-19-21

RESERVOIR SEAL KIT 832-01006

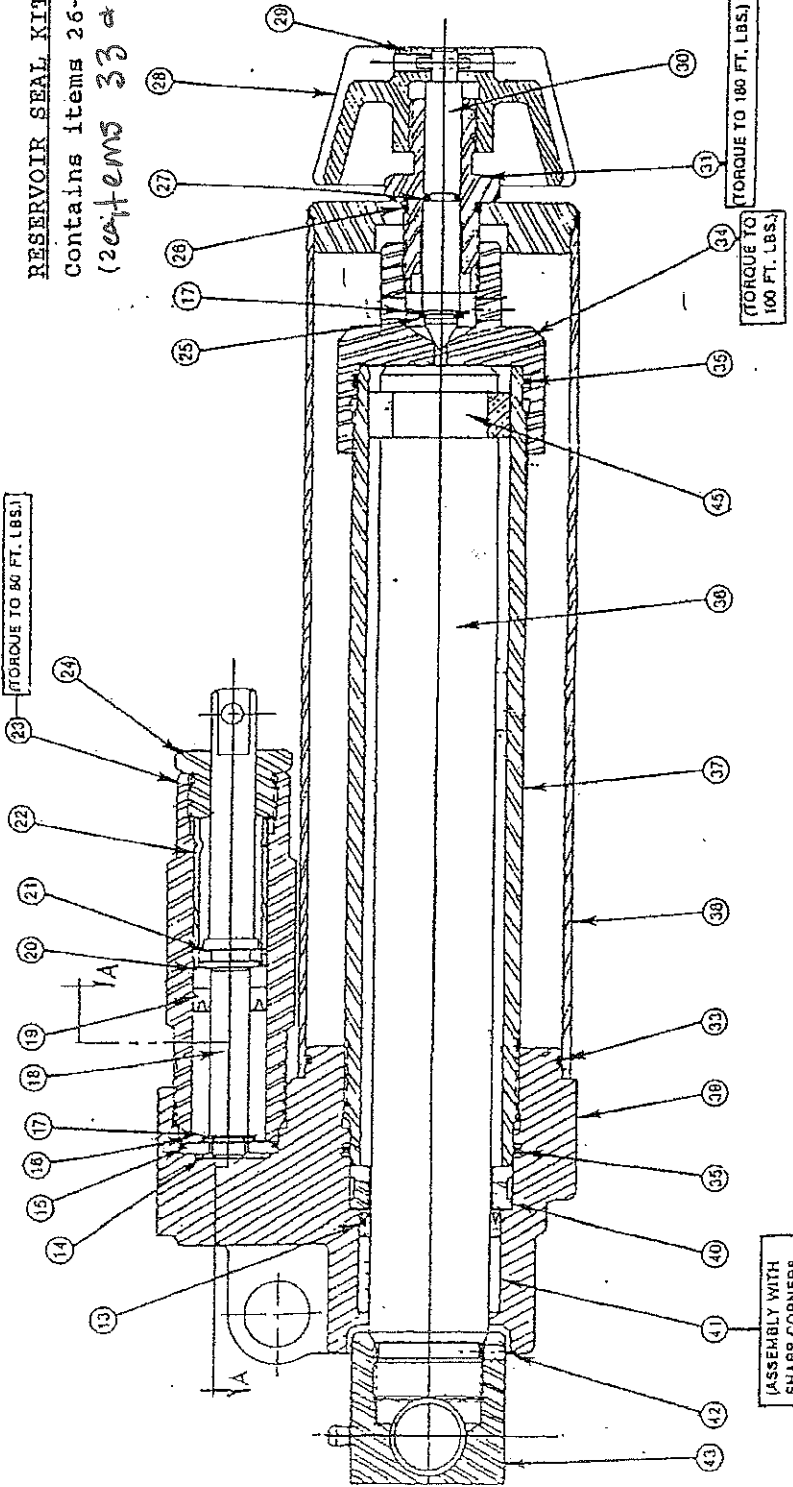
Contains items 26-27-33-35-13  
(26-items 33 & 35)

HYDRAULIC RELEASE IS  
SET AT FACTORY.



[SEAT AT ASST.]  
[CHECK BALL TO OPEN AT 15-30 PSI]

[TORQUE TO 80 FT. LBS.]



[ASSEMBLY WITH  
SHARP CORNERS  
TOWARD PACKING]



Professional  
Service  
Equipment

## FLJ-400

Parts List      Serial # 32-001000 & Up

All Prices Subject to Tax & Freight

3501 S. Leonard Rd.

P.O. Box 728

St. Joseph, MO U.S.A. 64502

1-800-821-7320

(816) 233-6121

FAX (816) 233-7251

or (816) 387-8157

www.grayusa.com

Item	Part Number	Part Description	Qty
1	390-20007	Copper Washer	3
2	201-01101	Socket Head Cap Screw	2
9	353-49055	Outlet Check Screw	1
10	233-10004	Spring	1
11	236-00009	Steel Ball, 11/32 Dia	1
12	236-00008	Steel Ball, 7/32 Dia	1
13	390-11010	Disogrin "U" Cup	1
14	353-49054	Seal Ring, Backup	1
15	390-01006	O-Ring, 1 1/8" OD x 1" Long	1
16	230-11003	Ret Ring Ext, "E" 3/8 Dia	1
17	204-01605	Wshr Spec 5/8 OD x .385 ID	2
18	353-44005	Piston 7/16" Dia	1
19	390-10007	Seal 13/16 OD 7/16 ID x 1/4"	1
20	353-49053	Seal Backup 7/16" ID	1
21	353-49052	Detent Ring	1
22	353-49049	Pump Detent Sleeve	1
23	353-49048	Pump Housint	1
24	353-43010	End Cap 1/2" ID	1
25	230-11005	Ret Ring Ext 3/8 Dia	1
26	390-00006	O-Ring 15/16 OD x 3/4 ID x 3/32 OE	1
27	390-00007	O-Ring 7/16 OD x 5/16 ID	1
28	232-20039	Knob, 3" Dia	1
29	235-20004	Roll Pin 1/8" D x 5/8" Long	1
30	353-49051	Release Valve Stem	1
31	353-49047	Retaining Nut	1
33	390-01005	O-Ring 2 7/8 OD x 2 3/4 ID	1
34	353-43008	Cylinder Cap	1
35	390-01004	O-Ring 2 1/16 OD x 1 7/8 ID	2
36	353-44008	Piston Rod 1 3/8" Dia	1
37	353-41008	Cylinder	1
38	353-41009	Reservoir Weldment	1
39	353-49046	Pump Body	1
40	353-49058	Oil Port Ring	1
41	441-04002	Brg Plcyl 1 3/8" Bore	1
42	201-30802	Socket Set Screw	1
43	353-49064	Ram Pivot Block	1
44	275-20005	Plug Pipe 1/8" 27 NPT	1
45	353-44009	Piston Segment	3

Obsolete

## **PRIMING INSTRUCTIONS**

### **FLJ-400 Production Model**

To prime the production model FLJ-400 Actuator — in the event it inadvertently loses its prime in shipment or otherwise, proceed as follows:

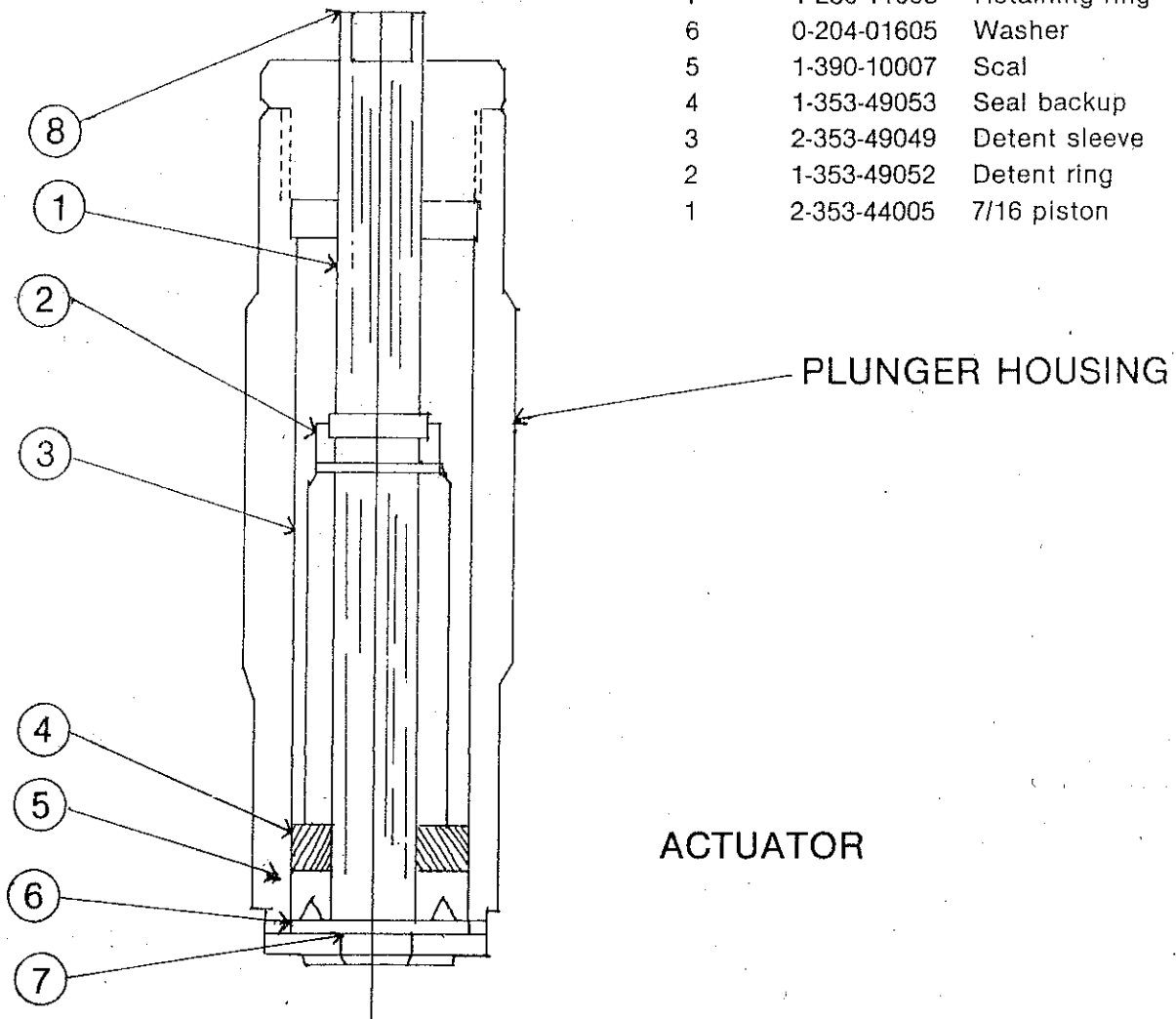
1. Raise handle fully up, then give handle an extra 15 or 20 lbs. upward pull to assure pump is in high rate mode of operation.
2. Open release valve (large red knob on top) approximately two (2) full turns.
3. Stroke handle through two (2) full strokes slowly.
4. Raise handle fully up — lay jack over on left side as viewed from rear—push handle in.
5. Stand jack upright again — raise handle to top and lay over on side and push handle in again.
6. Stand jack upright — stroke handle slowly 2 or 3 more times — close release valve and check that jack operates satisfactorily.

If you have any questions, please call Gray Manufacturing Company's Customer Service Department.

TITLE:

# FLJ-400 Pump Plunger Field Replacement Instructions (Modified Kit)

ITEM	PART NUMBER	DESCRIPTION
8	1-441-10001	Bearing (if needed)
7	1-230-11003	Retaining ring
6	0-204-01605	Washer
5	1-390-10007	Scal
4	1-353-49053	Seal backup
3	2-353-49049	Detent sleeve
2	1-353-49052	Detent ring
1	2-353-44005	7/16 piston



8-832-01003 ASSY

1. Remove plunger end cap and housing.
2. Remove all parts from housing and wash and polish I.D. of housing if necessary.
3. Lubricate housing I.D. and assemble new parts into housing per attached picture.
4. Assemble end cap.
5. Install plunger assembly into actuator and tighten to approximately 100 ft./lbs.
5. Install plunger assembly into actuator and tighten to approximately 100 ft./lbs.
6. Prime per instructions enclosed.

670-90024