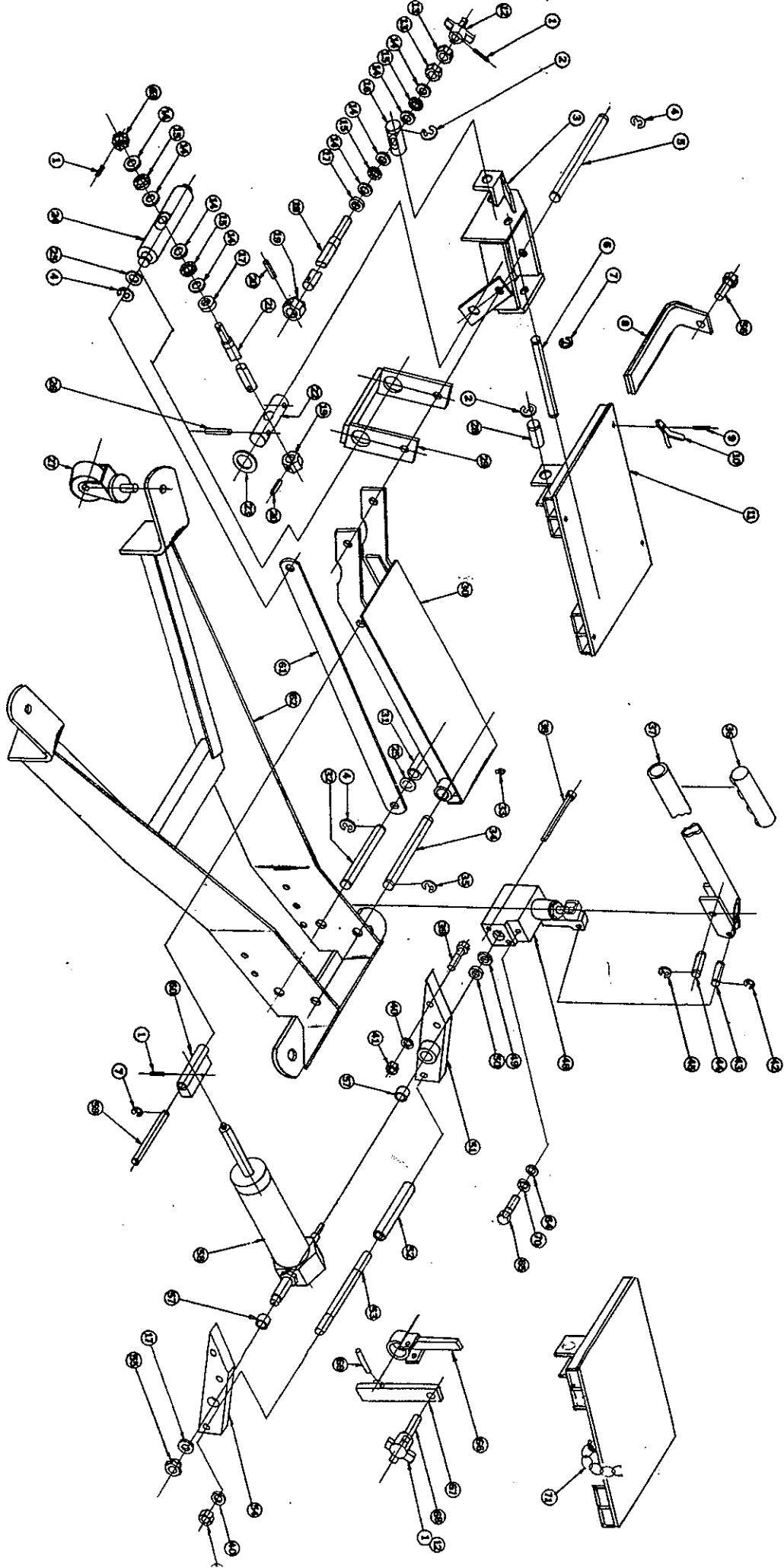


MM-2000 *Obsolete*

PARTS LIST

Serial No. 28-001430 and Above



Obsolete



Professional Service Equipment

3501 S. Leonard Rd.

P.O. Box 728

St. Joseph, MO U.S.A. 64502

1-800-821-7320

(816) 233-6121

FAX (816) 233-7251

or (816) 387-8157

www.grayusa.com

MM-2000 Heavy Duty Truck Transmission Jack

Parts List Serial # 28-001000 to 28-009999

ITEM	PART NUMBER	DESCRIPTION	ITEM	PART NUMBER	DESCRIPTION
1	235-21001	Roll Pin, 3/16 x 1	38	201-01116	Capscrew, SKT, HD, 5/16x1/2
2	230-13001	Retaining Ring, 1" Dia	39	200-31309	Capscrew, 7/16" x 1-3/4"
3	828-02005	Sub-Frame Weldment	40	204-11301	Lockwasher, 7/16"
4	230-12005	Retaining Ring, 3/4"	41	203-01301	Nut, Hex, 7/16"
5	470-23016	Shaft, Fore-Aft Tilt	42	230-11003	Retaining Ring, 3/8"
6	470-22009	Shaft, Side Tilt	43	470-20002	Shaft, Handle Pivot
7	230-12006	Retaining Ring, 5/8"	44	470-21003	Shaft, Plunger
8	828-02010	Transmission Bracket	45	230-11000	Retaining Ring, 1/2"
9	235-21003	Roll Pin, 1/4 x 1-1/4	46	828-02015	Plunger Adapter
10	828-01001	Ratchet (with spring)	47	235-21006	Roll Pin, 3/16" x 1-1/4"
11	828-02003	Adapter Weldment	48	353-49113	Pump Unit
12	828-01002	Knob, 2-1/2"	49	*390-10002	Seal, 7/16" ID
13	203-01600	Nut, Hex, 5/8"	50	*390-30002	Backcup, Seal
14	440-31002	Bearing, Race	51	828-02011	Cylinder Lug, RH
15	440-31001	Thrust Bearing	52	828-04037	Spacer, Cylinder Lugs
16	828-04033	Trunnion, Outer	53	202-71301	Stud, 7/16"
17	204-01607	Washer, Special, 5/8" Dia	54	828-02012	Cylinder Lug, LH
18	828-04035	Screw, Side Tilt	55	827-04047	Locknut, Release Bracket
19	828-04027	Drive Nut	56	200-31612	Capscrew, 5/8" x 2-1/2"
20	235-22002	Roll Pin, 5/16" x 1"	57	441-11003	Bearing, 3/4" x 1/2"
21	828-04028	Screw, Fore-Aft Tilt	58	353-40009	Hydraulic Unit
22	828-04026	Trunnion, Rear	59	470-22006	Shaft, Cylinder, Front
23	204-02012	Washer, 1-1/4"	60	828-02013	Trunnion, Cylinder, Front
24	828-04025	Trunnion, Front	61	828-04018	Leveling Link
25	204-01701	Washer, 3/4"	62	828-02002	Frame Weldment
26	235-22004	Roll Pin, 3/8" x 2"	63	203-31601	Nut, Slotted, 5/8"
27	480-11025	Caster, 4" Dia	64	204-01304	Washer, 7/16"
28	828-04034	Trunnion, Inner	65	200-31307	Capscrew, 7/16" x 1-1/4"
29	828-02004	Adapter Bracket Weldment	66	828-02008	Release Bracket
30	828-02001	Lift Arm	67	828-02016	Release Lever Weldment
31	8057-54020	Spacer, Leveling Links	68	202-71491	Stud, 1/2"
32	470-23015	Shaft, Leveling Links	69	235-21002	Roll Pin, 1/4" x 1-1/2"
33	400-50000	Grease Fitting	70	204-11301	Lockwasher, 7/16"
34	470-24005	Shaft, Lift Arm, Rear	71	234-39007	Chain
35	230-13002	Retaining Ring, 7/8" Dia	72	828-04052	Cradle, Differential
36	232-20001	Handle Grip	73	828-04053	Link
37	828-02018	Handle Weldment	74	200-31607	Capscrew, 5/8" x 1-1/4"

Prices Good Thru December 29, 2000
 All Parts Orders Are Subject To Tax And Freight.
 * Included In Complete Seal Kit 8828-01020
 N/A = Not Available
 DNC1000



**Professional
Service
Equipment**

MM-2000 Pump Unit

Serial No. 28-001430 and Above

3501 S. Leonard Rd.

P.O. Box 728

St. Joseph, MO U.S.A. 64502

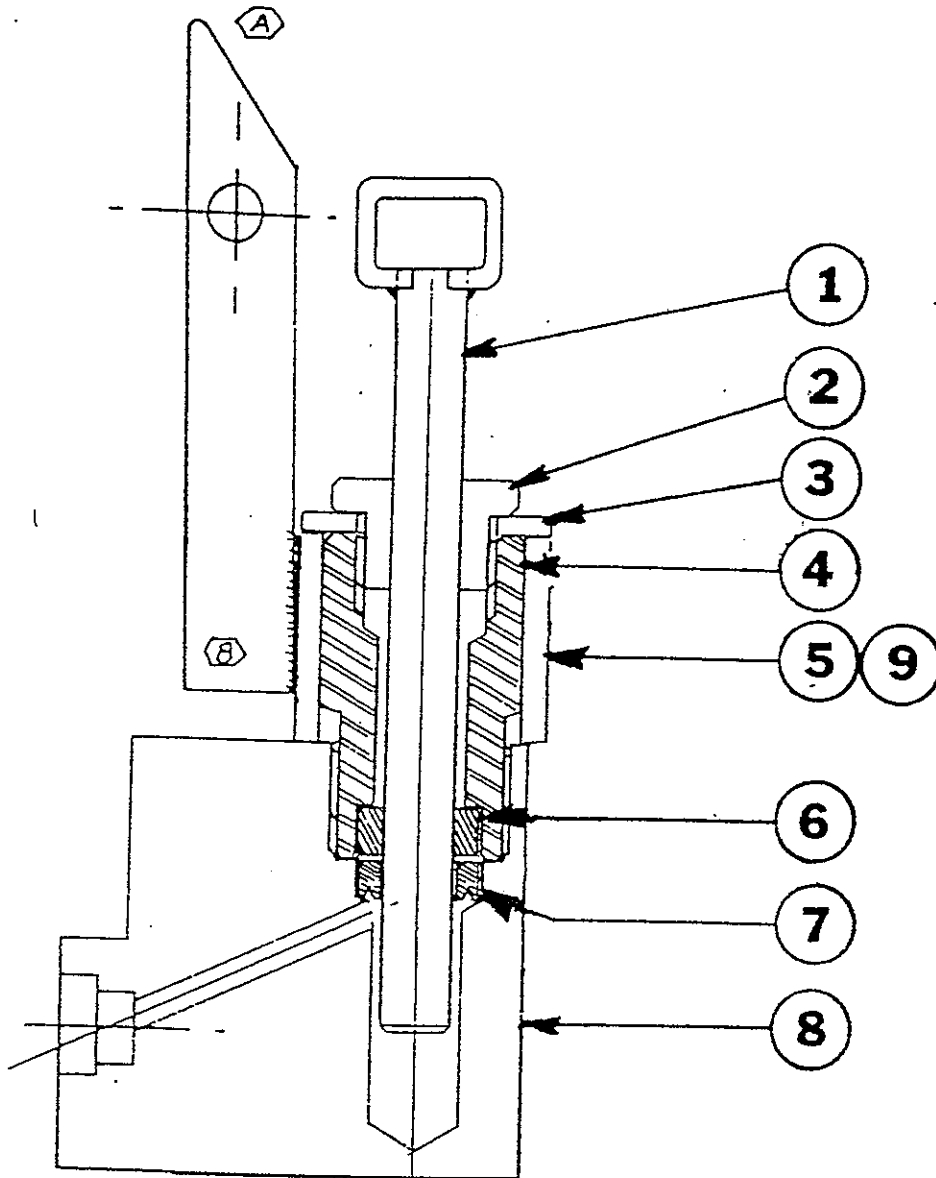
1-800-821-7320

(816) 233-6121

FAX (816) 233-7251

or (816) 387-8157

www.grayusa.com



<u>ITEM</u>	<u>QTY</u>	<u>PART NUMBER</u>	<u>DESCRIPTION</u>
1	1	828-02019	Plunger Weldment
2	1	353-43010	End Cap, 1/2" ID
3	1	204-01904	Washer, Special, 1' Dia
4	1	353-49112	Pump Housing
5	1	828-02018	Handle Swivel Weldment
6	1	*353-49110	Seal, Backup
7	1	*390-10008	Seal, 7/8 x 1/2 x 1/4
8	1	353-49109	Pump Block
9	1	400-50000	Grease Fitting

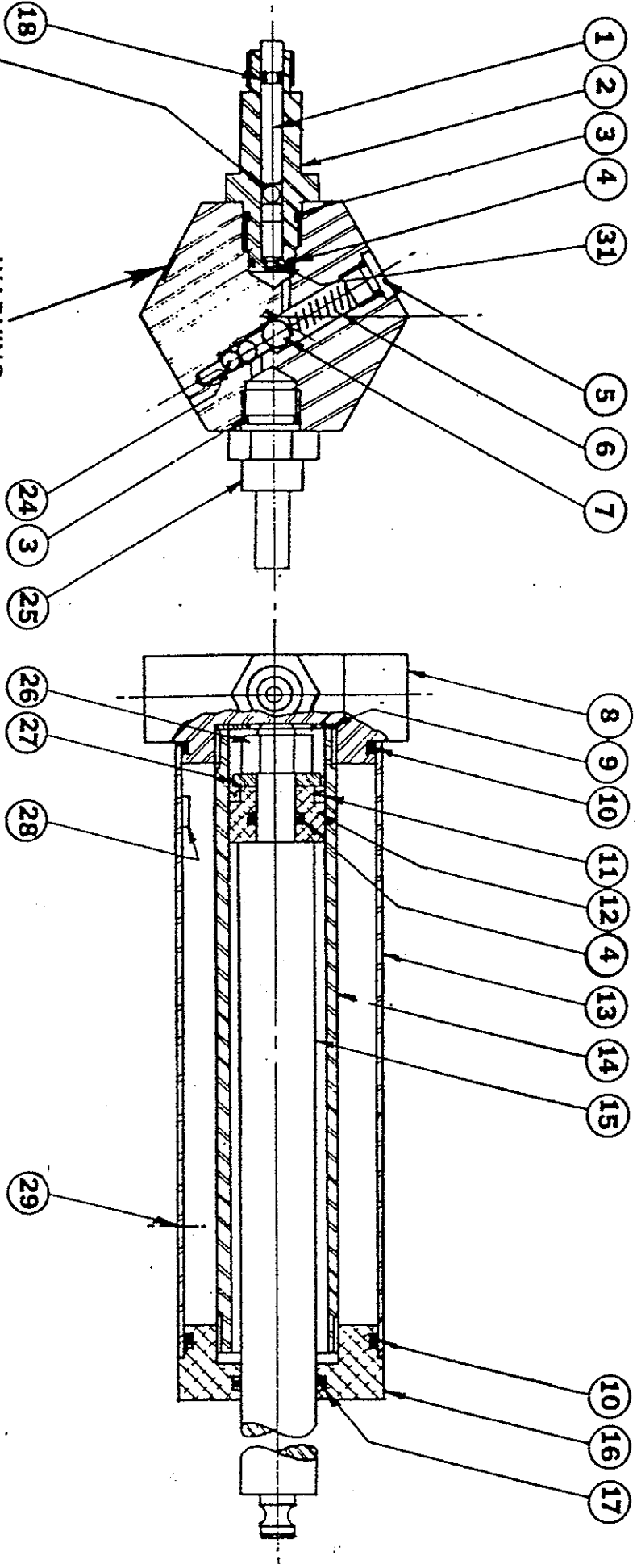
* Included in complete seal kit 8828-01020

All parts orders are subject to tax and freight.

DNO1000

MM-2000 Hydraulic Unit

Serial No. 28-001430 and Above



WARNING:
DO NOT TAMPER WITH THIS PLUG.
RELIEF IS SET A FACTORY.

ITEM	PART NUMBER	DESCRIPTION
1	~353-49107	Release Rod
2	~353-49081	Trunnion, LH
3	~390-00011	O-Ring, 3/4 x 5/8
4	~390-00010	O-Ring, 5/8 x 1/2
5	274-34001	Plug With O-Ring
6	233-12002	Spring, .406 Dia
7	236-00006	Ball, 3/8" Dia
8	353-49072	Block
9	*390-20008	Gasket, Copper
10	*390-01007	O-Ring, 2-1/2 x 2-5/16
11	*390-11013	Seal, 1-1/4 x 1
12	353-44006	Piston
13	353-41015	Reservoir Tube

ITEM	PART NUMBER	DESCRIPTION
14	Kit 8828-01004	Cylinder Tube
15	353-42009	Ram
16	353-43013	End Cap
17	*390-11002	Seal, 1-1/4 x 1
18	*~390-00009	O-Ring, 5/16 x 3/16
24	236-00005	Ball, 1/4" Dia
25	353-49080	Trunnion, RH
26	203-01403	Nut, 1/2, Self-Locking
27	204-01406	Washer, Special, 1/2"
28	353-49010	Magnet
29	275-20009	Pipe Plug
30	~236-00010	Ball, 5/16" Dia
31	~353-49108	Rod Tapered Step Release

ITEM	PART NUMBER	DESCRIPTION	Availability
14	353-41016	Cylinder Tube	Not Available
15	353-42009	Ram	Not Available
16	353-43013	End Cap	Not Available
17	*390-11002	Seal, 1-1/4 x 1	Not Available
18	*~390-00009	O-Ring, 5/16 x 3/16	Not Available
24	236-00005	Ball, 1/4" Dia	Not Available
25	353-49080	Trunnion, RH	Not Available
26	203-01403	Nut, 1/2, Self-Locking	Not Available
27	204-01406	Washer, Special, 1/2"	Not Available
28	353-49010	Magnet	Not Available
29	275-20009	Pipe Plug	Not Available
30	~236-00010	Ball, 5/16" Dia	Not Available
31	~353-49108	Rod Tapered Step Release	Not Available
	8828-01020	Complete Seal Kit	Kit 8828-01004
	8828-01004	Left Hand Trunnion Kit	Kit 8828-01004

* Included in complete seal kit 8828-01020
 ~ Included in Left Hand Trunnion Kit 8828-01004
 All parts orders are subject to tax and freight.
 DNC1000

MM-2000 TROUBLE SHOOTING (OLD STYLE)

PROBLEM: JACK WILL NOT PUMP UP.

Possible solutions:

- Jack has lost its prime. Have customer open the release knob 2 full turns and then manually raise lift arm and lower 3-4 times. Close release knob. Pump up and then release once more.
- Check balls are not seating. Remove, clean and re-seat check balls.
- L/H trunnion bad. Replace with L/H Trunnion Kit (8828-01004).

PROBLEM: JACK IS LEAKING DOWN.

Possible solution:

- Release valve not closing completely. Adjust jam nuts on release valve handle so that the release knob opens 1/8"-1/4" turn before lift arm begins to lower. This adjustment should be done with 1000 lbs- 1500 lbs on the lift platform.
- Check balls not seating. Remove, clean and re-seat.
- Check for external oil leaks. Find source of the leak and repair.

MM-2000 HYDRAULIC FLUID FILLING PROCEDURES SERIAL NUMBERS STARTING WITH 28-00

1. Make sure hydraulic unit is in the lowered position.
2. Stand the MM-2000 upright with ram pointed upwards.
3. Remove fill plug from the side of the reservoir tube.
4. Fill reservoir with 9 ounces of Mobile DTE # 13 or equivalent hydraulic oil or fill until oil runs out of the fill hole.

PRIMING PROCEDURES

1. Close release knob and fully elevate lift arm manually.
2. Remove fill plug from reservoir tube to allow air to enter space above oil.
3. Replace and tighten fill plug.
4. Open release knob to lower lift arm to the down position.
5. Tip jack on side with pump unit to the floor.
6. By hand carefully raise and lower lift arm.
7. Close release knob and operate pump handle until movement of the lift arm occurs. Repeat step 6 if necessary.
8. Unit should now be fully primed. Restore unit to normal position.