

Please read and save these instructions. Read carefully before attempting to assemble, install, operate or maintain the product described. Protect yourself and others by observing all safety information. Failure to comply with instructions could result in personal injury and/or property damage! Retain instructions for future reference.

# Westward® Hydraulic Quick Lifting Jacks

## Description

Westward hydraulic **Quick Lifting** jacks are used for lifting part of a total vehicle (i.e., one wheel). Jacks are equipped with a built-in by-pass device to prevent damage to jack from overpumping. An internal safety valve prevents damage to jack from overloading. Applications include automotive, truck, farm, industrial and construction. These jacks are designed to meet applicable ASME/ANSI Standards.

## Specifications

Model	Capacity	Length	Min. Height	Max. Height
5ML68A	4 Ton	48 13/16"	5"	24"
5ML69A	5 Ton	52 3/4"	6 1/2"	22 1/4"
5ML70A	10 Ton	51 1/2"	6 7/8"	27"

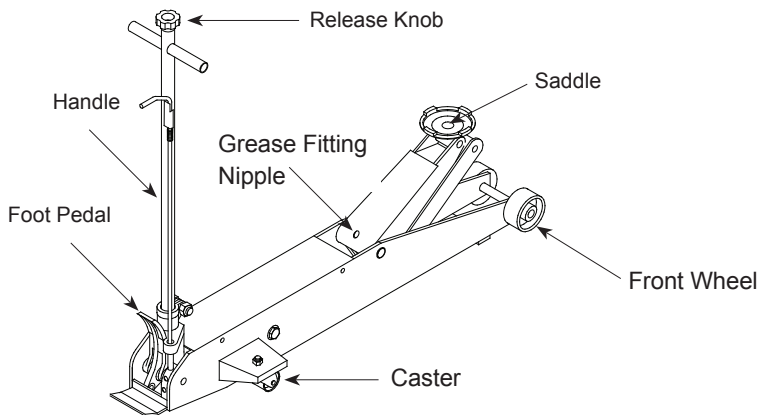


Figure 1 — Hydraulic Service Jack Components

## General Safety Information

**WARNING** Study, understand, and follow all instructions before operating this device. Lifting device only. Intended use is for lifting part of a total vehicle, only one wheel or axle at a time. Immediately after lifting, support vehicle with appropriate means. Do not exceed rated capacity. Use only on hard, level surfaces capable of sustaining rated capacity loads. Lift only on those areas of the vehicle as specified by the vehicle manufacturer. Ensure that the lift point is properly centered on the jack saddle. Always wear safety glasses when using this equipment. Inspect jack before each use. Do not use if bent, broken, leaking, or damaged components are noted. No alteration of this product is allowed. Do not use this device for

any purpose other than that for which it was intended. Failure to heed any one or combination of these warnings may result in severe personal injury and/or property damage.

## Assembly

Use figure 1 as reference.

1. Assemble the handle to handle socket by inserting the handle piece into the socket; align the handle with jack chassis, then tighten the hexagon nut securely.
2. Try to operate the release mechanism by turning the release knob located on top of the handle clockwise and counterclockwise to see if release shaft fits together well.

3. Occasionally, hydraulic jacks become air bound and will not function properly. To correct this condition, remove oil filler/vent plug. This will allow any pressurized air to escape. Check for proper oil level (see Adding Oil, page 2), adjust as needed. DO NOT OVERFILL! Reinstall oil filler/vent plug.
4. Squirt a small amount of hydraulic jack oil on pistons and lightly lubricate all moving parts of jack.

## Operation

**WARNING** Off-centered loads and loads lifted while jack is not level may damage the jack or cause personal injury.

## LIFTING

1. Prevent inadvertent vehicle movement by fully engaging emergency brake, putting transmission in park. Use wheel chocks in pairs on the wheel diagonally opposed to the wheel or axle lifted.
2. Close release valve by turning the release knob on top of handle clockwise until it is firmly closed.
3. Position jack under load and align to the lift point suggested by vehicle manufacturer.
4. Operate jack by pumping the handle, foot pedal until saddle contacts load point. Ensure load is centered on saddle. Then operate jack until load reaches desired height.

**NOTE:** Never use foot pedal to raise load.

**WARNING** This is a lifting device only. The load must be supported immediately by other appropriate means.

**CAUTION** Keep hands, feet, and clutter clear of ground area when lowering the load.

# Westward® Hydraulic Quick Lifting Jacks

## Operation (cont.)

### LOWERING

SLOWLY open the release valve by turning the handle knob counterclockwise.

**WARNING** *Avoid shock loads created by quickly opening and closing the release valve as the load is being lowered. Shock loads can create dangerously high operating pressures within the hydraulic system, causing system failure and resulting in personal injury and/or property damage.*

## Maintenance

**IMPORTANT:** When adding or replacing oil, always use a good grade hydraulic jack oil. Do not use hydraulic brake fluid, alcohol, glycerine, detergent motor oil or dirty oil. Improper fluid can cause serious internal damage to the jack rendering it inoperative.

### ADDING OIL

1. Position the jack on level ground and fully lower the saddle. Remove oil filler/vent plug.
2. Fill oil to within 3/8" of filler hole. **DO NOT OVERFILL!** If overfilled, the jack will not lower to published minimum height. If underfilled, the jack will not reach published maximum height. Adjust fluid level as needed. Always reinstall oil filler/vent plug before use.

### REPLACING OIL

1. Remove oil filler/vent plug.
2. Turn jack over and drain old oil out through oil filler plug hole.

3. Refill with new oil through the oil filler hole.

**IMPORTANT:** Do not allow dirt or other foreign material to enter the hydraulic system when filling.

4. After refilling, remove air from system by opening release valve and rapidly pumping handle several times. Reinstall oil filler/vent plug when done.

### LUBRICATION

1. Add lubricating oil to all moving parts as needed.
2. Apply grease to grease fittings periodically.

### PREVENTING RUST

1. Check ram and piston periodically for signs of corrosion. Clean as needed with an oily cloth.
2. When not in use, store jack with saddle and piston fully retracted.

## Troubleshooting Chart

Symptom	Possible Cause(s)	Corrective Action
Jack will not lift load	<ol style="list-style-type: none"> <li>1. Release valve not tightly closed</li> <li>2. Overload condition</li> </ol>	<ol style="list-style-type: none"> <li>1. Ensure release valve tightly closed</li> <li>2. Remedy overload condition</li> </ol>
Jack bleeds off after lift	<ol style="list-style-type: none"> <li>1. Same as above</li> <li>2. Hydraulic unit malfunctioning</li> </ol>	<ol style="list-style-type: none"> <li>1. Same as above</li> <li>2. Replace</li> </ol>
Jack will not lower after unloading	<ol style="list-style-type: none"> <li>1. Reservoir overfilled</li> <li>2. Linkages binding</li> </ol>	<ol style="list-style-type: none"> <li>1. Drain fluid to proper level</li> <li>2. Clean and lubricate moving parts</li> </ol>
Poor lift performance	<ol style="list-style-type: none"> <li>1. Fluid level low</li> <li>2. Air trapped in system</li> </ol>	<ol style="list-style-type: none"> <li>1. Ensure proper fluid level</li> <li>2. With ram fully retracted, remove oil filler plug to let pressurized air escape, reinstall oil filler plug</li> </ol>
Will not lift to full height	Fluid level low	Ensure proper fluid level

**For Repair Parts, call 1-800-323-0620**  
**24 hours a day - 365 days a year**

Please provide following information:

- Model number
- Serial number (if any)
- Part description and number as shown in parts list

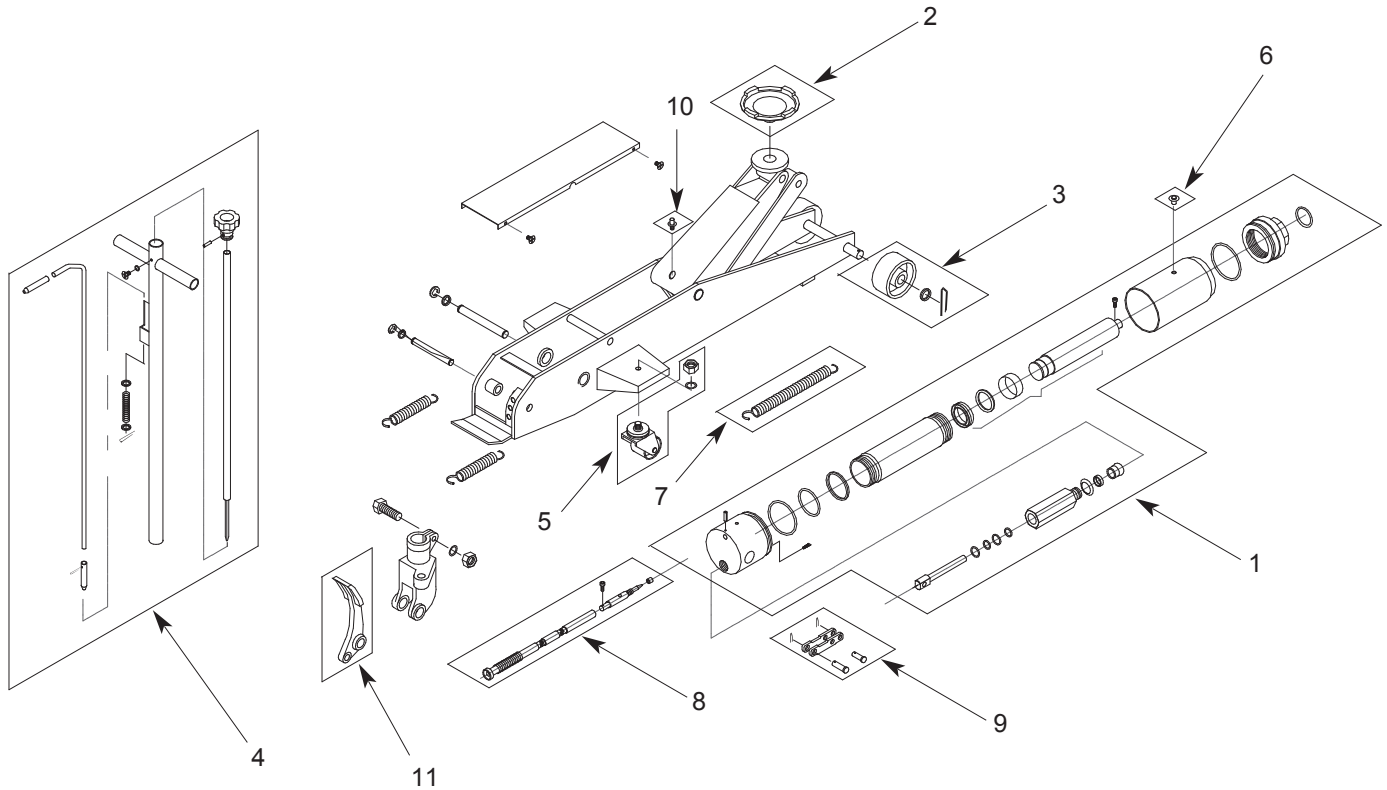


Figure 2 — Repair Parts Illustration for Models 5ML68A, 5ML69A and 5ML70A

**Repair Parts List**

Reference Number	Description	Part Number For Models:			Quantity
		5ML68A (4 Ton)	5ML69A (5 Ton)	5ML70A (10 Ton)	
1	* Power Unit	G240701	G6510S-01	G6610S-01	1
2	Saddle	G240702	G2501S-12	G6610S-02	1
3	Front Wheel Assembly	G240703	G2501S-13	G6610S-03	2
4	Handle Set	G240704	G6510S-04	G6610S-04	1
5	Rear Caster	G240705	G6510S-05	G6610S-05	2
6	Oil plug/ Vent plug	G240706	G6510S-06	G6510S-06	1
7	Return Spring	G240707	G6510S-07	G6610S-07	1
8	Release Valve Cable	G240708	G6510S-08	G6510S-08	1
9	Piston Links	G240709	G6510S-09	G6610S-09	1
10	Greasing Nipple	G240710	G2501S-11	G2501S-11	1
11	Foot Pedal	G240711	G2501S-15	G2501S-15	1

(\* ) No repair parts available for power unit.

# Westward® Hydraulic Quick Lifting Jacks

---

## LIMITED WARRANTY

**WESTWARD ONE-YEAR LIMITED WARRANTY.** *Hydraulic Quick Lifting Jacks*, Model covered in this manual, are warranted by Westward to the original user against defects in workmanship or materials under normal use for one year after date of purchase. Any part which is determined to be defective in material or workmanship and returned to an authorized service location, as Westward designates, shipping costs prepaid, will be, as the exclusive remedy, repaired or replaced at Westward's option. For limited warranty claim procedures, see **PROMPT DISPOSITION** below. This limited warranty gives purchasers specific legal rights which vary from jurisdiction to jurisdiction.

**LIMITATION OF LIABILITY.** To the extent allowable under applicable law, Westward's liability for consequential and incidental damages is expressly disclaimed. Westward's liability in all events is limited to and shall not exceed the purchase price paid.

**WARRANTY DISCLAIMER.** Westward has made a diligent effort to provide product information and illustrate the products in this literature accurately; however, such information and illustrations are for the sole purpose of identification, and do not express or imply a warranty that the products are merchantable, or fit for a particular purpose, or that the products will necessarily conform to the illustrations or descriptions.

Except as provided below, no warranty or affirmation of fact, expressed or implied, other than as stated in the "LIMITED WARRANTY" above is made or authorized by Westward.

**PRODUCT SUITABILITY.** Many jurisdictions have codes and regulations governing sales, construction, installation, and/or use of products for certain purposes, which may vary from those in neighboring areas. While Westward attempts to assure that its products comply with such codes, it cannot guarantee compliance, and cannot be responsible for how the product is installed or used. Before purchase and use of a product, review the product applications, and all applicable national and local codes and regulations, and be sure that the product, installation, and use will comply with them.

Certain aspects of disclaimers are not applicable to consumer products; e.g., (a) some jurisdictions do not allow the exclusion or limitation of incidental or consequential damages, so the above limitation or exclusion may not apply to you; (b) also, some jurisdictions do not allow a limitation on how long an implied warranty lasts, consequentially the above limitation may not apply to you; and (c) by law, during the period of this Limited Warranty, any implied warranties of implied merchantability or fitness for a particular purpose applicable to consumer products purchased by consumers, may not be excluded or otherwise disclaimed.

**PROMPT DISPOSITION.** Westward will make a good faith effort for prompt correction or other adjustment with respect to any product which proves to be defective within limited warranty. For any product believed to be defective within limited warranty, first write or call dealer from whom the product was purchased. Dealer will give additional directions. If unable to resolve satisfactorily, write to Westward at address below, giving dealer's name, address, date, and number of dealer's invoice, and describing the nature of the defect. Title and risk of loss pass to buyer on delivery to common carrier. If product was damaged in transit to you, file claim with carrier.

**Manufactured for Grainger International, 100 Grainger Pkwy., Lake Forest, Illinois 60045 U.S.A.**

