



PARTS SHEET  
MODEL 5-48  
CAPACITY 3000 LBS.  
FEBRUARY 15, 1963

SS-621

## WALKER MODEL 48

### OPERATING INSTRUCTIONS

1. Upon receiving Jack, open release valve and pump handle several times. This will eliminate any airbound condition that may have occurred during shipment.
2. To raise Jack, close release valve and operate pump handle.
3. To lower, open release valve.

### FAILURE TO OPERATE

1. Release may not be completely closed.
2. Air-bound - See instruction No. 1.
3. Foreign matter in valve line - Repeat instruction No. 1.
4. Too much oil - Lower to filler screw level.
5. Interior parts may be worn allowing oil to bypass. Contact nearest franchised service depot.

### MAINTENANCE INSTRUCTIONS

1. To add oil remove D-6106 pipe plug. With lifting arm lowered, fill to pipe plug level. Use recommended hydraulic oil only.
2. Keep moving parts clean and well lubricated.

### TO REMOVE POWER UNIT

1. Remove D-7674 Roll at front of Ram.
2. Remove D-8208, Power Unit Strap, and D-8210 Screws.
3. Remove 10-10758 Screw at rear of Power Unit.
4. Remove four (4) D-8279 Head Head Cap Screws.

### TO ORDER PARTS

Order parts from your franchised service depots by part number, giving complete name of part.

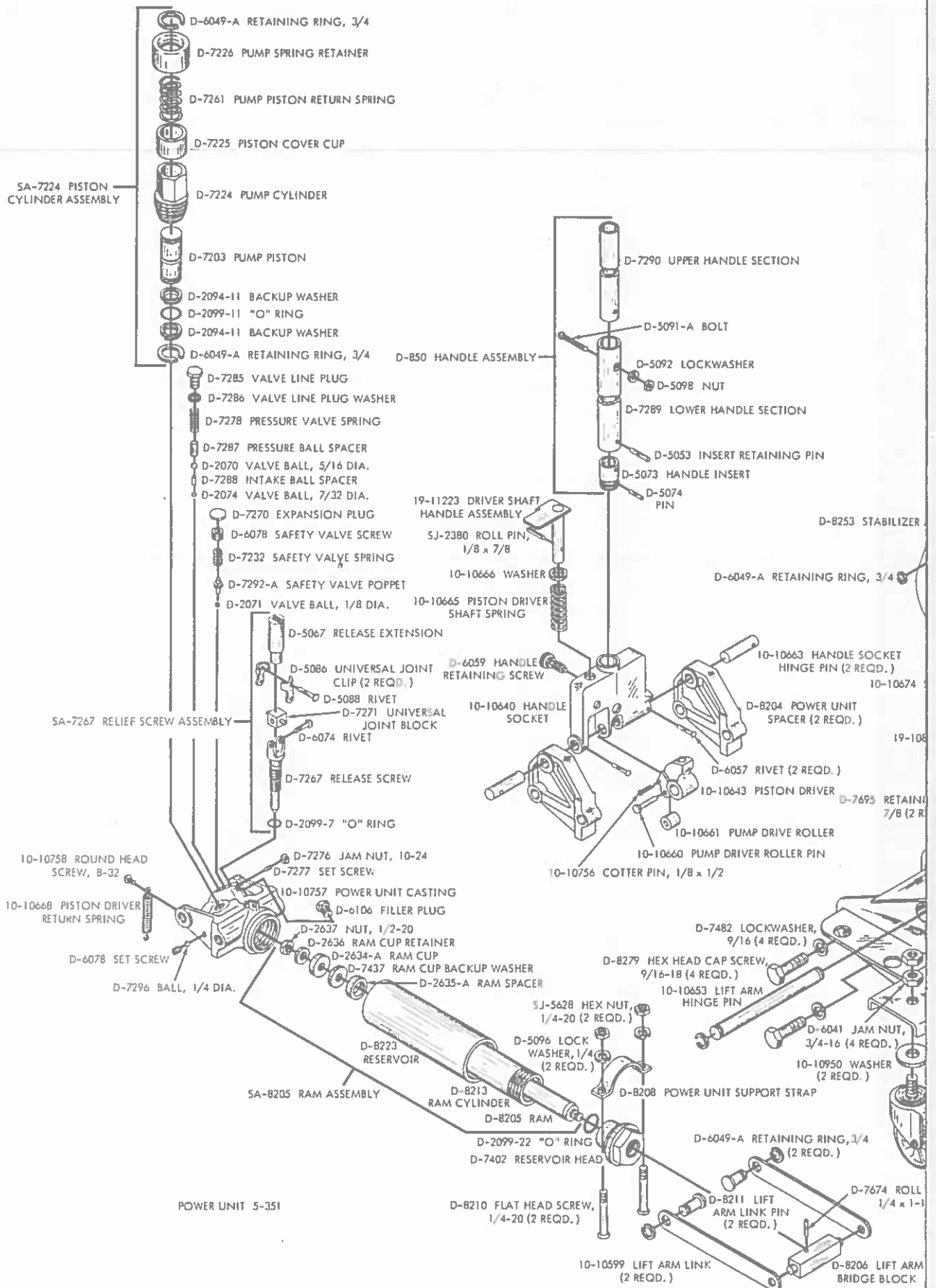
Repair Kit is Number 5-550.

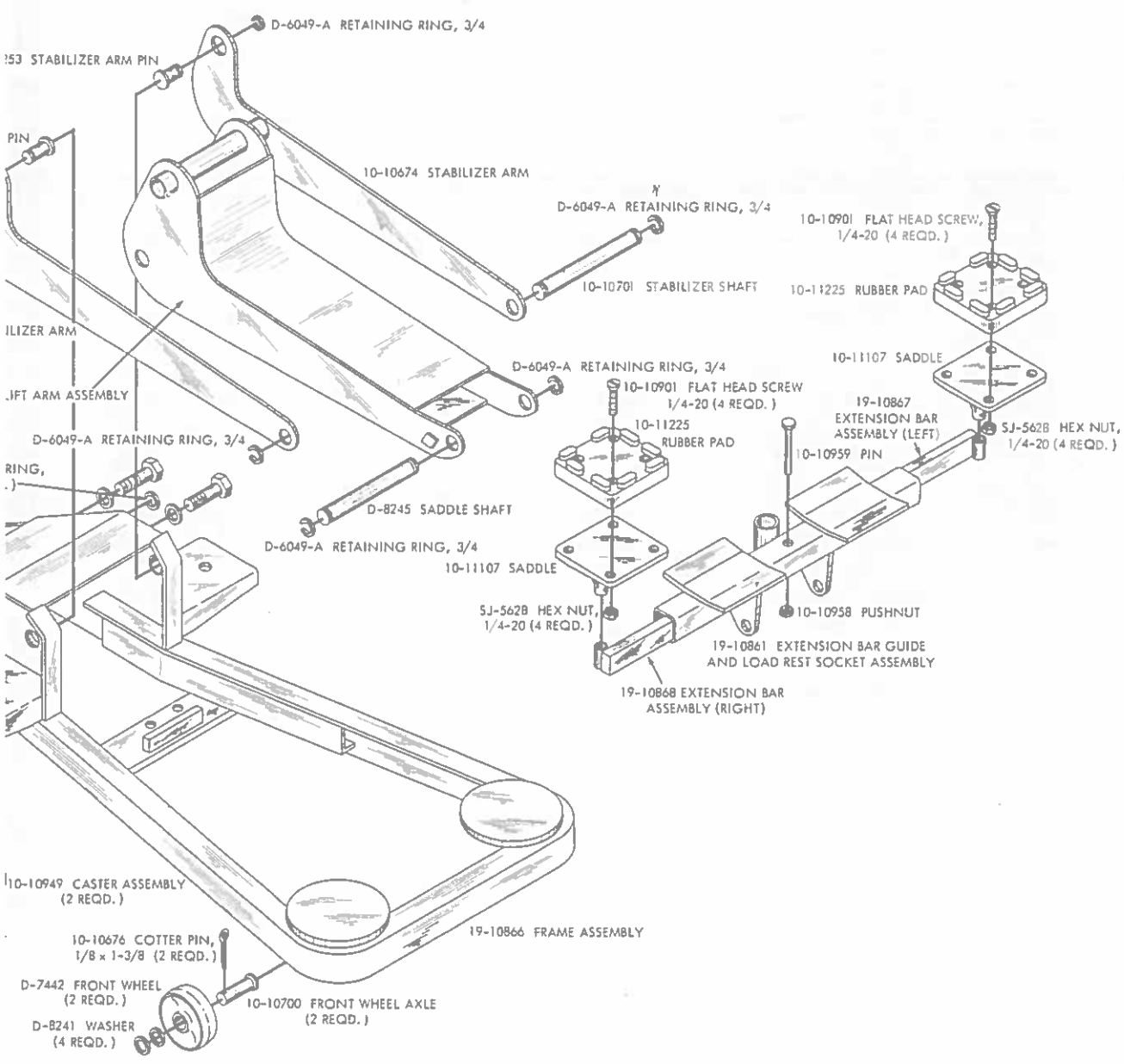
### WARRANTY

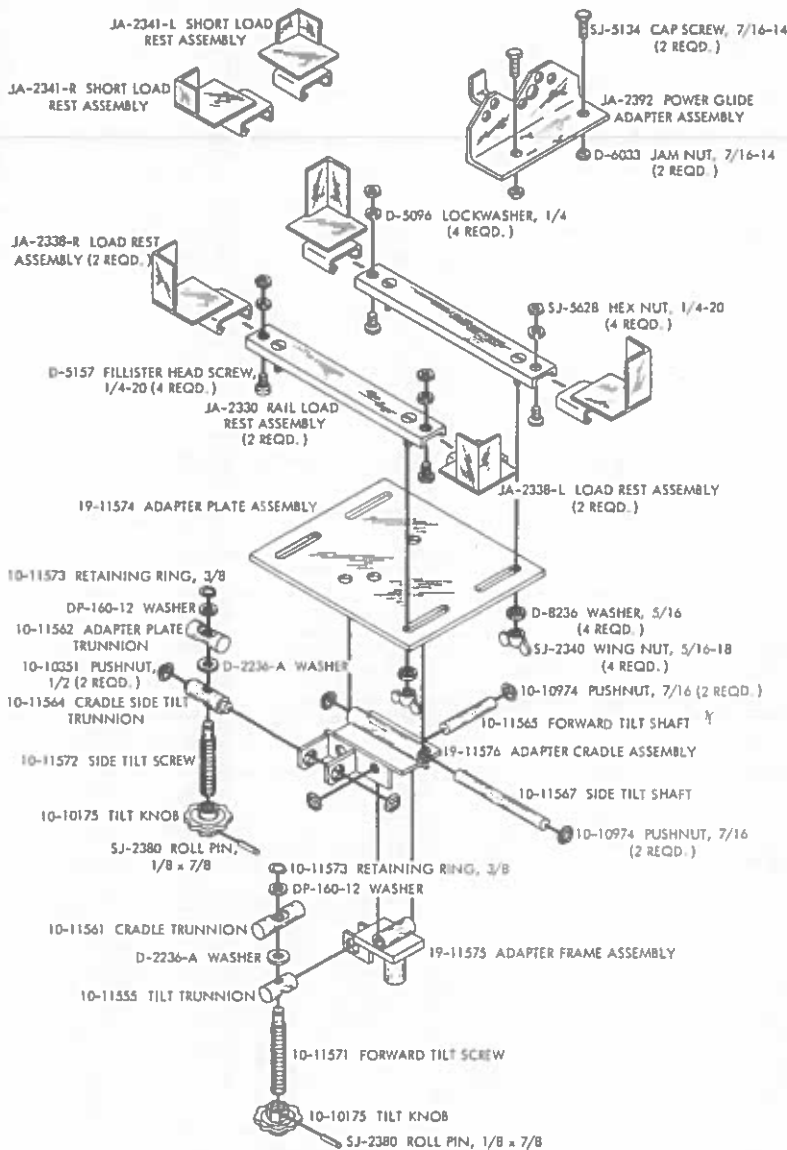
These Jacks are fully guaranteed against defective material and workmanship when submitted or shipped prepaid to the nearest franchised service depot or the factory, ninety days from the date of delivery to the user. This warranty does not cover jacks that have been altered or attachments added to them which are not recommended by the manufacturer. The use of hydraulic brake or shock absorber fluid, alcohol, Kerosene or other deleterious fluids voids this warranty as does improper use of jacks through overloading or any other abusive practice or accident.

## **EDGEWATER AUTOMOTIVE DIVISION**

**St. Joseph, Michigan**







NO. 5-348 TRANSMISSION ADAPTER

### ASSEMBLY INSTRUCTIONS

Place Adapter in socket extension located in center of Bar Tube.

To assemble Load Rest to Rails, remove Bolt from one end of Rail, slide Load Rests on Rail and replace Bolt, making sure that Nuts are on topside of Rail. Place Rails on Adapter Plate and secure with Wing Nuts.

### LUBRICATION

For ease of operation and added service life, frequently lubricate Tilt Adjusting Screws, Shafts, and Bushings.

### OPERATING INSTRUCTIONS

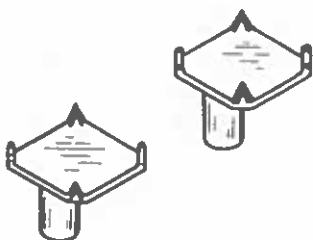
With Car in raised position, remove Linkages and most of attaching Bolts on Transmission. Engage Transmission firmly with Adapter, making sure Adapter is as parallel as possible with Transmission Pan or Case. Adjust Load Rests to Transmission and tighten Wing Nuts firmly. Remove remaining Attaching Bolts and remove Transmission.

A pair of Short Load Rests are provided for use on Sloped Transmissions. When necessary to use these, remove Standard Load Rests from Rails and replace with Short Load Rests.

To use Powerglide Adapter, remove Rails from Adapter Plate and secure as shown with Capscrews and Nuts provided. Remove Two Bolts from Transmission Case, engage Transmission with Adapter, replace Bolts, attaching Adapter to Transmission.

It is advisable to lower Transmission slowly. This should be done for safety.

When dollying Transmission with Jack, Transmission MUST be down.



NO. 5-349 FRAME SADDLES



NO. 5-350 DIFFERENTIAL SADDLE

DO NOT ATTEMPT TO LIFT CAR WITH TRANSMISSION HANDLER