

REPLACEMENT PARTS

ITEM	DESCRIPTION	PART NO.				ITEM	DESCRIPTION	PART NO.			
		FC5268	FC5277	FC5278	FC5279			FC5268	FC5277	FC5278	FC5279
1	Upper Channel Assy	FC5185-6				23	Auxiliary Adapter	FC579			
2	Lower Channel Assy	FC5185-40	FC5277-2	FC5277-2	FC5277-2	24	3/16" x 1 3/4" Spirol Pin	6 Req'd			
3	R.H. Sliding Adapter	FC5185-10				25	Stop Bolt	FC576			
4	L.H. Sliding Adapter	FC5185-7				26	Clip	FC5141-16			
5	Link Weld Assembly	FC5185-19				27	#10-32 PHMS x 1/4" Lg. & Washer	1 Ea. Req'd			
6	Strut Assembly	FC5185-14				28	Retainer	FC5185-69			
7	Sleeve Assembly	FC5141-1				29	Pump	FC5185-53	FC5185-53	FC5270-1	FC5185-53
8	Hydraulic Cylinder	FC5185-20				30	Hose	FC5110			
9	Latch Assembly	FC5141-2				31	Elbow	FC5163-2			
10	Spring	FC5141-15				32	5/16" - 18NC HHCS CD PLT x 3/4" Lg.	2 Req'd			
11	Pin	FC5141-12				33	5/16" - 18NC Hex Nut	2 Req'd			
12	Waldes #5304-37, 3/8" Klpring	2 Req'd				34	5/16" L.W.				
13	Upper Axle	FC5185-23				35	Pin	FC5185-9			
14	Lower Axle	FC5185-21				36	Guard	FC5144-1			
15	Roller	FC5185-51				37	Elbow Adapter	FC5185-45			
16	Axle	FC67-29H				38	Retainer	FC5270-22	FC5124-2	FC5124-2	FC5124-2
17	Washer	FC5277-20				39	3/8" - 16NC HHCS x 3/4" & LW	**2 Req'd	2 Req'd	2 Req'd	2 Req'd
18	Lower Shaft	FC5185-4				40	Teles. End Section	N / A	FC5277-5	FC5277-5	FC5277-5
19	Upper Shaft	FC5181-5				41	Inner Guide	FC67-28H			
20	Slider	FC5185-68				42	Spring	FC5277-10			
21	Slider	FC5185-67				43	1/4" x 1" Lg. Spirol Pin	N/A	4 Req'd	4 Req'd	4 Req'd
22	Auxiliary Adapter	FC5108									

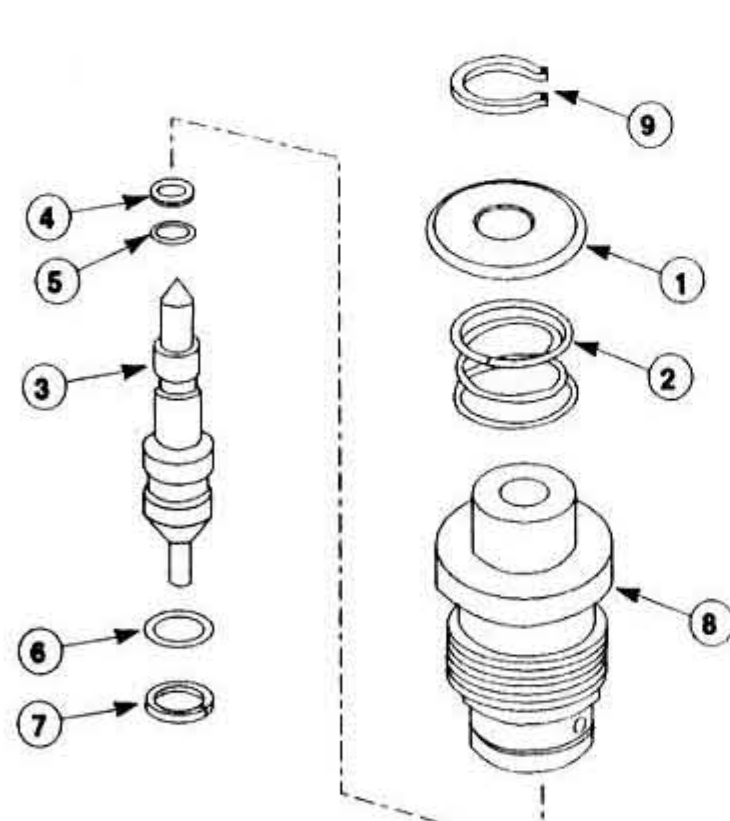


FIG. A RELEASE PLUNGER ASSEMBLY

ITEM NO.	DESCRIPTION	PART NO.
1	Washer, Spring	DA3407.108
2	Spring	CB960.110
3	Plunger, Release	DA3417.040
4	Washer, Back-Up	B1006.564
5	O-Ring	B1001.503
6	O-Ring	B1003.503
7	Washer, Back-Up	B1008.564
8	Guide, Release	CL252.013
9	Retaining Ring	DA3355.049

FIG. B COUPLER ASSEMBLY

ITEM NO.	DESCRIPTION	PART NO.
1	Body, Coupler	DA657.416
2	Washer, Back-Up	B1014.565
3	O-Ring	B1220.503
4	Spring	CA978.110

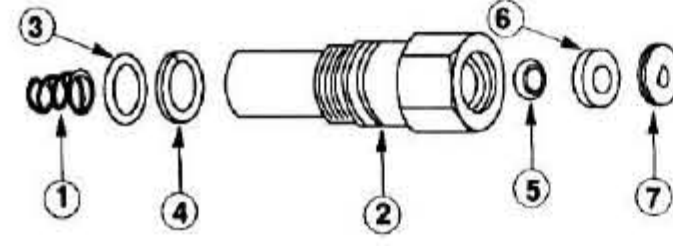
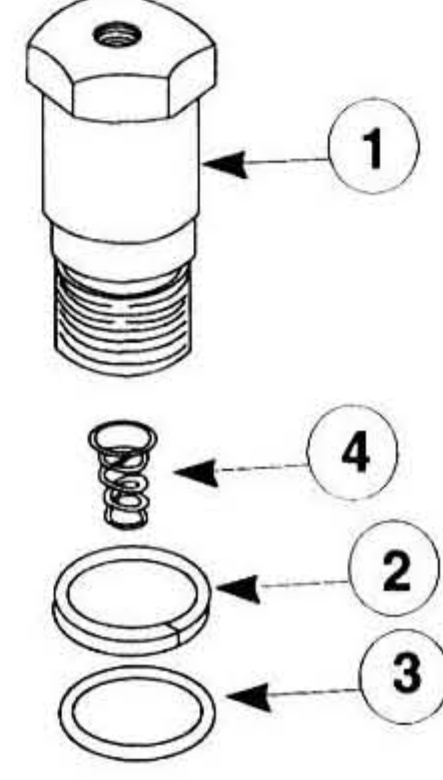
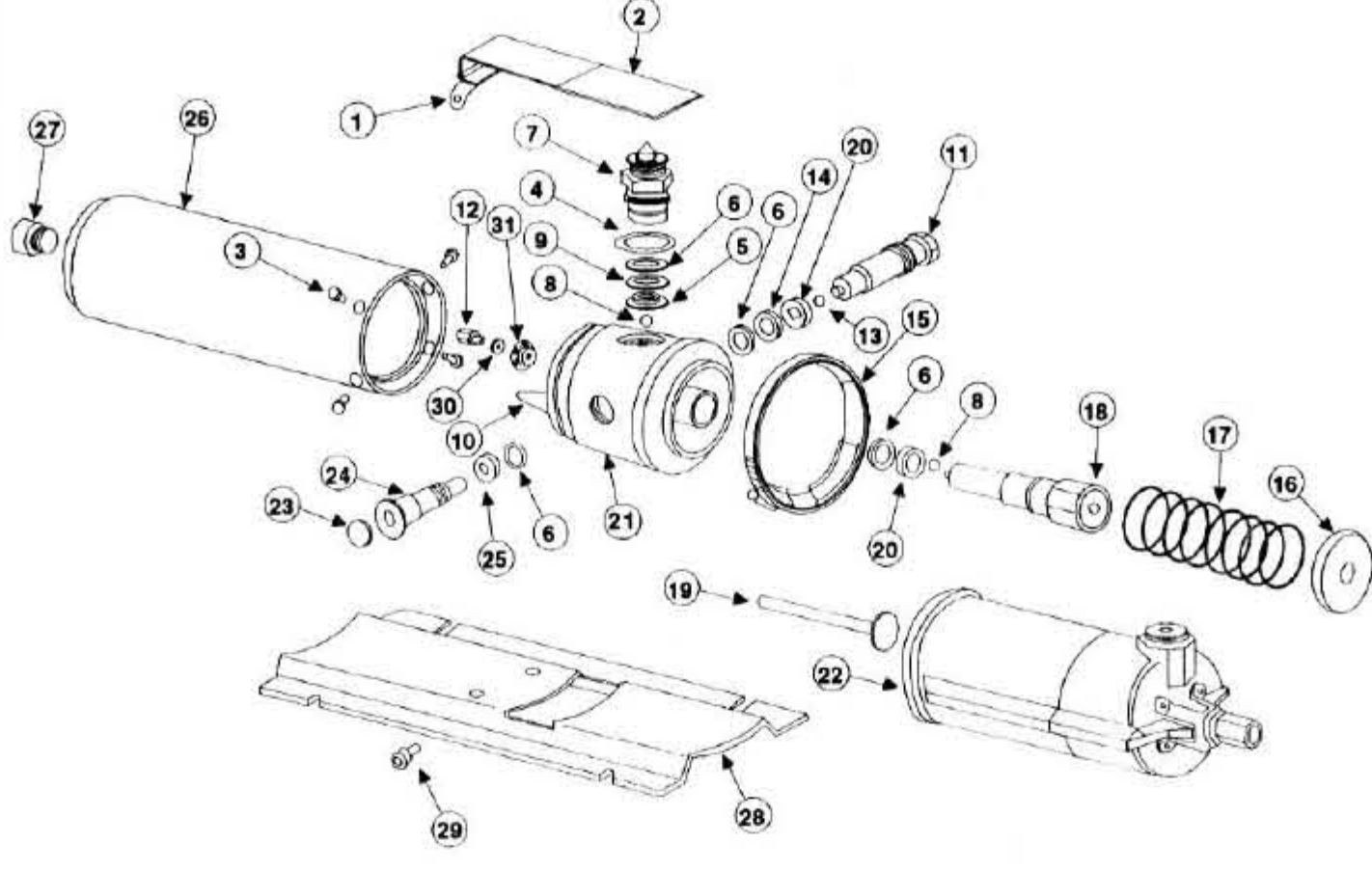


FIG. C HYDRAULIC CYLINDER ASSEMBLY

ITEM NO.	DESCRIPTION	PART NO.
1	Spring	CK53.110
2	Cylinder	CJ610.030
3	O-Ring	B1221.503
4	Washer, Back-Up	B1015.565
5	U-Cup	CB916.041
6	Bearing	CB624.108
7	Retainer, Bearing	DA1204.044



AIR / HYDRAULIC PUMP REPLACEMENT PARTS

ITEM NO.	DESCRIPTION	PART NO.	ITEM NO.	DESCRIPTION	PART NO.
1	Lever	FC5163-4	17	Spring	CH210.110
2	Cover	FC5163-3	18	Hyd. Cyl. Assy (See Fig C)	CH203.950
3	Screw	CF318.028	19	Plunger	CB180.040
4	O-Ring	B1118.903	20	Seat, Ball	CH814.290
5	Seat, Ball	CB581.290	21	Hydraulic Body Assembly (See Fig D)	DA584.950
6	Gasket	P200.37	22	Air Motor Assy (See Fig F)	DA658.900
7	Rel. Plunger Assy (See Fig A)	DA3419.900	23	Plug, Safety Valve	B161.272
8	Ball (.219 Dia.)	B1006.016	24	Relief Valve Assy (See Fig E)	CH207.950
9	Gasket	CL344.167	25	Seat, Ball	CB576.290
10	Filter	CB981.018	26	Reservoir Assy	CF180.900
11	Coupler Assy (See Fig B)	(See Fig B)	27	Reservoir Cap Assy	CL164.950
12	Baffle	DA1870.298	28	Base	CB108.005
13	Ball (.250 Dia.)	B1007.016	29	Capscrew	B1320.028
14	Guide, Ball	CH411.013	30	Office Screw	A8008.048
15	'V' Retaining Ring	CB219.044	31	Screen	A8038.018
16	Washer	A8009.108			

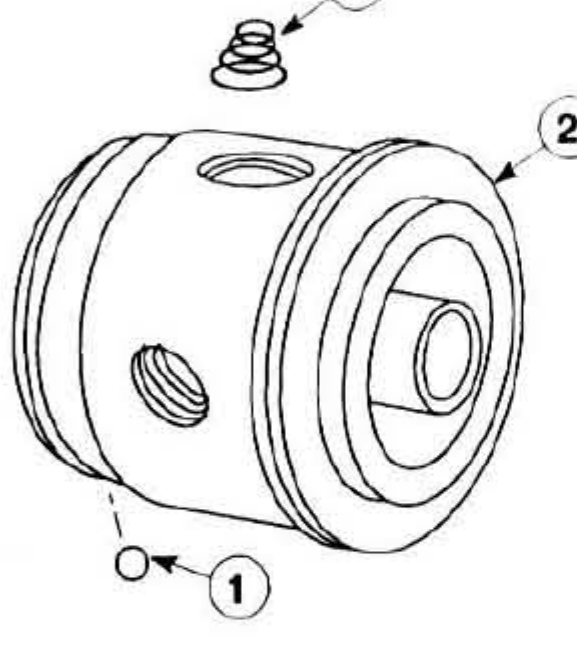


FIG. E RELIEF VALVE ASSEMBLY

ITEM NO.	DESCRIPTION	PART NO.
1	Plug	A8005.007
2	Spring	A8035.110
3	O-Ring	B1003.503
4	O-Ring	B1220.503
5	Body, Relief Valve	CB580.190
6	Setscrew (Nyloc)	L86.028
7	Guide, Ball	CH180.950

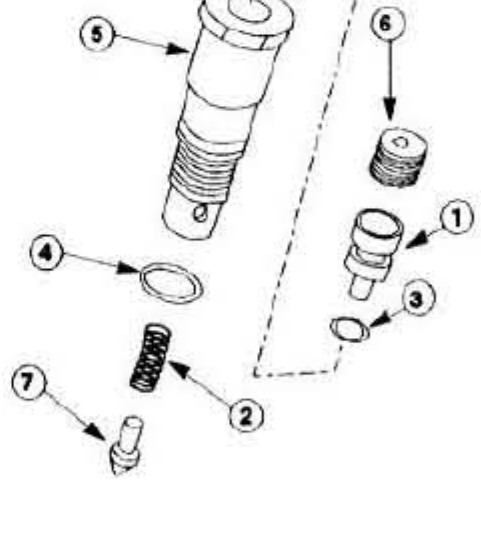


FIG. D HYDRAULIC BODY ASSEMBLY

ITEM NO.	DESCRIPTION	PART NO.
1	Ball	B1006.016
2	Body	DA653.190
3	Spring	CH813.110

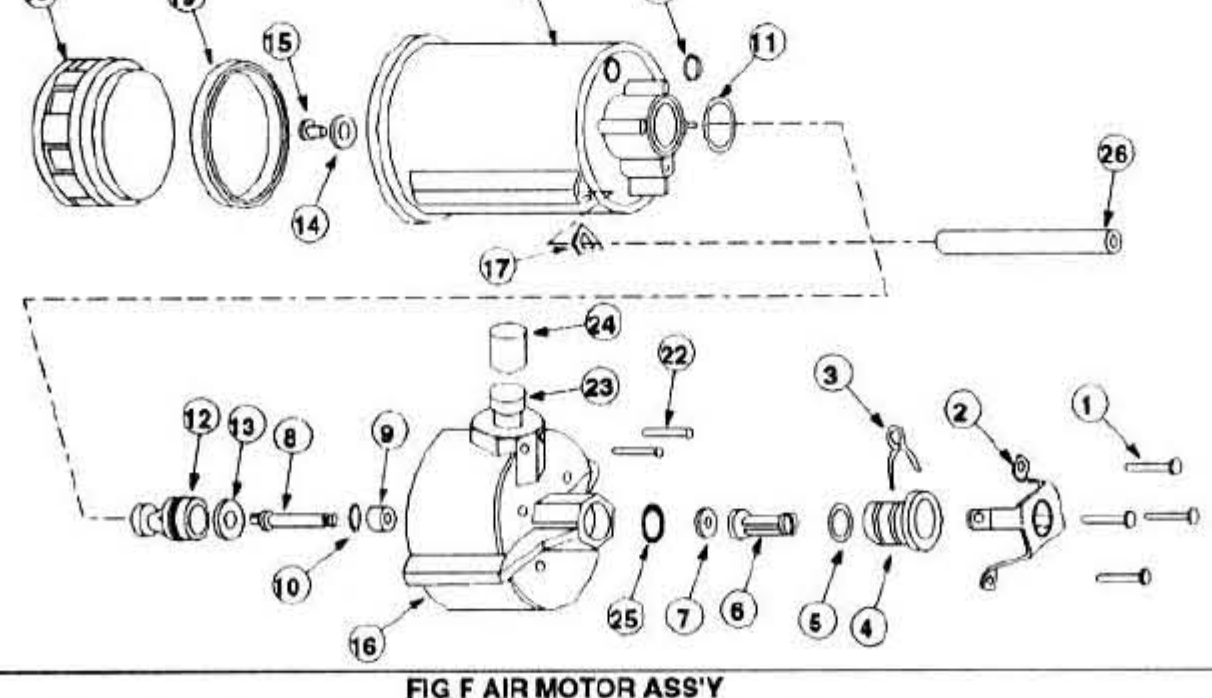


FIG. F AIR MOTOR ASS'Y

ITEM NO.	DESCRIPTION	PART NO.	ITEM NO.	DESCRIPTION	PART NO.
1	Cap Screw, Button Hd.	CR50.028	14	Seal, Washer	CB644.108
2	Cover, Retaining	CH49.098	15	Screw, Pan Hd.	CF157.028
3	Ring, Retaining	CH50.044	16	Cover	CR500.098
4	Coupler Assembly	CL163.950	17	Seal, Cover	CB919.041
5	O-Ring	B1220.503	18	Air Piston Assembly	CK354.950
6	Filter	CB256.018	19	U-Cup	CB808.041
7	Grommet	DA3455.808	20	Cylinder	CR499.030
8	Plunger, Poppet	CH45.040	21	O-Ring	B1004.503
9	Bushing	CH79.039	22	Pin, Spring	B1040.057
10	O-Ring	B1001.503	23	Piston Poppet Sub Assembly	DA348.900
11	O-Ring	B1228.503	24	Rubber Boot	A8093.098
12	Piston Assembly	CK353.950	25	O-Ring	DA3776.503
13	Quad Ring	CM322.041	26	Tube	CA1204.268