



Repair Parts Sheet

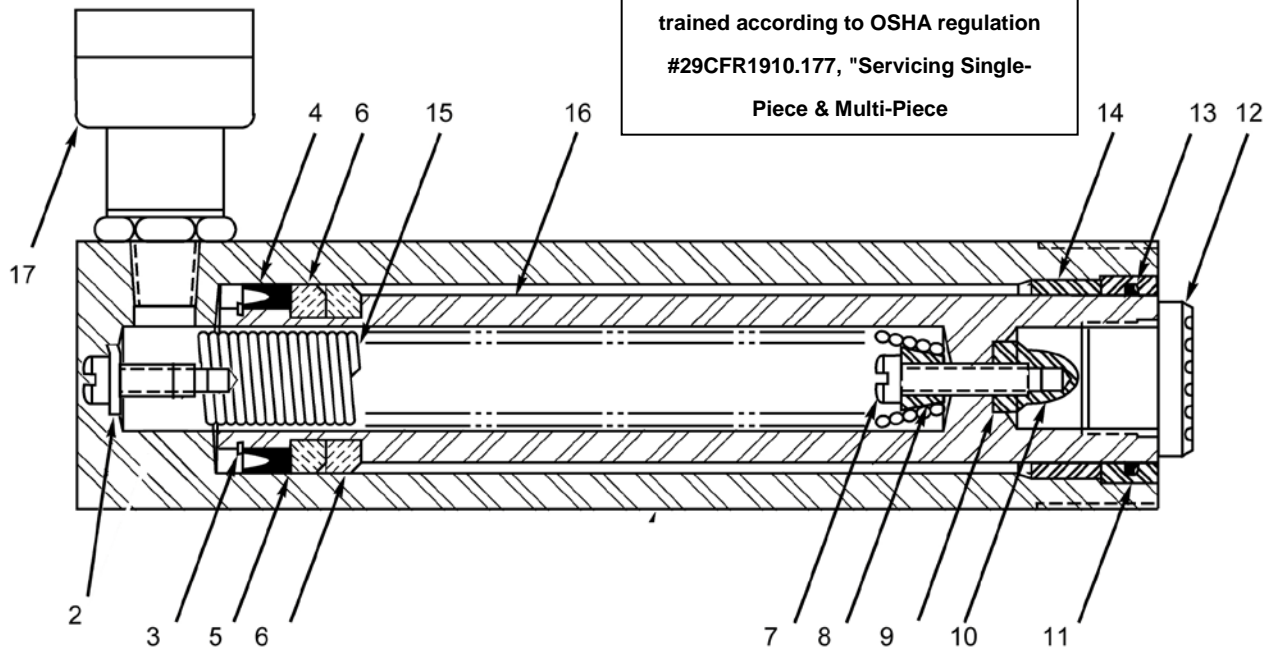
10887,10888,10889,10891

Rev. 0609

INSTALL ALL KIT COMPONENTS TO INSURE A COMPLETE AND PROPER REPAIR OF THE CYLINDER.

▲ CAUTION

This product, and all tire tools, should be used only by persons properly trained according to OSHA regulation #29CFR1910.177, "Servicing Single-Piece & Multi-Piece



Note: Rod bearings (Item 6) to be assembled with splits staggered 90° apart.

Note: Model 10888 do not have a Bushing, Gasket, Acorn Nut or Bearing Sleeve due to their lower stroke. These models have only one set of Rod Bearings.

Note: Cylinder Base, Item #1, is not available as a service item. Order complete cylinder.

SPECIFICATIONS

Description	10887	10888	10889	10891
Rated Capacity	10 Ton	10 Ton	10 Ton	10 Ton
Plunger Stroke	21/8 Inch	4	6 1/4"	10 1/4 Inch
Hydraulic Pressure	10,000 psi	10,000 psi	10,000 psi	10,000 psi





Repair Parts Sheet

10887, 10888, 10889, 10891

Repair Parts Sheet

Item No.	10887	10888	10889	10891	Qty.	Description
2	*	*	*	*	1	Screw 1/4-28 UNF X 1"
3	*	*	*	*	1	Retaining Ring
4	*	*	*	*	1	U-Cup
5	*	*	*	*	1	Washer
6	G382107 (1)	G382107 (1)	G382107	G382107	2	Rod Bearing
7	DA2286028	DA2286028	(See Note A)	(See Note A)	1	Screw
8	Not Required	F948209	F948209	1	Bushing
9	*	*	1	Gasket
10	G833055	G833055	1	Acorn Nut
11	G385044		G385044	G385044	1	Bearing Stop Ring
12	A102G		A102G	A102G	1	Saddle Assembly
13	*	*	*	*	1	Wiper
14	G831446	G831446	1	Bearing Sleeve
15	L202110SR	CB425110SR	F937110SR	F938110SR	1	Spring (incl. item 7,8,9,10)
16	DA2283040	DA2284040	G838040	G830040	1	Plunger
17	10606	10606	10606	10606	1	Half Coupler
	CD-411	CD-411	CD-411	CD-411	1	Dust Cap (not shown)

Note A: 10891 uses a 1/4-28 UNF X 1 1/4 long.

Indicates items included in, and available only as part of Repair Kit RC102K.