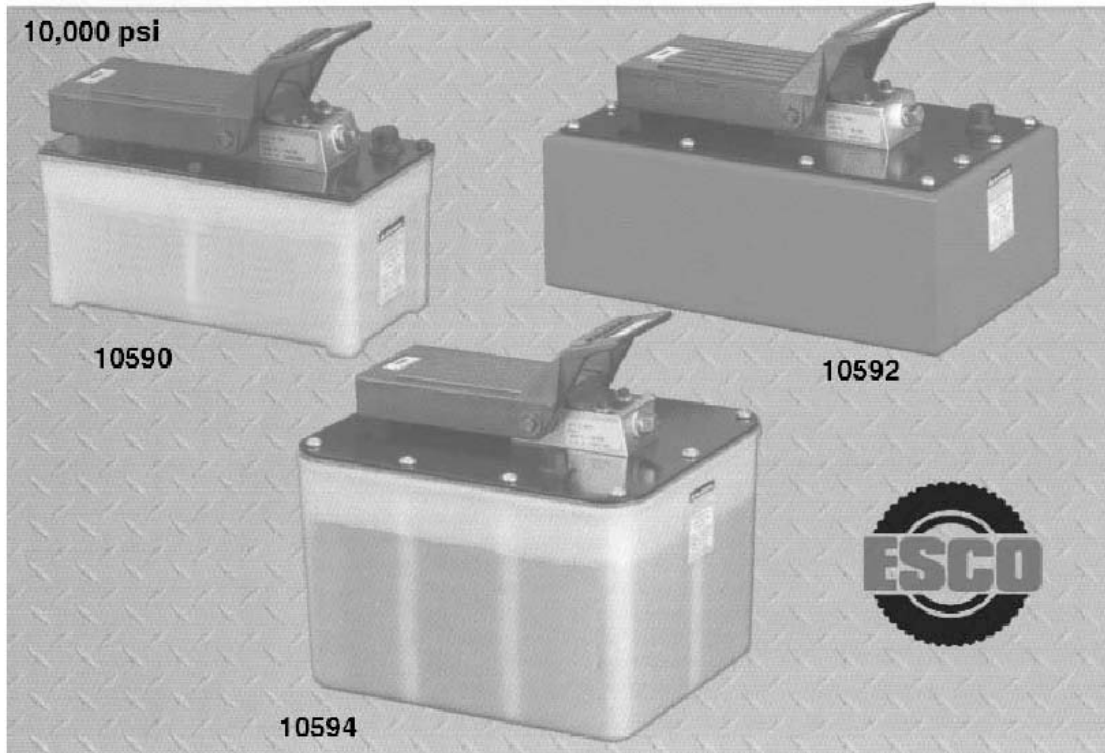




Parts List For

Air Hydraulic Pump

Model 10590, 10592, 10594



AIR HYDRAULIC PUMP

IMPORTANT RECEIVING INFORMATION

Visually inspect all parts for shipping damage. If you find shipping damage, notify the carrier at once. Shipping damage is not covered by your warranty. The carrier is responsible for all costs of replacement or repair caused by shipping damage.

CONTENTS

Parts List for 10590, 10592, 10594
Instructions for retainer replacement



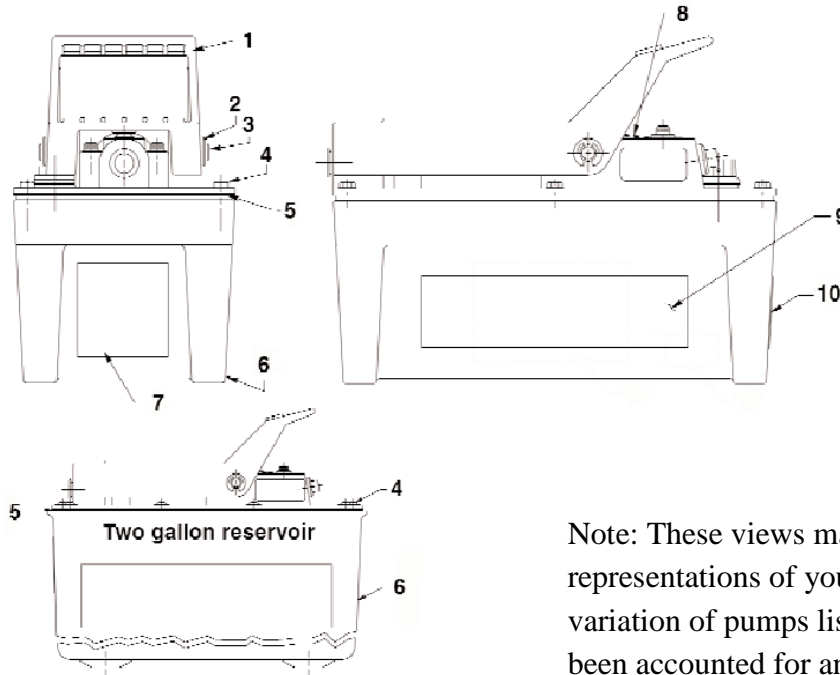


Parts List For

Air Hydraulic Pump

Model 10590, 10592, 10594

AIR HYDRAULIC PUMP



Note: These views may not be exact representations of your pump due to the variation of pumps listed, but all parts have been accounted for and are in this parts list.

Item No.	Part No.	No. Req'd	Description
1	41322	1	Foot Pedal
2	*11032	2	Retaining Ring
3	28386	1	Pin
4	211060	6	Screw(#9-15 X 1" Lg.; Torque to 25/35 in. lbs.; For 10590)
	252168	10	Screw (Torque to 35/45 in. lbs.; For 10594)
5	*33853	1	Reservoir Gasket (For 10590)
	*46271	1	Reservoir Gasket (For 10592)
	*47409	1	Reservoir Gasket (For 10594)
6	61243	1	Reservoir (Plastic; For 10590)
	64153OR9	1	Reservoir (For 10592)
	61165	1	Reservoir (2 gal. plastic; For 10594)

Item No.	Part No.	No. Req'd	Description
7	*305494	1	Decal (For 10592, 10594)
8	302466	1	Spring Clip
9	260154	1	Trade Name Decal
10	251762	1	Warning Decal

PARTS INCLUDED BUT NOT SHOWN

211060	4	Screw (#9-15 X 1" Lg.; Torque to 25/35 in. lbs.; For pump mounting purposes only; For 10590)
252168	4	Screw (1/4-10 X 1 Lg.; For pump mtg. purposes only; For 10594)

Part numbers marked with an asterisk () are contained in a Repair Kit see sheet 5 of 6 for individual repair kit information.*



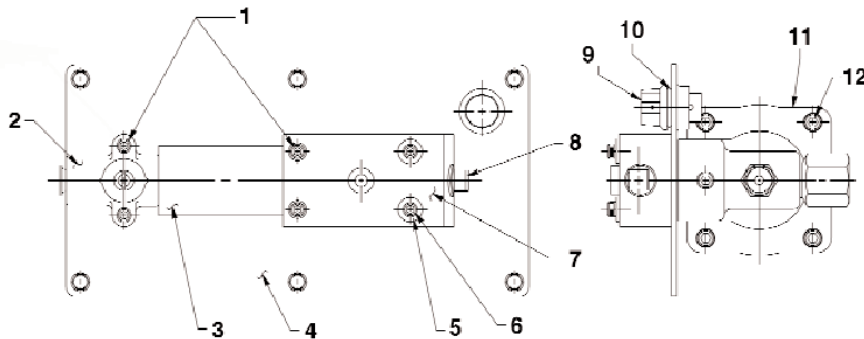


Parts List For

Air Hydraulic Pump Model 10590, 10592, 10594

TOP & END VIEWS

Note: These views may not be exact representations of your pump due to the variation of pumps listed, but all parts have been accounted for and are in this parts list.



Item No.	Part No.	No. Req'd	Description	Item No.	Part No.	No. Req'd	Description
1	11151	4	Cap Screw (10-24 UNC X 1-1/4 Lg.; Torque to 50/60 in. lbs.;	10	*10273	1	O-ring (13/16 X 5/8 X 3/32; Nitrile)
2	37199	1	Intake Air Valve Body	11	64767	1	Pump Body
3	*29992	1	Foam Tube	12	17428	4	Soc. Hd. Cap Screw (1/4-20 UNC X 3-1/2 Lg.; Torque to 85/95 in. lbs. oiled. Note: Cross torque in increments of 30 in. lbs.)
4	420965BK2	1	Cover Plate (For 10590)				Relief Valve (When ordering a replacement relief valve refer to stamped number on the outside of the relief valve. See note below. Apply loctite 592 or equiv. & torque to 150/170 in. lbs.)
	58688BK2	1	Cover Plate (For 10592)				
	58706BK2	1	Cover Plate (For 10594)				
5	11089	2	Washer (#10 bolt)				
6	11435	2	Soc. Hd. Cap Screw (10-24 UNC x				
7	58563	1	Release Valve Body				
8	11127	1	Pressure Plug (3/8 NPTF)				
9	251689	1	Breather/Filler Cap				

NOTE: Standard relief valves are set at 10,100/10,700 PSI. Relief valves pre-set at special settings are available. Refer to your pump model number.

Refer to operating instructions Form No. 103544 for detailed information about operation, testing, disassembly, reassembly, and preventive maintenance.





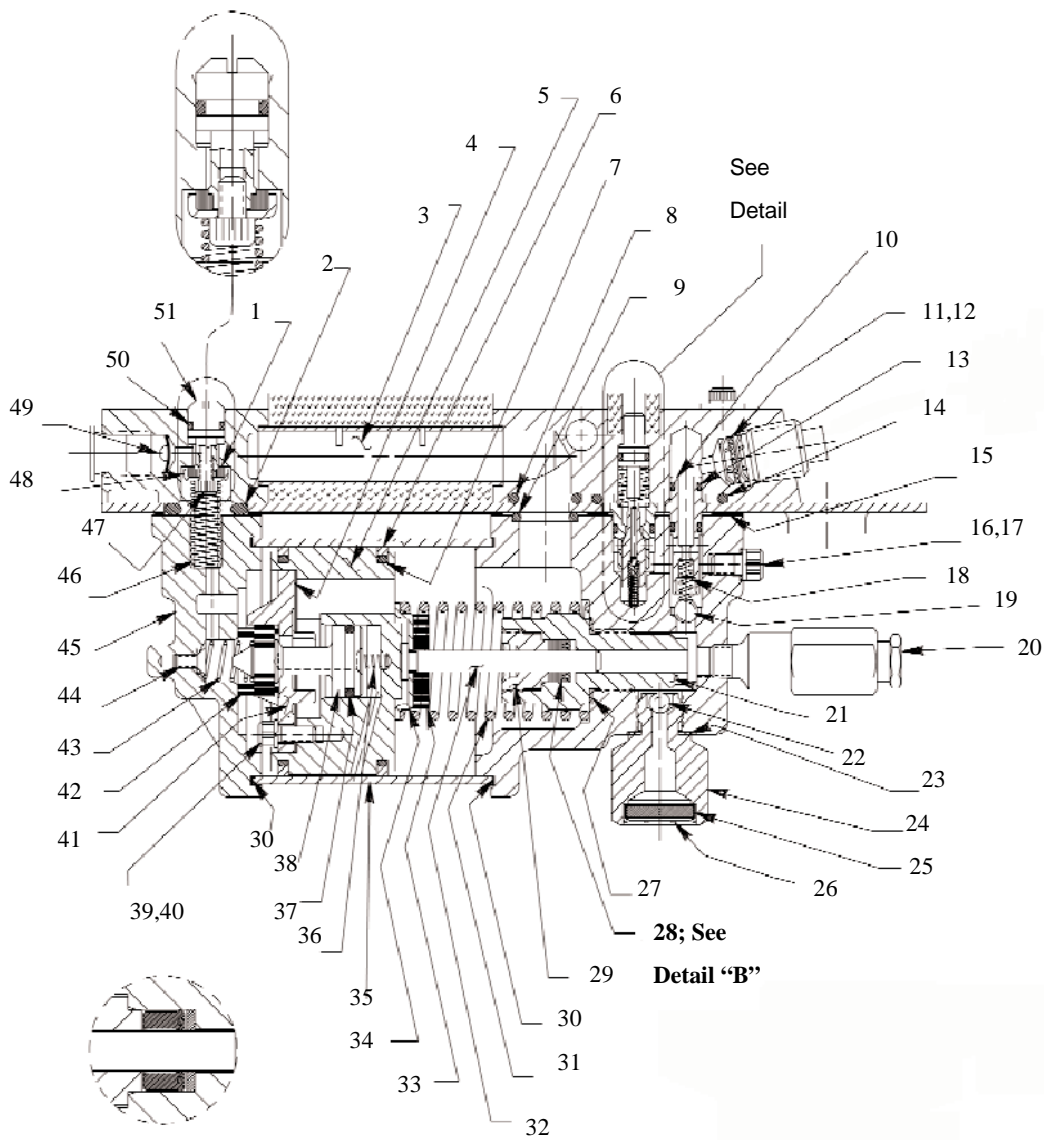
Parts List For

Air Hydraulic Pump

Model 10590, 10592, 10594

BASIC PUMP ASSEMBLY

Note: These views may not be exact representations of your pump due to the variation of pumps listed, but all parts have been accounted for and are in this parts list.



DETAIL "B"





Parts List For

Air Hydraulic Pump Model 10590, 10592, 10594

BASIC PUMP ASSEMBLY

1	*28182	1	Air Valve Poppet	26	214586	1	Retaining Ring (Internal; For all reservoir sizes except 2 gal. Reservoirs built after June 1, 1998)
2	*251717	1	O-ring (1" x 5/8 x 3/16)	27	*10263	1	Copper Washer (1" X .765 X 1/32)
3	28387	1	Muffler	28	*13934	1	U-cup & Backup
4	*28239	1	Gasket	29	*304295	1	Retainer (Note:See "INSTRUCTIONS FOR RETAINER REPLACEMENT" sheet 6 of 6)
5	52390	1	Piston Body	30	*17429	2	Backup Washer (2-15/16 X 2-3/4 X .045)
6	*14265	2	Piston Ring	31	*13938	1	Compression Spring (1.452 O.D. X 4-7/16 Lg.)
7	*251835	2	O-ring (2-5/16 x 2-1/8 x 3/32)	32	28226	1	Piston
8	*10276	1	O-ring (1" X 3/4 X 1/8)	33	203143	1	Bumper
9	*10272	1	O-ring (3/4 X 9/16 X 3/32)	34	210994	1	Spring Guide
10	34378	1	Check Valve Body	35	37434	1	Air Cylinder (Note: Locate groove on upper half (top) of pump with chamfered tube end towards rear head as shown.)
11	*250638	1	Filter Disc	36	*12692	1	Compression Spring (3/16 O.D. X 1-11/16 Lg.)
12	*11088	2	Retaining Ring (9/16 hole)	37	*211052	1	O-ring (.900 X .706 X .097)
13	*12522	2	O-ring (3/8 X 1/4 X 1/16; Urethane)	38	305475	1	Exhaust Valve Stem
14	*11841	1	O-ring (1-5/8 x 1-3/8 x 1/8)	39	*10241	3	Lockwasher (For #10 bolt)
15	*351021	1	Gasket	40	211054	3	Screw (#10-24 X 1/2 Lg.; Torque to 50/55 in. lbs.)
16	*10442	1	Washer (3/8 X 1/4 X 1/32)	41	33822	1	Piston End Plate
17	10002	1	Cap Screw (1/4-20 UNC X 3/8 Lg.; Torque to 90/110 in. lbs.)	42	*28183	1	Piston Poppet
18	*10445	1	Compression Spring	43	*205679	1	Compression Spring (.485 O.D. X .915 Lg.)
19	*10423	1	Steel Ball (9/32 Dia.; For 10590, 10592)	44	*205674	1	Screw (8-32 UNC X 3/8 Lg.; Torque to 12/18 in. lbs.)
	*10423	2	Steel Ball (9/32 Dia.; For 10594)	45	51480	1	Rear Head
20	-----	-	Relief Valve (When ordering a replacement relief valve refer to stamped number on the outside of the relief valve. See note below. Apply loctite 592 or equiv. & torque to 150/170 in. lbs.)	46	12691	1	Compression Spring (3/8 O.D. X 1- 1/2 Lg.)
21	45278	1	Piston Cylinder (Torque to 90/100 ft. lbs. oiled.)	47	13936	1	Soc. Hd. Cap Screw (8-32 UNC X 1/4 Lg.)
22	*10375	1	Steel Ball (1/4 Dia.; For 10590, 10592)	48	28198	1	Seal Guide
23	*10261	1	Copper Washer (3/4 X 19/32 X 1/32)	49	*216296	1	Filter Disc
24	308893	1	Filter Adapter (Torque to 40/50 ft. lbs. oiled.; For 10590, 10592)See sheet 5 of 6 for pumps with 2 gal. reservoirs.)	50	*10267	1	O-ring (7/16 X 5/16 X 1/16)
25	214578	1	Filter (For all reservoir sizes except 2 gal. reservoirs built after June 1, 1998)				

Part numbers marked with an asterisk (*) are contained in a Repair Kit see sheet 5 of 6 for individual repair kit information.

NOTE: Standard relief valves are set at 10,100/10,700 PSI. Relief valves pre-set at special settings are available. Refer to your pump model number.





Parts List For

Air Hydraulic Pump Model 10590, 10592, 10594

BASIC PUMP ASSEMBLY

1	*28182	1	Air Valve Poppet	26	214586	1	Retaining Ring (Internal; For all reservoir sizes except 2 gal. Reservoirs built after June 1, 1998)
2	*251717	1	O-ring (1" x 5/8 x 3/16)	27	*10263	1	Copper Washer (1" X .765 X 1/32)
3	28387	1	Muffler	28	*13934	1	U-cup & Backup
4	*28239	1	Gasket	29	*304295	1	Retainer (Note:See "INSTRUCTIONS FOR RETAINER REPLACEMENT" sheet 6 of 6)
5	52390	1	Piston Body	30	*17429	2	Backup Washer (2-15/16 X 2-3/4 X .045)
6	*14265	2	Piston Ring	31	*13938	1	Compression Spring (1.452 O.D. X 4-7/16 Lg.)
7	*251835	2	O-ring (2-5/16 x 2-1/8 x 3/32)	32	28226	1	Piston
8	*10276	1	O-ring (1" X 3/4 X 1/8)	33	203143	1	Bumper
9	*10272	1	O-ring (3/4 X 9/16 X 3/32)	34	210994	1	Spring Guide
10	34378	1	Check Valve Body	35	37434	1	Air Cylinder (Note: Locate groove on upper half (top) of pump with chamfered tube end towards rear head as shown.)
11	*250638	1	Filter Disc	36	*12692	1	Compression Spring (3/16 O.D. X 1-11/16 Lg.)
12	*11088	2	Retaining Ring (9/16 hole)	37	*211052	1	O-ring (.900 X .706 X .097)
13	*12522	2	O-ring (3/8 X 1/4 X 1/16; Urethane)	38	305475	1	Exhaust Valve Stem
14	*11841	1	O-ring (1-5/8 x 1-3/8 x 1/8)	39	*10241	3	Lockwasher (For #10 bolt)
15	*351021	1	Gasket	40	211054	3	Screw (#10-24 X 1/2 Lg.; Torque to 50/55 in. lbs.)
16	*10442	1	Washer (3/8 X 1/4 X 1/32)	41	33822	1	Piston End Plate
17	10002	1	Cap Screw (1/4-20 UNC X 3/8 Lg.; Torque to 90/110 in. lbs.)	42	*28183	1	Piston Poppet
18	*10445	1	Compression Spring	43	*205679	1	Compression Spring (.485 O.D. X .915 Lg.)
19	*10423	1	Steel Ball (9/32 Dia.; For 10590, 10592)	44	*205674	1	Screw (8-32 UNC X 3/8 Lg.; Torque to 12/18 in. lbs.)
	*10423	2	Steel Ball (9/32 Dia.; For 10594)	45	51480	1	Rear Head
20	-----	-	Relief Valve (When ordering a replacement relief valve refer to stamped number on the outside of the relief valve. See note below. Apply loctite 592 or equiv. & torque to 150/170 in. lbs.)	46	12691	1	Compression Spring (3/8 O.D. X 1- 1/2 Lg.)
21	45278	1	Piston Cylinder (Torque to 90/100 ft. lbs. oiled.)	47	13936	1	Soc. Hd. Cap Screw (8-32 UNC X 1/4 Lg.)
22	*10375	1	Steel Ball (1/4 Dia.; For 10590, 10592)	48	28198	1	Seal Guide
23	*10261	1	Copper Washer (3/4 X 19/32 X 1/32)	49	*216296	1	Filter Disc
24	308893	1	Filter Adapter (Torque to 40/50 ft. lbs. oiled.; For 10590, 10592)See sheet 5 of 6 for pumps with 2 gal. reservoirs.)	50	*10267	1	O-ring (7/16 X 5/16 X 1/16)
25	214578	1	Filter (For all reservoir sizes except 2 gal. reservoirs built after June 1, 1998)				

Part numbers marked with an asterisk (*) are contained in a Repair Kit see sheet 5 of 6 for individual repair kit information.

NOTE: Standard relief valves are set at 10,100/10,700 PSI. Relief valves pre-set at special settings are available. Refer to your pump model number.



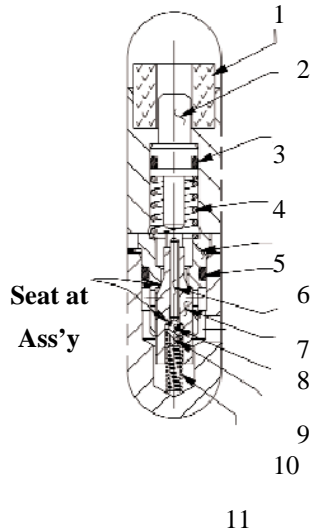


Parts List For

Air Hydraulic Pump

Model 10590, 10592, 10594

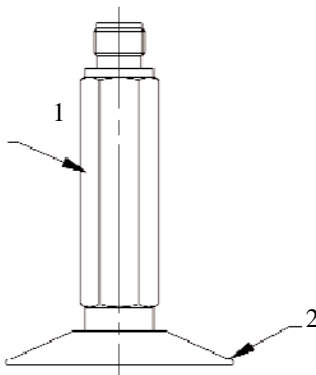
BASIC PUMP ASSEMBLY



Item No.	Part No.	No. Req'd	Description
1	*206504	1	Foam Tube
2	28227	1	Release Valve Button
3	*10266	1	O-ring (3/8 X 1/4 X 1/16)
4	*13944	1	Compression Spring (3/8 O.D. X 1/2 Lg.)
5	34377	1	Poppet Retainer
6	*15279	1	O-ring (1/2 X 3/8 X 1/16)
7	13937	1	Dowel Pin (Note: Place tapered end toward ball.)
8	29037	1	Release Valve Poppet
9	*14443	1	Steel Ball (3/32 Dia.)
10	209736	1	Ball Retainer
11	*13959	1	Compression Spring (1/8 O.D. x 1/2 Lg.)

Part numbers marked with an asterisk (*) are contained in a Repair Kit see below for individual repair kit numbers.

FILTER ADAPTER ASSEMBLY AFTER 6/1/98 For 2 Gallon Reservoirs Only (Reference Part Number 48007)



Item No.	Part No.	No. Req'd	Description
1	422016	1	Adapter Filter
2	29682	1	Filter

REPAIR KITS

No. 300805
10590

No. 300831
10592

No. 300848
10594





Parts List For

Air Hydraulic Pump Model 10590, 10592, 10594

INSTRUCTIONS FOR RETAINER REPLACEMENT

Your pump's retainer is locked into place by one of the following methods. Determine which method was used on your pump's retainer. Then follow the appropriate steps to remove the old and install and stake the new.

Method 1 – Retainer shows no sign of stake marks

1. This retainer has been locked in place with a Locite product. To replace it, a moderate amount of heat needs to be applied to the cylinder nut (in the area of the retainer) to soften the existing Locite allowing it to be removed.
2. Install the new retainer into the cylinder nut and torque to 80/100 in. lbs. **Note: Do not use a Locite product this time but stake the new retainer in place according to instructions in Step 3.**
3. To lock retainer into place, use a center punch positioned in the seam between the retainer and the cylinder nut and stake the new retainer in two places approximately 180° apart.

Method 2 – Retainer has two stake marks in the seam between the retainer and the cylinder nut.

1. For replacement of this retainer, the stake marks must be removed. Using 1/8" or larger diameter drill bit, remove the existing stakes by drilling a short distance into the stake marks. Remove the retainer.
2. Install the new retainer into the cylinder nut and torque to 80/100 lbs.
3. To lock retainer into place, use a center punch positioned in the seam between the retainer and the cylinder nut and stake the new retainer in two places approximately 180° apart.

NOTE: Do not stake in the old stake marks.

