

01925

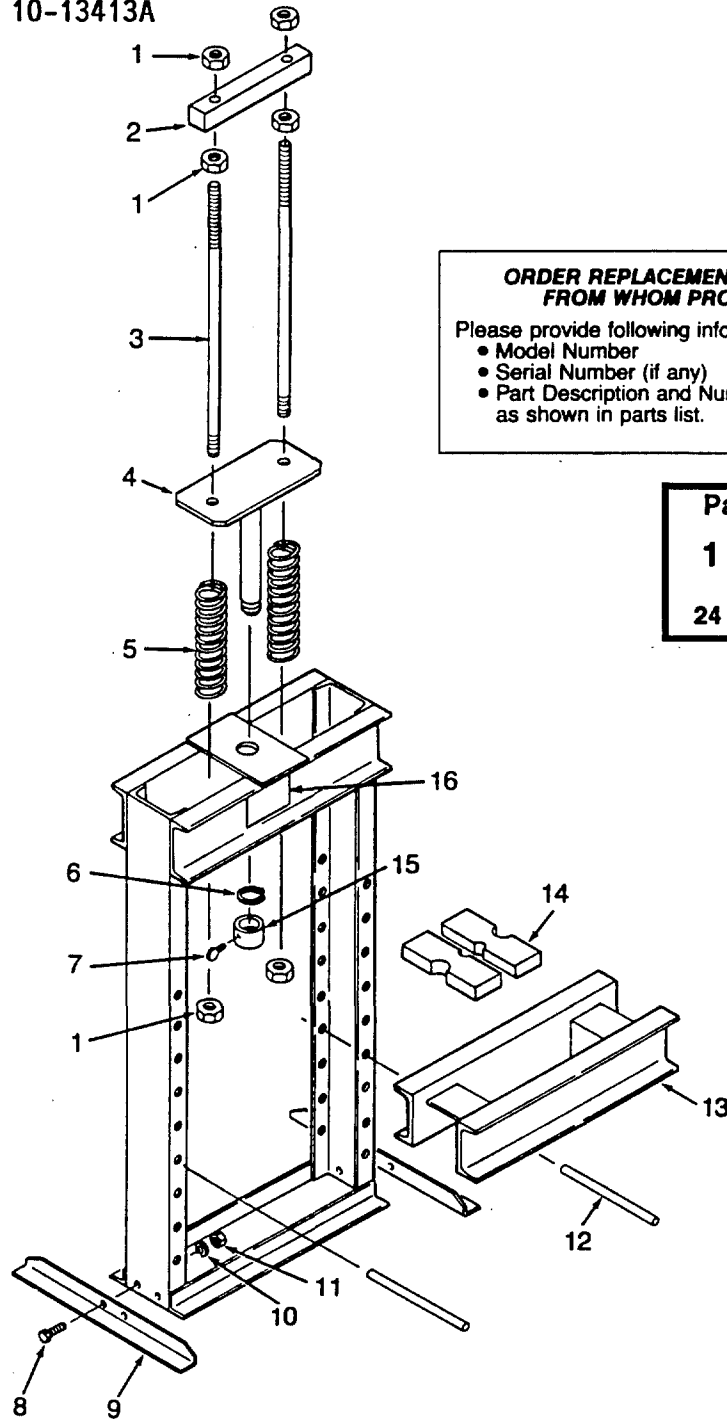
&
06919

Replacement Parts List for Model 3Z916

REF. NO.	PART NO.	DESCRIPTION	QTY.	REF. NO.	PART NO.	DESCRIPTION	QTY.
1	2-54728	1 1/4-12 Hex nut*	1	9	59303	Angle base	2
2	4-54726	Bridge block	1	10	6-6495	1/2" Lockwasher*	4
3	2-54724	Mounting stud	1	11	D-7297	1/2-13 Jam nut*	4
4	2-54727	Top plate assembly	1	12	D-54756	Adjusting pin (plated)	2
5	10-13413	Spring	1	13	59304	Press bed	1
6	2-54718	Retaining ring	1	14	59302	Arbor plate	2
7	2-50053	Thumbscrew	1	15	2-54720	Stud collar	1
8	D-6493	1/2-13 x 1 1/4" Capscrew*	4	16	70401	Nameplate	1

*Standard hardware item, available locally.

→ NEW PART NUMBER 10-13413A



ORDER REPLACEMENT PARTS THROUGH DEALER FROM WHOM PRODUCT WAS PURCHASED

Please provide following information:

- Model Number
- Serial Number (if any)
- Part Description and Number as shown in parts list.

If dealer cannot supply, order from:
Dayton Electric Mfg. Co.
Parts Department
5959 West Howard Street
Chicago, Illinois 60648

Parts Company of America
A Division of W.W. Grainger, Inc.
1-800-323-0620
or FAX 1-800-PCA-FAX1
24 hours a day, 365 days a year

Figure 5 — Replacement Parts Illustration