



OPERATING INSTRUCTIONS & PARTS LIST

REMOTE CONTROL HYDRAULIC JACK MODEL 2Z172 4-TON CAPACITY

FORM
5S1171

DAYTON ELECTRIC MANUFACTURING CO. CHICAGO 48

OCT. 1964

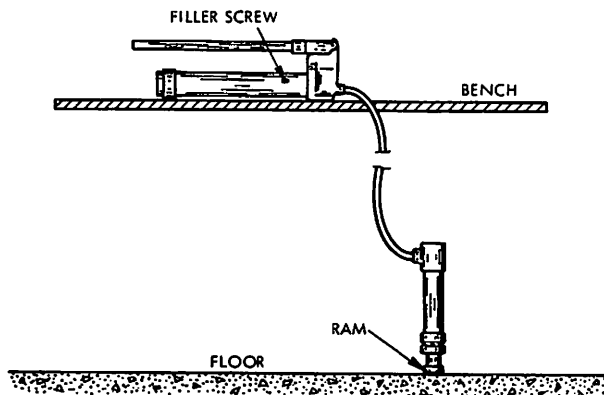
GENERAL INSTRUCTIONS

To assure long and dependable performance of your Hydraulic Tools, the following precautions should be observed:

1. Be sure that all units are wiped clean before and after using. A light grade of oil should be used on moving parts to prevent rusting and prolong life.
2. Load should be centered before applying pressure to prevent bending ram from sidestrain.
3. Make sure that all attachments are fully tightened.
4. When not in use, ram and pump piston should be fully retracted and release valve closed. Connecting openings to tools should be plugged to prevent entrance of foreign matter.
5. Refill only with recommended Hydraulic Jack Oil.

OPERATING INSTRUCTIONS

Attach hose from pump to ram and position as shown in illustration. Ram may be in either a horizontal or vertical position with connection up. Pump must be above level of ram as shown. Pump ram to fully extended position and release. Close release when ram is fully retracted and units are ready for use. Spreader should be positioned with connection up.



FAILURE TO OPERATE

There are times when one or more simple conditions exist that could prevent satisfactory operation of your power tools.

1. Airbound -- Extend and retract ram several times as shown under operating instructions.
2. Will not hold load -- (a) Release may not be tight enough. (b) Packing may be damaged and need replacing.
3. Foreign matter under valve balls or valves sticking -- See Airbound. If this action does not correct condition, oil should be drained, unit flushed with kerosene, and refilled. Valve balls and seats should be examined for defects.
4. Leakage -- Tighten packing nut at pump piston if leaking. Replace "V" packing set if leak continues. On rams or spreader, replace seals using repair kit listed below.

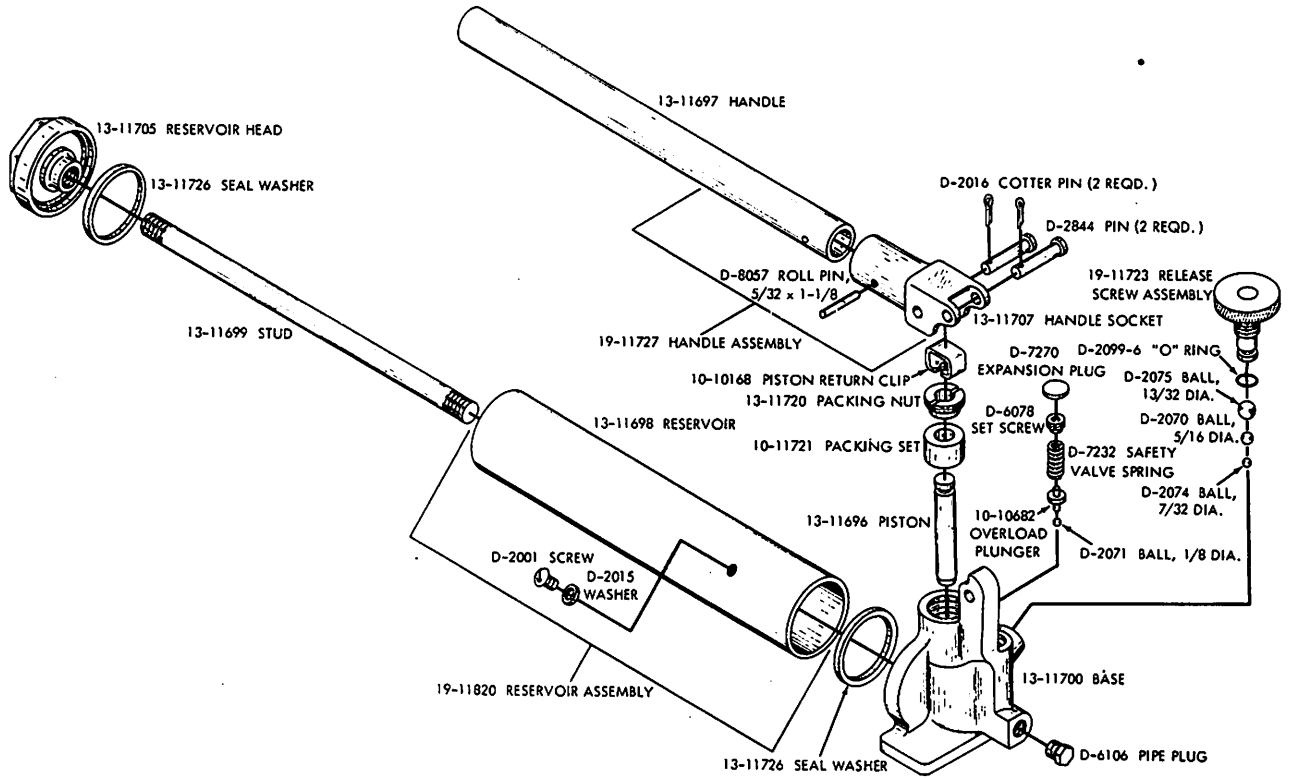
TO DISASSEMBLE RAM

1. Pump out and remove Roll Pin No. 10-11679.
2. Release pressure and allow ram to return.
3. Place unit in vise and pull out Ram Plug No. 13-11677.
4. Hold spring out and disconnect from Plug.
5. Remove -- Head No. 13-10982 and Ram No. 13-11673.
6. Replace worn parts and reassemble in reverse order.

REPAIR KITS:

Hand Pump	5-570
Ram	5-571

HAND PUMP - 2Z172



RAM - 2Z172

