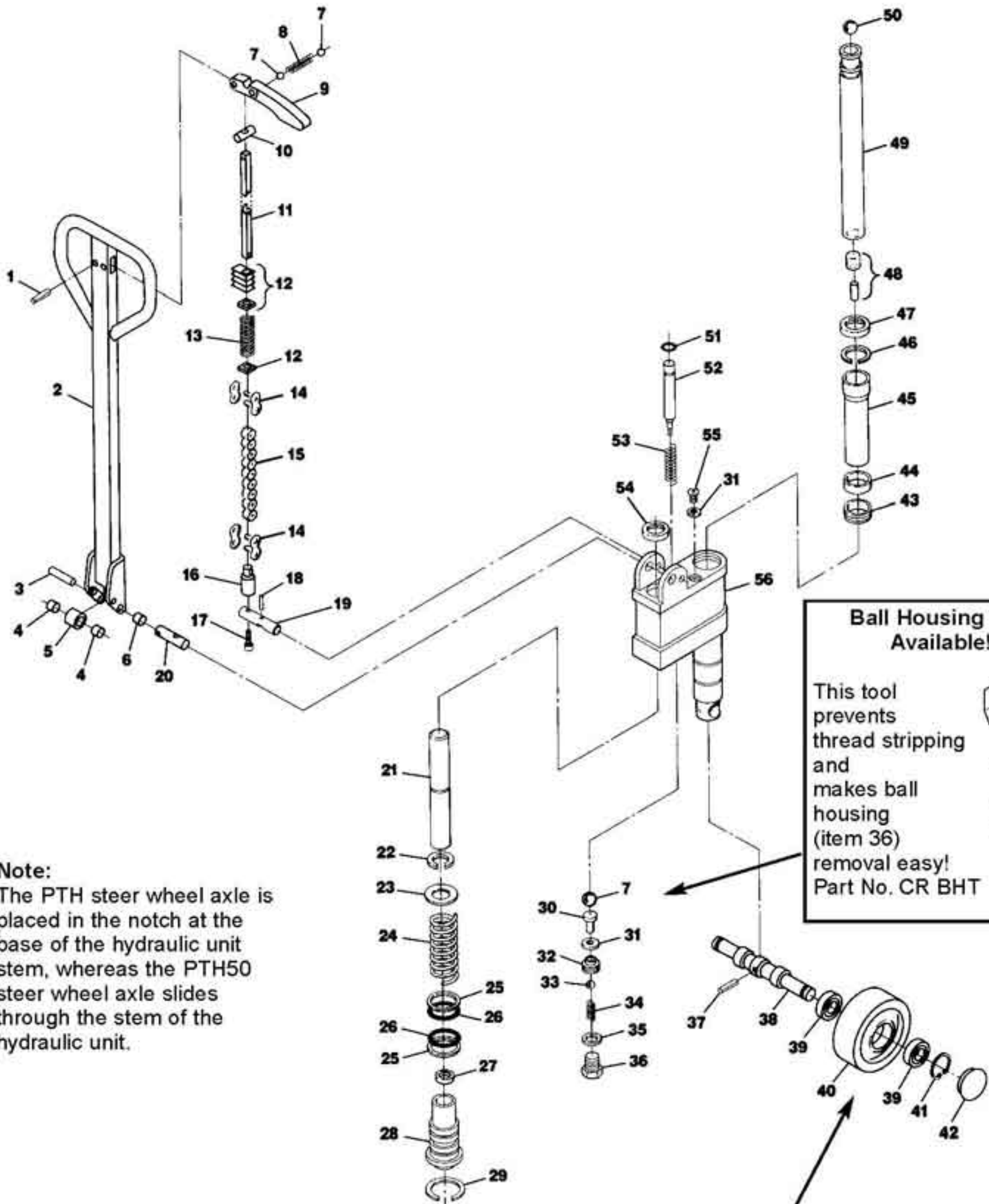


# Crown Newer PTH Hydraulic Unit

Serial # 3-183850 and higher



**Note:**  
The PTH steer wheel axle is placed in the notch at the base of the hydraulic unit stem, whereas the PTH50 steer wheel axle slides through the stem of the hydraulic unit.

**Ball Housing Tool Available!**

This tool prevents thread stripping and makes ball housing (item 36) removal easy!  
Part No. CR BHT



**Upgrade Your Steer Wheels!**  
Try our Aluminum Hub/Ultra-Poly Tread wheels.