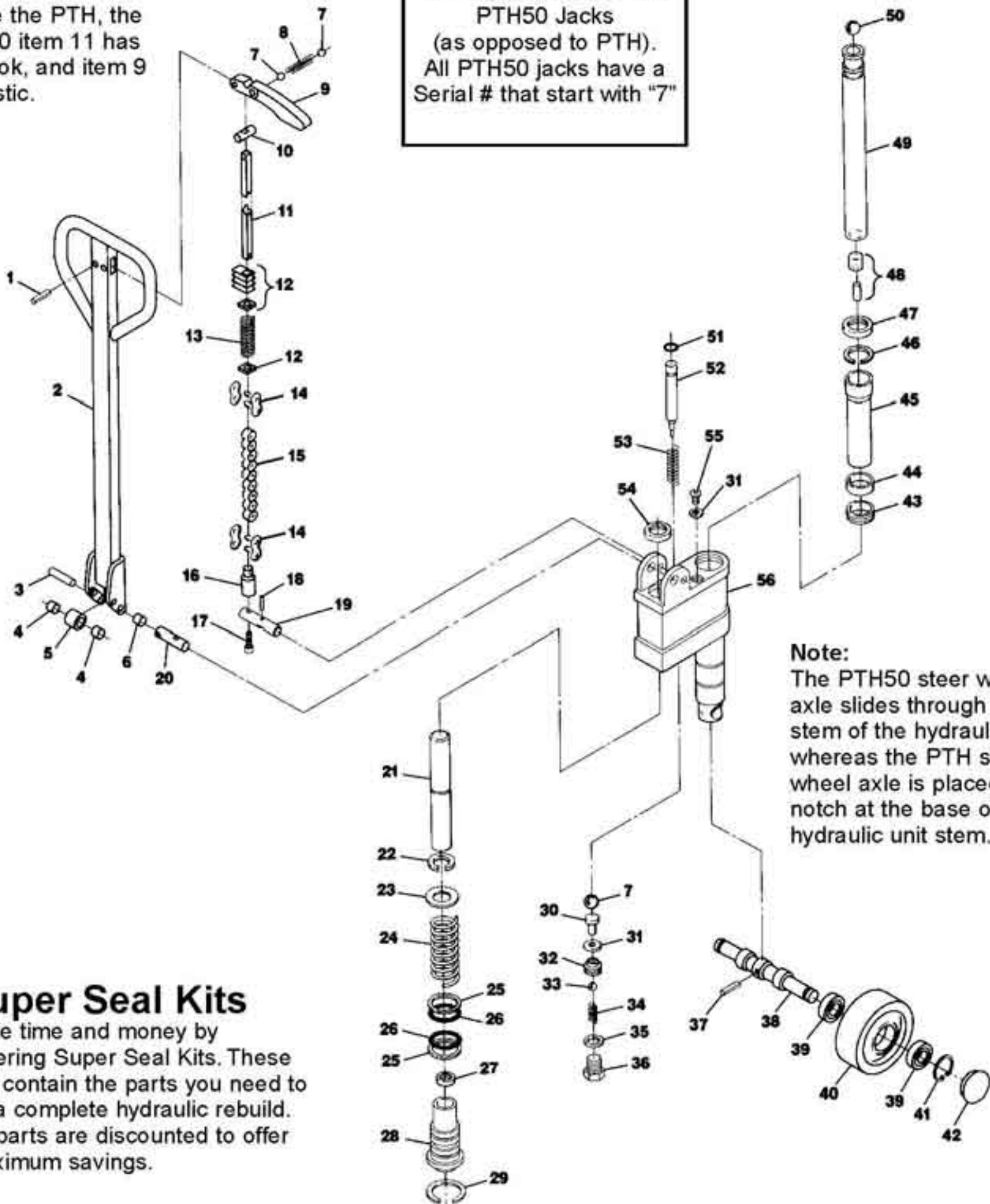


Crown PTH50 Hydraulic Unit

Note:
Unlike the PTH, the PTH50 item 11 has no hook, and item 9 is plastic.

The Easiest ID Point for PTH50 Jacks (as opposed to PTH). All PTH50 jacks have a Serial # that start with "7"



Note:
The PTH50 steer wheel axle slides through the stem of the hydraulic unit, whereas the PTH steer wheel axle is placed in the notch at the base of the hydraulic unit stem.

Super Seal Kits

Save time and money by ordering Super Seal Kits. These kits contain the parts you need to do a complete hydraulic rebuild. Kit parts are discounted to offer maximum savings.