

Operator's Manual

CRAFTSMAN®

3 Ton Service Jack

Model 48092

CUSTOMER HELP LINE

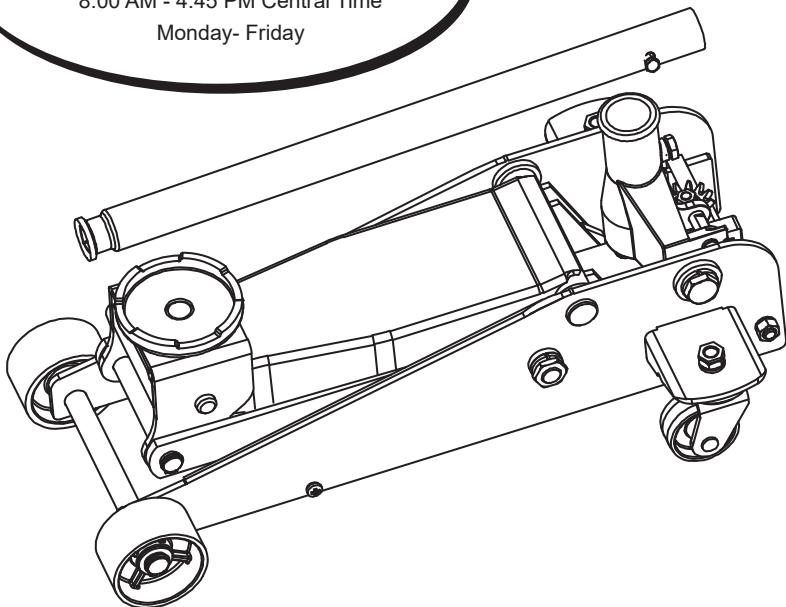


Parts and Questions

1-888-332-6419

8:00 AM - 4:45 PM Central Time

Monday- Friday



WARNING: Before using this product, read this Operator's Manual and follow all its Safety Rules and Operating Instructions.

- Safety
- Operation
- Maintenance

Sears Brands Management Corporation, Hoffman Estates, IL 60179 U.S.A.
www.craftsman.com

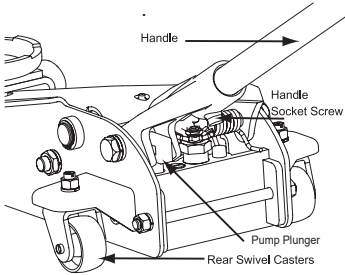
AIR PURGE PROCEDURE

IMPORTANT: BEFORE FIRST USE, perform the following Air Purge Procedure to remove any air that may have been introduced into the hydraulic system as a result of product shipment and handling.

1

Insert Handle

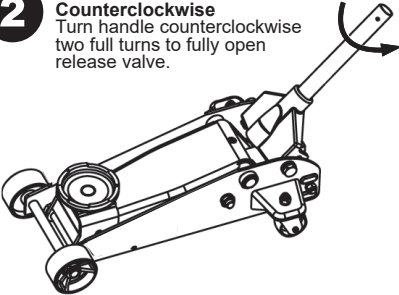
See "ASSEMBLY" on page 4 to assemble handle. Loosen handle socket screw. Insert end of handle into handle socket. Tighten screw.



2

Turn Handle Counterclockwise

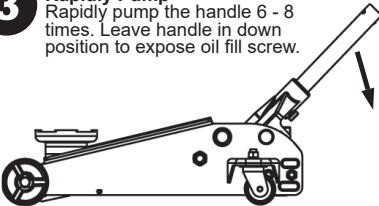
Turn handle counterclockwise two full turns to fully open release valve.



3

Rapidly Pump

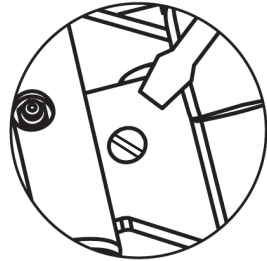
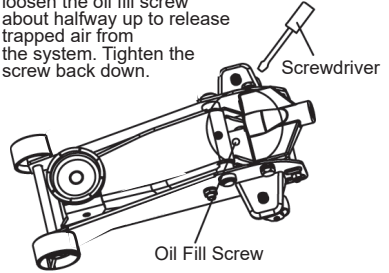
Rapidly pump the handle 6 - 8 times. Leave handle in down position to expose oil fill screw.



4

Purge Air

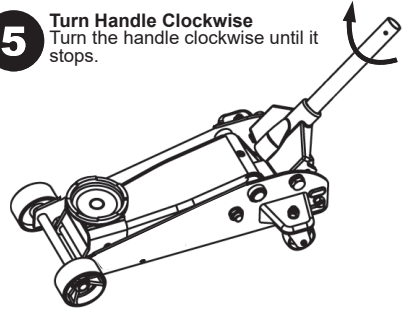
With a flat blade screwdriver, loosen the oil fill screw about halfway up to release trapped air from the system. Tighten the screw back down.



5

Turn Handle Clockwise

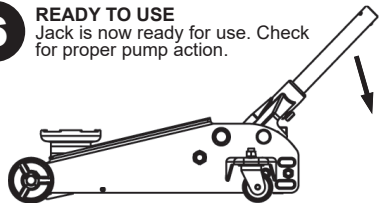
Turn the handle clockwise until it stops.



6

READY TO USE

Jack is now ready for use. Check for proper pump action.



CUSTOMER HELP LINE

Parts and Questions

1-888-332-6419

8:00 AM - 4:45 PM Central Time

Monday- Friday

NOTE: Repeat this Air Purge Procedure whenever the jack displays reduced lifting performance.

SAFETY INSTRUCTIONS

Read Operating Instructions

Study, understand and follow all instructions in this manual before operating the jack. Failure to heed these warnings may result in loss of load, damage to the jack and/or jack failure resulting in personal injury or property damage.

Position the Jack

This jack is designed only for lifting part of the total vehicle. Position the jack to only lift on the areas of the vehicle specified by the vehicle manufacturer.

Use Support Stands

After lifting the vehicle always support the load with appropriately rated vehicle support stands before working on the vehicle.

Do Not Overload Jack

Do not overload this jack beyond its rated capacity. Overloading this jack beyond its rated capacity can cause damage to or failure of the jack.

Use on Hard Level Surface

This jack is designed only for use on hard level surfaces capable of sustaining the load. Use on other than hard level surfaces can result in jack instability and possible loss of load.

Center Load on Jack Saddle

Center load on jack saddle before lifting vehicle. Off-center loads and loads lifted when the jack is not level can cause loss of load or damage to the jack. Only use on vehicles whose lift points fit well with saddle of this jack.

Do Not Use Jack as Dolly

Do not move or dolly the vehicle while it is on the jack. Do not use this jack to lift or move a building, mobile home or travel trailer of any type.

KEEP HANDS AND FEET CLEAR OF THE JACK HINGE MECHANISM AND GROUND CONTACT AREA WHEN LOWERING THE LOAD!

CRAFTSMAN LIMITED WARRANTY

CRAFTSMAN LIMITED WARRANTY

FOR ONE YEAR from the date of sale this product is warranty against defects in material or workmanship. WITH PROOF OF SALE a defective product will be replaced free of charge.

For warranty coverage details to obtain free replacement, visit the web page: www.craftsman.com/warranty

This warranty applies for only 90 days from the date of sale if this product is ever used while providing commercial services or if rented to another person.

This warranty gives you specific legal rights, and you may also have other rights which vary from state to state.

Sears Brands Management Corporation,
Hoffman Estates, IL 60179

DESCRIPTION

This jack features a 6,000 lbs. maximum load capacity. Lifting range for this jack is 5-3/8 inches to 19-1/2 inches. Jack features an overload valve bypass system to prevent jack damage and user injury.

Specifications

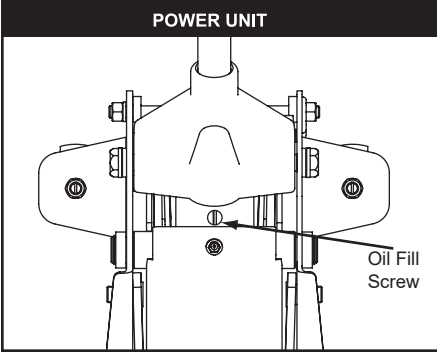
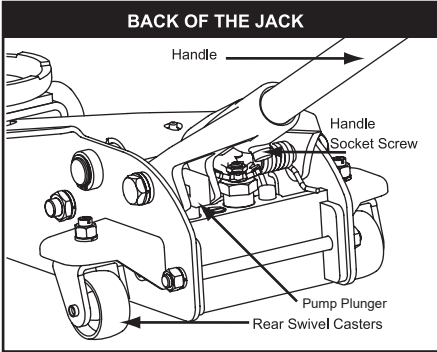
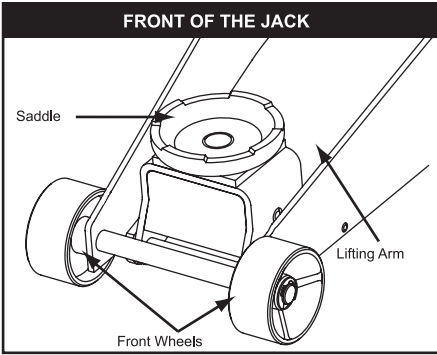
Compact design allows use in confined spaces
Maximum load capacity.....3 tons (6,000 lbs.)
Service jack lift range.....5-3/8 to 19-1/2 inches
Weight.....75 lbs.

WARNING: This product contains chemicals known to the state of California to cause cancer and birth defects or other reproductive harm. www.P65Warnings.ca.gov

THIS IS A LIFTING DEVICE ONLY!



DO NOT work on vehicle supported by jack. Immediately after lifting, support load with appropriately rated vehicle support stands before working on vehicle.



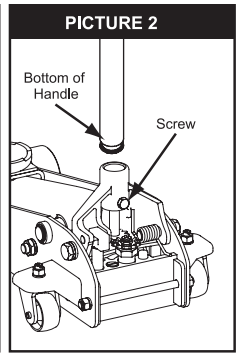
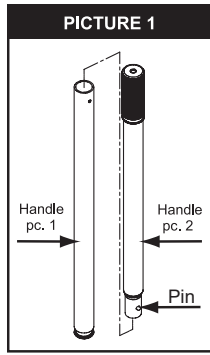
PREPARATION

Preparation

After first removing from shipping box

- Carefully remove the retaining clip from the back of the service jack.

CAUTION: The socket will tend to spring upward when the clip is removed. To prevent possible injury, place one hand on top of socket to control its upward motion when removing clip with other hand.



ASSEMBLY

Assembly

Handle Assembly

- Refer to Picture 1 when performing this step. Align Quick Disconnect pushpin in upper handle piece with attachment hole in lower handle piece. Push upper piece into lower piece until pushpin pops through hole.
- Sufficiently loosen the Handle Socket Screw to insert the assembled handle (Picture 2).
- Line up the square shaped hole located at the bottom of the handle over the square bolt inside the Handle Socket.
- Lower the handle onto the bolt. Secure the handle in place by tightening the Handle Socket Screw until the handle stops rotating.

NOTICE: ONLY use the handle provided with this jack. Handle is specially designed to properly fit into handle socket and engage release valve.

FEATURES & OPERATION

Operation

Raising the Jack

- Place vehicle in park, with emergency brake on and wheels securely chocked to ensure lifting stability.
- Refer to the vehicle manufacturer owner's manual to locate the approved vehicle lifting points.
- Position the jack so that the saddle will firmly contact the vehicle lifting point.
- Close the release valve by turning the handle clockwise until it stops.
- Pump jack handle until saddle nears contact with vehicle lifting point. Check to see that the saddle is centered and will contact lifting point firmly.

- Continue to pump jack handle to lift vehicle to desired height.
- After lifting, support the load with appropriately rated vehicle support stands before working on vehicle.

WARNING: Never work on, under, or around a load supported only by a hydraulic jack.

Lowering the Jack

- Raise load high enough to clear jack stands; then carefully remove the stands.
- Carefully open the release valve by slowly turning the handle counterclockwise.
- After removing jack from under vehicle, if saddle has not fully descended, push it all the way down. This will reduce ram exposure to rust and contamination.

MAINTENANCE

Maintenance

To Add Oil:

- Position jack on the level ground and lower the saddle.
- Remove the oil fill screw.
- Fill the oil reservoir until oil level is just over the top surface of the inner cylinder. Replace oil plug.
- Perform Air Purge Procedure described on page 2.

To Replace Oil:

- Fully open release valve by turning handle counterclockwise as far as it will go.
- Remove the oil fill screw. Turn the jack over so that old oil will drain from the oil fill hole.
- Turn the jack back over after the oil has drained. Refill through oil fill hole. Keep dirt and other material clear when pouring. Fill to just beneath lower rim of hole. Replace oil fill screw.
- Perform Air Purge Procedure described on page 2.

Lubrication

- Add lubricating oil (WD-40) to all moving parts when needed.
- For light duty use, lubricate every six months.
- For heavy and constant use, lubrication is recommended every month.

Rust Prevention:

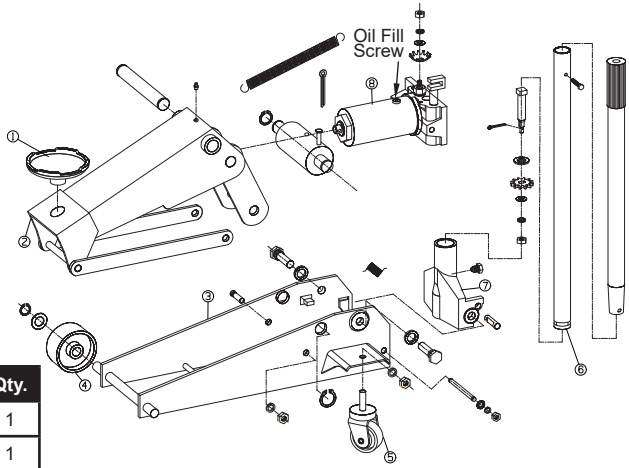
- Check ram and pump plunger on the Power Unit Assembly every two months (or sooner, based on usage) for any signs of rust or corrosion. Lift the jack as high as it goes and look under and behind the lifting arm. If signs of rust are visible clean as needed and wipe down with with an oily cloth or cloth sprayed with WD-40.
- When storing the jack, always have the saddle and pump plunger in the down position.

ALWAYS USE A GOOD GRADE HYDRAULIC JACK OIL. DO NOT USE HYDRAULIC BRAKE FLUID, ALCOHOL, GLYCERINE, DETERGENT, MOTOR OIL OR DIRTY OIL. USE OF AN UNRECOMMENDED FLUID CAN CAUSE DAMAGE TO YOUR JACK.

Air Purge Procedure

During shipment, air may get into the hydraulic system causing reduced lifting performance. Perform Air Purge Procedure described on page 2.

EXPLODED VIEW AND PARTS LIST



#	Description	Qty.
1	Saddle	1
2	Lift Arm	1
3	Side Plate Assembly	1
4	Front Wheel	2
5	Rear Caster Assembly	2
6	Handle	1
7	Handle Socket	1
8	Power Unit Assembly	1

TROUBLESHOOTING

Symptom							Probable Cause and Solution
Jack will not lift load	Jack will not hold load	Jack will not lift to full height	Jack will not lower completely	Poor jack lifting, pump feels spongy	Handle raises by itself while under load		
X	X	X		X		Oil level is low in jack. Add oil as required.	
X		X	X	X	X	Power unit may have trapped air. Release air from system.	
X	X	X				Release valve may not be closing properly. Turn the release valve clockwise tightly.	
			X			Oil reservoir is over-filled. Drain out some oil.	
			X			Lubrication of moving parts is necessary.	
X	X			X		Power unit is malfunctioning. Replace the power unit.	



For Help Line, Parts and Service:
Call 8:00 am - 4:45 pm, CT, Monday - Friday
1-888-332-6419

Para la línea de ayuda, partes y servicio:
Llame de 8:00 am - 4:45 pm, CT, Lunes-Viernes
1-888-332-6419