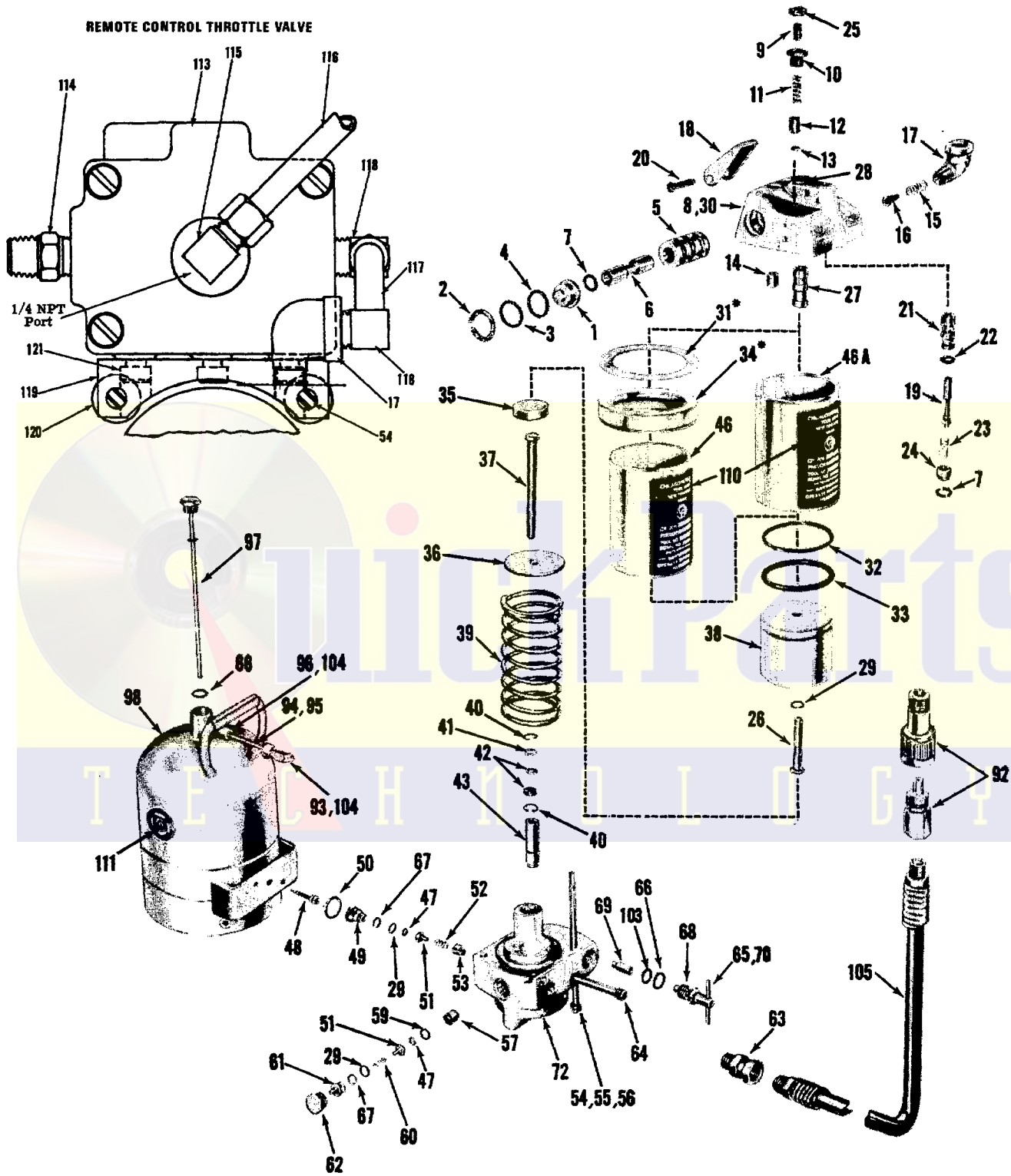


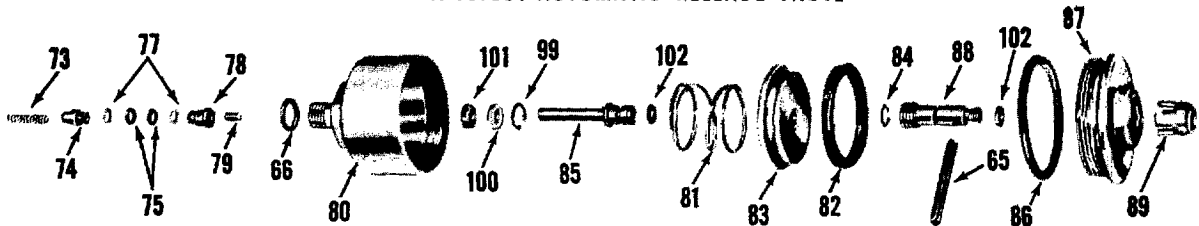


CP-0705 PNEUDRAULIC POWER CELLS Model "A"

REMOTE CONTROL THROTTLE VALVE



A-087054 AUTOMATIC RELEASE VALVE





CP-0705 PNEUDRAULIC POWER CELLS Model "A"

Index No.	CP Part No.	Description	No. Req'd
1	A-088210	Cap-Valve	2
2	A-088277	Retainer-Cap	2
3	A-088278	Washer-"O" Ring	2
4	H-082651	"O" Ring (-115)	2
5	A-088202	Bushing-Automatic Valve	1
6	A-088209	Valve-Automatic	1
7	CA-088867	"O" Ring (-110) (Note: Must Be Placed At Air Line (95) End Of Valve)	2
8	A-087049	Cylinder Head (Incl: Index No's. 5, 14, 21, 27 & 28)	1
9	A-088185	Screw-Allen Set (1/4-28 x 3/4)	1
10	A-088206	Cap-Valve	1
11	A-088205	Spring-Safety Valve	1
12	A-088204	Valve-Safety Check	1
13	C-079489	"O" Ring (-008)	1
14	A-088200	Bushing-Safety Valve Seat	1
15	P-045432	Spring-Air Strainer	1
16	CA-081768	Strainer-Air	1
17	P-072421	Ell-Street (1/4 x 1/4)	3
18	P-088213	Lever-Throttle	1
19	A-088211	Valve-Throttle	1
20	A-088214	Rivet-Throttle Lever	1
21	A-088203	Bushing-Throttle Valve	1
22	A-088189	Seat-Valve	1
23	A-088212	Spring-Valve	1
24	A-088274	Cap-Valve	1
25	P-005995	Nut-Hex (1/4-28)	1
26	A-088207	Valve-Distributor	1
27	A-088201	Bushing-Distributor Valve	1
28	C-035399	Plug-Welch (1/2" Dia.)	1
29	A-082777	"O" Ring (-012)	3
30	P-087082	Cylinder Head Complete (Incl: Index No's. 1 thru 29)	1
31	* A-092888	Gasket-Cylinder Head	1
32	A-092947	"O" Ring (-228)	1
33	A-082779	"O" Ring (-330)	1
34	* A-088299	Ring-Cylinder Head Support	1
35	**	Spacer-Ram Head	1
36	**	Washer-Ram Return	1
37	**	Ram-Hydraulic	1
38	A-087155	Piston	1
39	A-083120	Spring-Piston Return	1
40	**	Ring-Truarc Retaining	2
41	**	Washer-Ram Packing	1
42	**	"Vee" Packing & Ring	1
43	**	Bushing-Ram	1
46		Cylinder (Steel)(Not Available)	1
46A	A-128214	Cylinder (Phenolic)	1
47	P-118494	"O" Ring (-009)	2
48	A-088276	Strainer-Inlet Oil	1
49	A-088229	Seat-Inlet Check Valve	1
50	C-083177	"O" Ring (-210)	1
51	A-083831	Valve-Check	2
52	P-072355	Spring-Check Valve (Inlet)	1
53	A-088286	Stop-Check Valve	1
54	A-088223	Rod-Tie (Cylinder Head)	4
55	S-000271	Lockwasher (1/4")	4
56	C-018515	Nut-Hex (1/4-20)	4
57	A-088227	Seat-Check Valve	1
59	P-083071	"O" Ring (-011)	1
60	A-009210	Spring-Check Valve (Outlet)	1
61	A-088230	Plug-Check Valve	1
62	A-088231	Cap-Plug (Check Valve)	1
63	H-080721	Union-Swivel	1

* Spare Parts Only Not Required With A-128214 Cylinder

Index No.	CP Part No.	Description	No. Req'd
64	A-088234	Screw-Allen (5/16"-24 x 3 1/4")	2
65	A-088233	Handle-Valve Screw	1
66	P-083082	"O" Ring (-112)	2
67	A-088226	Ring-Back Up	2
68	A-092027	Screw-Valve	1
69	A-092028	Valve-Release	1
70	A-087078	Release Valve Handle (Incl: One of 65, 66, 68 & 103)	1
72	**	Valve Block Ass'y (**)(Incl: #43, 57, 59 & 63) Valve Block Comp. (**)(Incl: Valve Block Ass'y and No's. 29, 37, 40, 41, 42, 47, 48, 49, 50, 51, 52, 53, 60, 61, 62 & 67)	1
73	A-095190	Spring-Valve	1
74	A-088253	Valve-Release	1
75	P-089268	"O" Ring (-009)	2
77	A-088281	Ring-Back Up	2
78	A-088254	Seat-Needle Valve	1
79	A-088255	Valve-Needle	1
80	A-088248	Cylinder	1
	A-087069	Automatic Release Valve Cyl. Ass'y (Incl: #66, 80 thru 85, 88, 99 thru 103)	1
81	A-053889	Spring-Piston Return	1
82	A-092023	"Vee" Packing-Piston	1
83	A-088249	Piston	1
84	P-084218	Ring-Truarc Retaining (#5100-37)	1
85	A-092022	Stem-Piston	1
86	H-083088	"O" Ring (-226)	1
87	A-088251	Cap-Cylinder	1
88	A-088252	Screw-Lock	1
	A-087053	Lock Screw Comp. (Incl: #65, 86, 87, 89 and One of 102)	1
89	A-092001	Nut-Lock	1
92	A-082980	Coupling-Hose Connector (Ram Half)	1
	A-088187	Coupling-Hydraulic (Hose Half)	1
93	P-093360	Elbow-Male	1
94	A-088273	Pump to Reservoir Air Line Ass'y. (Incl: 93, 95, 96 & Two of 104)	1
95	A-095993	Line-Air	1
96	P-093361	Connector-Male	1
97	A-087045	Cap-Filler & Gauge-Oil	1
98	A-088215	Reservoir-Oil	1
99	A-088220	Ring-Truarc Retaining (#5000-50)	1
100	A-083822	Washer-"Vee" Packing	1
101	A-083821	"Vee" Packing	1
102	C-069083	"O" Ring (-010)	2
103	CA-083354	"O" Ring (-111)	1
104	P-097224	Sleeve-Support	2
105	See Page 4	Hose-Hydraulic	1
110	A-088268	Plate-Name	1
111	CA-050276	Decal (Monogram)	2
112	P-080511	Tee-Female (1/4 x 1/4 x 1/4 NPT)(See Pg.9)	1
113	P-119217	Valve-Poppet (Remote)	1
114	C-084864	Nipple-Hex (1/4 NPT)	1
115	P-093359	Elbow-Male 1/4 O. D. -Tubing (1/4 NPT)	1
116	P-093376	Remote Control Air Line Assembly	1
117	P-053917	Line-Air (3/8" O. D. x 8" Long)	1
118	P-091270	Elbow-90° Male (Includes Nut & Ferrule)	2
119	P-049954	Block-Mounting (Remote Control)	1
120	P-049955	Bumper	2
121	P-081296	Screw-Allen (1/4-20 x 3/8)	3
122	C-068799	Plug-Pipe (1/4") (See Pg. 3)	1

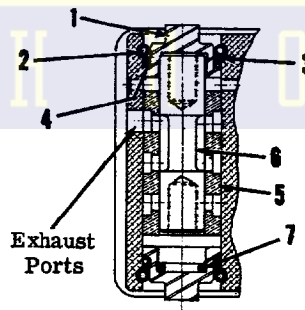
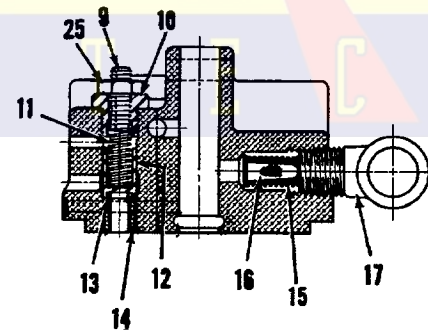
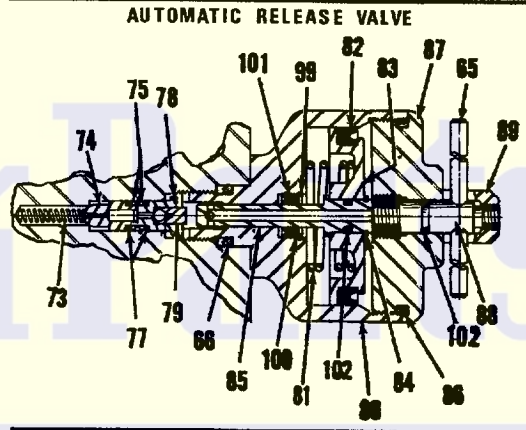
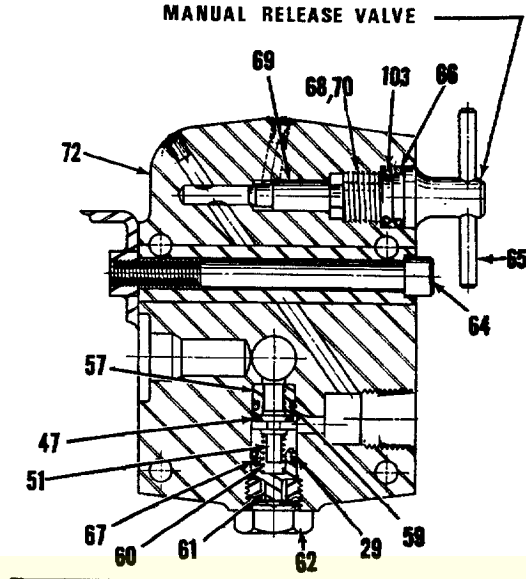
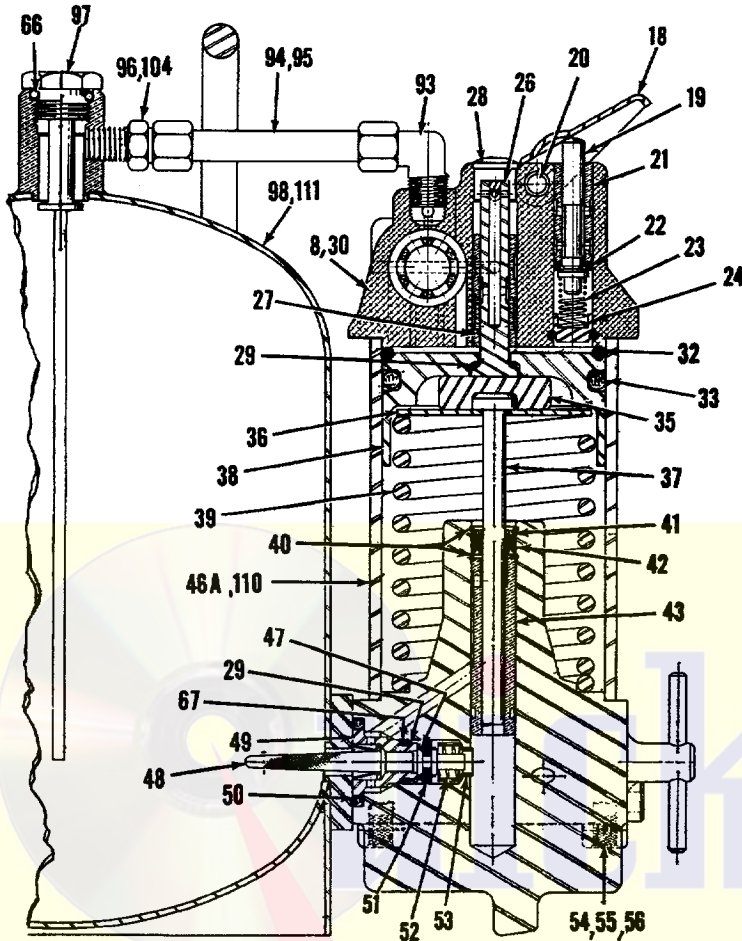
**See Table Below

*Spare Parts Only

Index No.	Power Capacity (At 90 P. S. I. Air)	10,000 P. S. I.	7,000 P. S. I.	* 3,000 P. S. I.
35	Spacer-Ram Head	A-088219	A-088219	A-030373
36	Washer-Ram Return	A-092030	A-083119	A-030374
37	Hydraulic-Ram & Size	A-092029 (13/64")	A-083116 (1/4")	A-030381 (3/8")
40	Ring-Packing Retaining	A-088220 (#5000-50)	A-088220 (#5000-50)	A-030380 (#5000-62)
41	Washer-Ram Packing	A-092033	A-083822	A-030379
42	"Vee" Packing & Ring	P-117439	A-083821	A-030378
43	Bushing-Ram	A-092031	A-122684	A-030376
72	Block-Valve	A-087084	A-087050	A-092304
	Valve Block Complete	A-087085	A-087065	A-092303

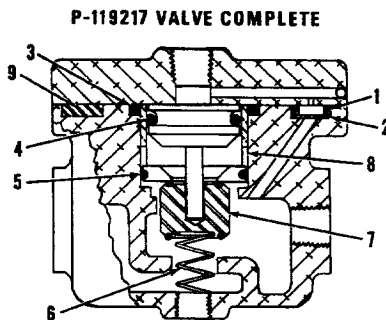


CP-0705 PNEUDRAULIC POWER CELLS



REMOTE CONTROL THROTTLE VALVE

All Threads Are Right Hand Unless Otherwise Specified.



Index No.	CP Part No.	Description	No. Req'd.
1	P-119213	Seal-Ring	1
2	P-117280	Screen	1
3	H-082653	"O"- Ring (-218)	1
4	C-084173	"O"- Ring (-212)	1
5	P-114630	"O"- Ring (-121)	1
6	P-114631	Spring	1
7	P-114633	Poppet (Incl: 2-Bonded "O" Rings)	1
8	P-114634	Bushing	1
9	P-119214	Plug-Seal	2

P-119215 Seal Repair Kit Incl: Index No's 1 thru 6
 P-119216 Complete Repair Kit Incl: Index No's 1 thru 8

P-063919 VALVE ASSEMBLY REMOTE THROTTLE

Includes 15 foot air line and necessary fittings to connect to Remote Control Throttle Valve.

P-093376 replacement air line assembly (15 foot) includes hose, nuts and ferrules.

