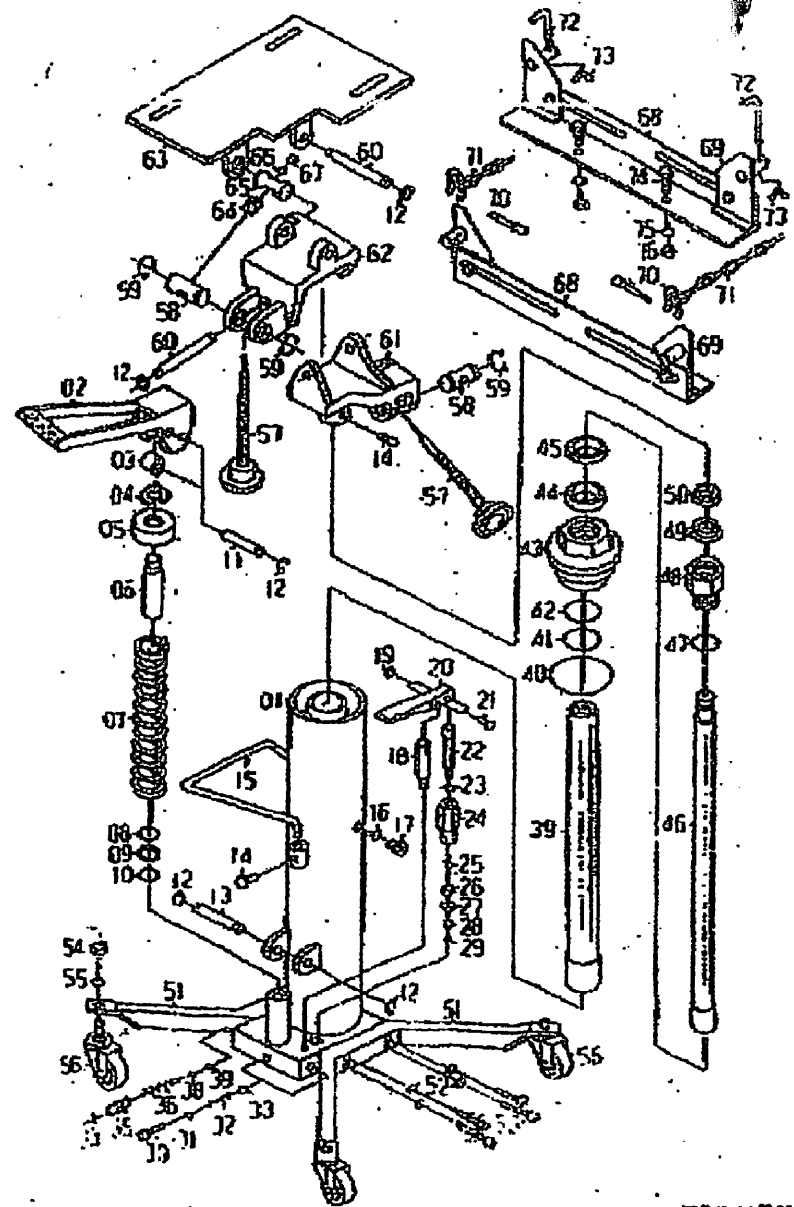


2156

1,000 LB PROFESSIONAL HIGH LIFT TRANSMISSION JACK ASSEMBLY INSTRUCTIONS

- STEP 1:** Install LEGS ASSEMBLY to POWER UNIT by using 3/8" UNC BOLTS and WASHERS.
Do Not Use Any Kind of Air Ratchet or Air Gun to Tighten Any Bolt On This Unit!
- STEP 2:** With 3/8" x 3/4" BOLTS/WASHER, Install ALL FOUR SADDLE ANGLES to top part of SADDLE ASSEMBLY.
- STEP 3:** Install WING NUT/CHAIN ASSEMBLY to SADDLE ANGLES to top part of SADDLE ASSEMBLY.
Always Use the Load restraint Chain!

PART	DESCRIPTION	QTY	PART	DESCRIPTION	QTY	PART	DESCRIPTION	QTY	PART	DESCRIPTION	QTY
01	Base Assembly	1	30	Pin	1	39	Main Piston	1	69	Adjust Bearing	2
02	Pin	1	21	Pin	2	40	"O" Ring	1	59	Stop Ring	4
03	Oushing	1	22	Release Slice	1	41	Back-Up Ring	1	60	Pin	2
04	Retainer Ring	1	23	"O" Ring	1	42	"O" Ring	1	61	Saddle Base 1	1
05	Spring Cover	1	24	Release Valve	1	43	Top Cap	1	62	Saddle Base 2	1
06	Piston	1	25	Spring	1	44	"O" Cup Seal	1	63	Pin Plate	1
07	Spring	1	26	Pin	1	45	Wiper Seal	1	64	"T" Bearing	2
08	"O" Ring	1	27	Brass Washer	1	46	Wipe Piston	1	65	Bearing System	2
09	Back-Up Ring	1	28	Ball Guide	1	47	"O" Ring	1	66	Washer	2
10	"O" Ring	1	29	Steel Ball	1	48	Top Cap	1	67	Hex Nut	2
11	Pin	1	30	Screw	2	49	"U" Cup Seal	1	68	Saddle Angle 1	2
12	Stop Ring	4	31	Brass Washer	2	50	Wiper Seal	1	69	Saddle Angle 2	4
13	Pin	1	32	Spring	2	51	Legs	2	70	Pin	2
14	Ball	3	33	Steel Ball	2	52	Spring Washer	8	71	Chain Connector	2
15	Ring	1	34	"O" Ring	1	53	Screw	8	72	Roll Ball	2
16	"O" Ring	1	35	Screw	1	54	Nut	4	73	Ring Nut	2
17	Screw	1	36	Spring	1	55	Washer	4	74	Screw	4
18	Stable Stop	1	37	Ball Guide	1	56	Wheels	4	75	Washer	1
19	Stop Ring	2	38	Steel Ball	1	57	Pin Screw	2	76	Pin	4



REF. (0024-C) 98