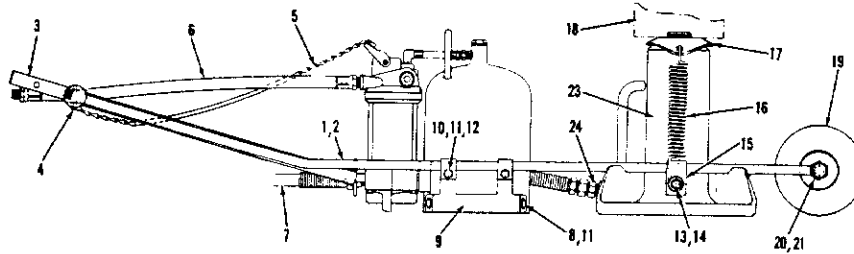


CP-705-20TC Model B



CART

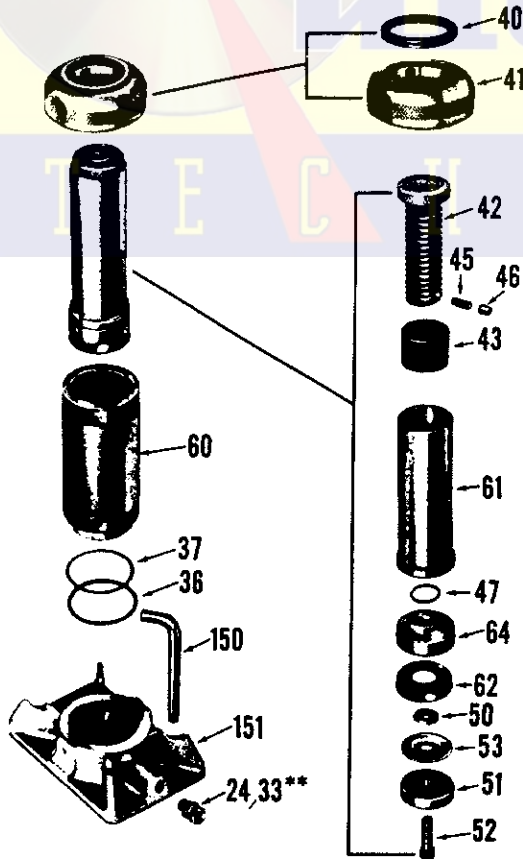


Index No.	CP Part No.	Description	No. Req'd	Index No.	CP Part No.	Description	No. Req'd
1	A-087063	Cart Frame Complete (Incl: No's. 2, 3, 4, 5, 6, 8, 9, 10, 11, 12, 13, 14 & 15)	1	11	S-000271	Lockwasher	8
2	A-087060	Frame-Cart (Incl: index No's. 19, 20 & 21)	1	12	C-018515	Nut-Hex.	4
3	A-087061	Rod-Release Extension	1	13	P-073448	Screw-Hex. Head Cap	2
4	P-081860	Screw-Self Tapping	2	14	A-090734	Anchor-Spring	2
5	A-088271	Chain-Throttle Lever	1	15	A-088265	Clamp	1
6	CA-088140	Hose-Air	1	16	A-130016	Spring-Return	2
7	A-078894	Hose-Hydraulic	1	17	A-130019	Bracket-Return Spring	1
8	P-004246	Screw-Hex. Head Cap	4	18	A-092704	Block-Aluminum Extension	1
9	A-088267	Bracket (Cart to Pump)	2	19	A-088261	Wheel-Cart	1
10	S-009438	Screw-Hex. Head Cap	4	20	A-052869	Bolt-Hex. Head	1
				21	A-052870	Nut-Hex.	1
				23		CP-20T Jack	1
				24	H-080721	Union-Swivel	1

CP-20T Model B



JACK



Index No.	CP Part No.	Description	No. Req'd.
24	H-080721	Union-Swivel	1
33	A-082980	Coupling-Hyd. **(See Note)	1
36	H-082660	"O" Ring	1
37	A-088240	Ring-Non-Extrusion	1
40	A-092011	Wiper-Rod	1
41	A-092017	Cap-Cylinder	1
42	A-118021	*Screw-Adjusting	1
43	A-088246	Nut-Adjusting Screw	1
45	P-080094	Spring	1
46	A-118018	Pin-Retaining	1
47	C-085385	"O" Ring	1
50	A-052291	Spacer-Packing	1
51	A-092016	Plate-Follower	1
52	A-092013	Screw-Allen Cap	1
53	A-052292	Spring-Packing	1
60	A-088239	Cylinder	1
61	A-092025	Ram	1
62	A-052294	Packing-Ram	1
64	A-092015	Piston-Ram	1
150	A-088238	Handle-Carrying	1
151	A-088237	Base	1

*A-088245 Adjusting Screw Assy.
(Incl: Index No's. 42, 45 & 46)

** Note: Used on CP-705-20T
and CP-705-50T units only.

All Threads Are Right Hand Unless Otherwise Specified.