

**BEN PEARSON**

**PARTS MANUAL –**

**MODEL 9000AI**

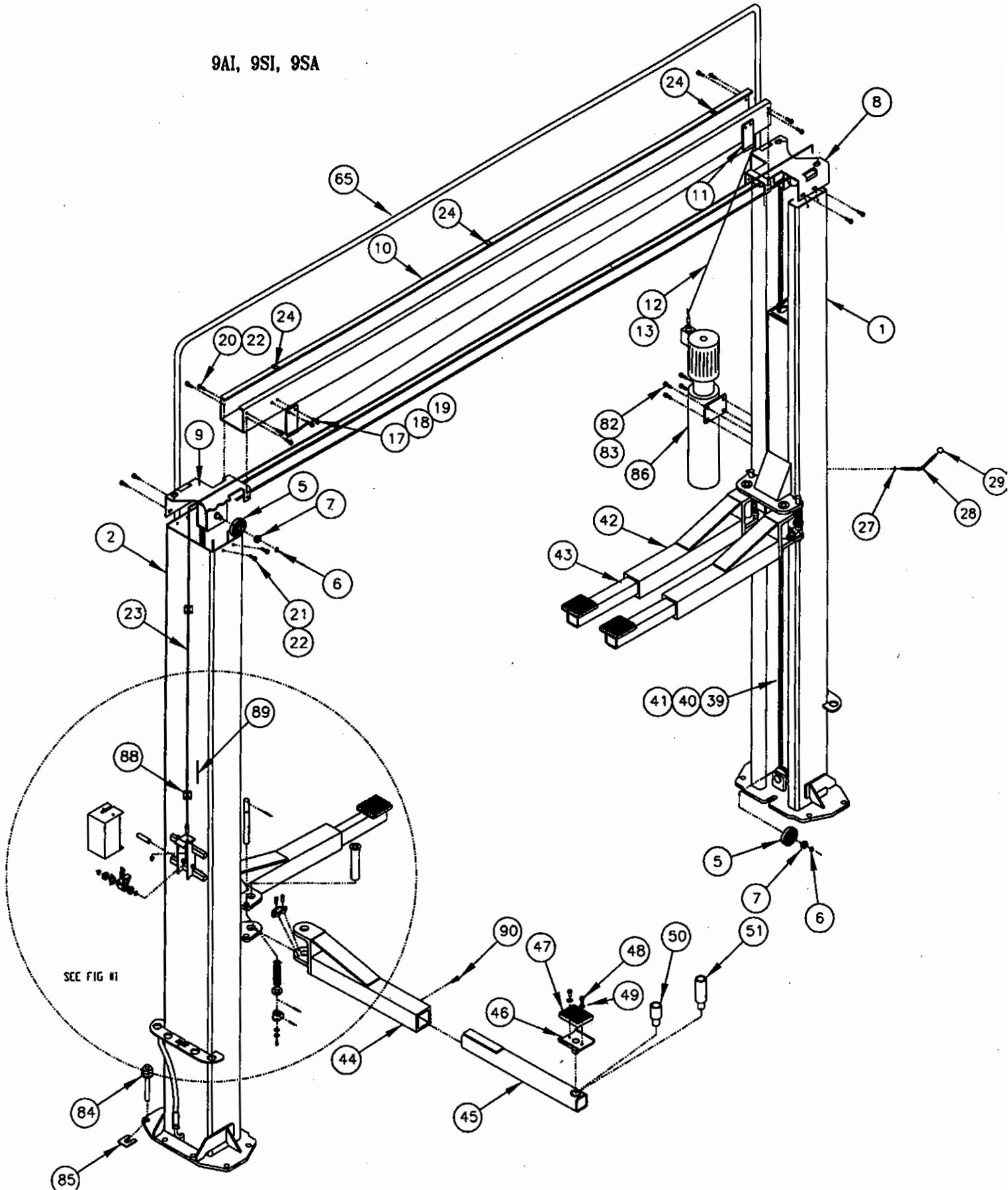
**MODEL 9000SA**

**MODEL 9000SI**

**2912 W. 2nd  
Pine Bluff, Arkansas 71601**

**1-800-436-1327**

9AI, 9SI, 9SA



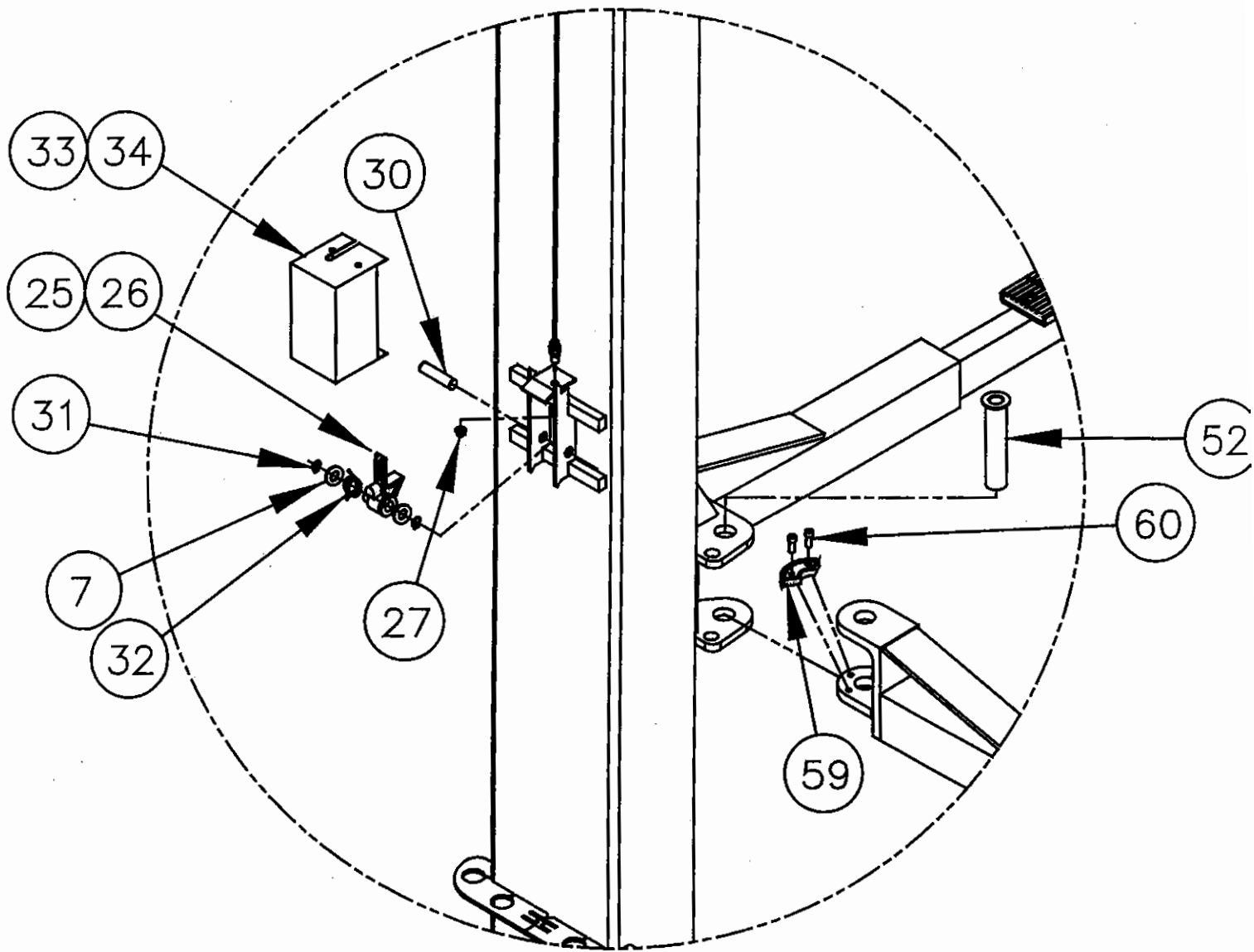
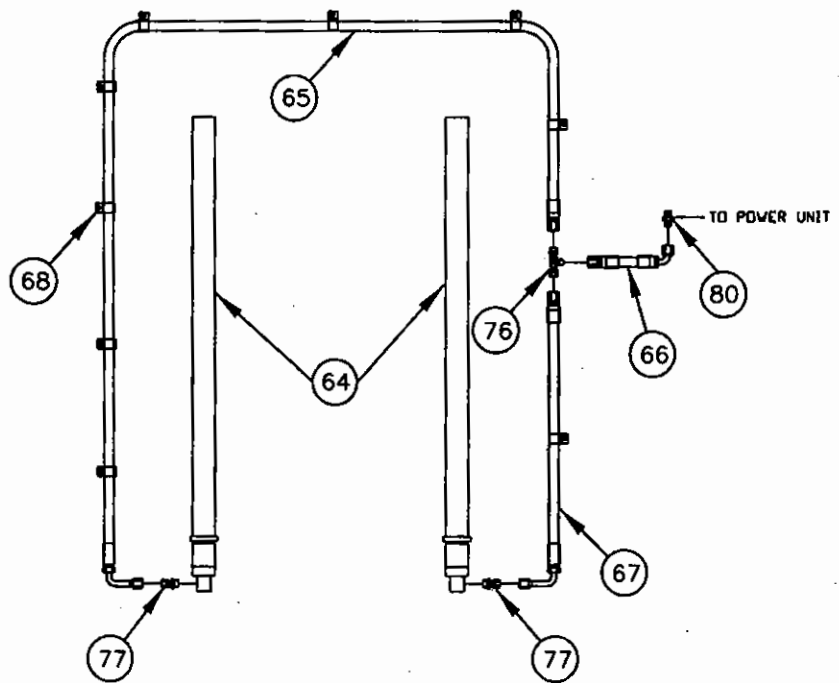
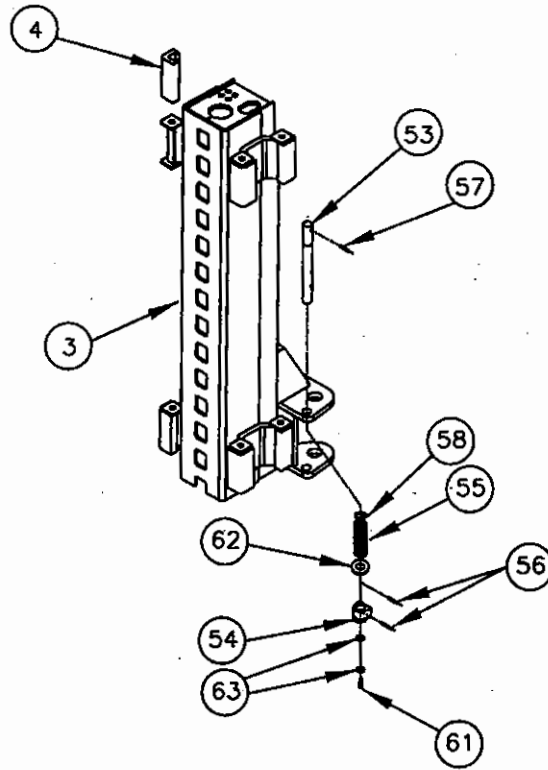
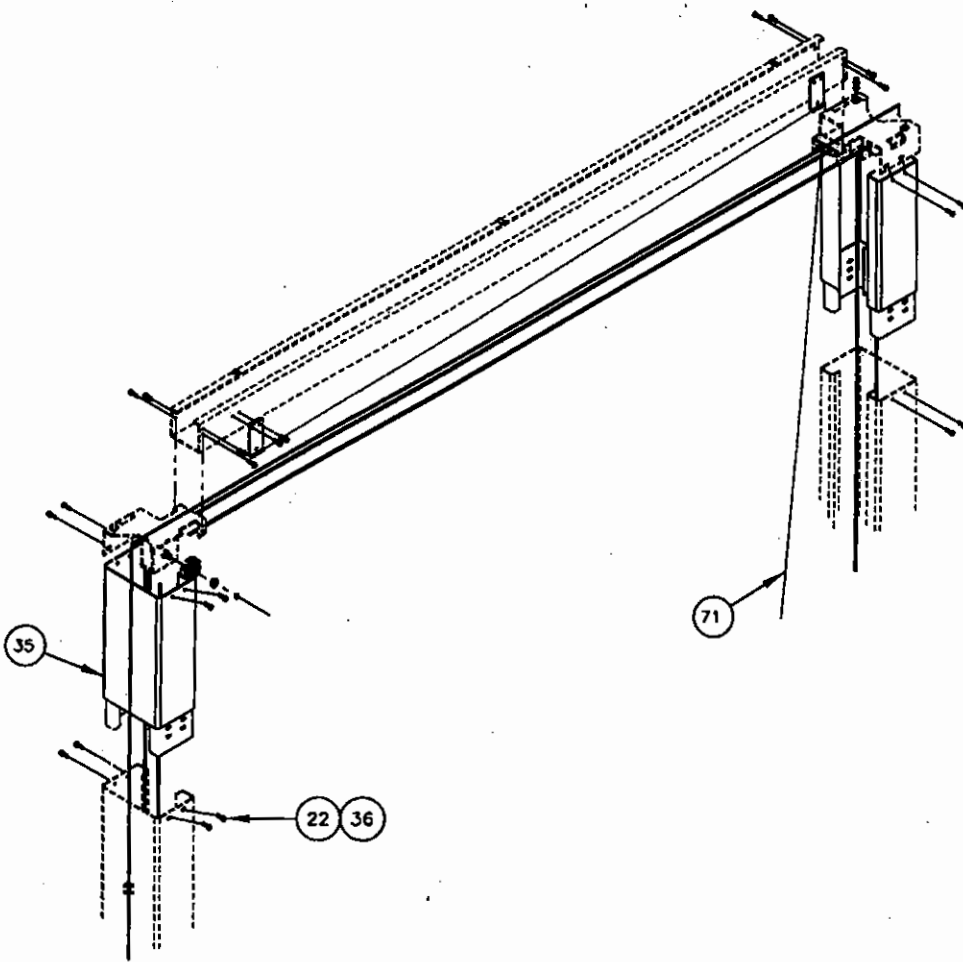


FIG #1

9AI, 9SI & 9SA





## PARTS LISTING

10/11/05

	BASE MODEL	9000AI		9000SI		9000SA	
	LIFT PART NUMBER	90055		90058		90085	
	OVERALL HEIGHT	141-3/8"	QT	141-3/8"	QT	141-3/8"	QT
1	POST STRUCTURE - RH	91500	1	91605	1	91605	1
2	POST STRUCTURE - LH	91512	1	91512	1	91512	1
3	CARRIAGE STRUCTURE	91513	2	91513	2	91513	2
4	BEARING BLOCK	91564	16	91564	16	91564	16
5	SHEAVE	91565	6	91565	6	91565	6
6	SNAP RING 3/4"	103000	6	103000	6	103000	6
7	FLATWASHER 3/4" SAE	100512	6	100512	6	100512	6
8	TOP CAP STRUCTURE - RH	91528	1	91607	1	91607	1
9	TOP CAP STRUCTURE - LH	91529	1	91607	1	91607	1
10	CROSSOVER CHANNEL	91566	1	91566	1	91566	1
11	BRACKET - SHUTOFF MOUNTING	92495	3	92495	2	92495	2
12	CABLE - SHUTOFF	91085	1	91085	1	91085	1
13	CABLE CLAMP - SHUTOFF	91086	4	91086	4	91086	4
17	HHS 1/4 20 NC X 3/4	100207	4	100207	4	100207	4
18	HEX NUT 1/4-20NC	100131	6	100131	6	100131	6
19	LOCKWASHER 1/4"	100134	6	100134	6	100134	6
20	HEX SCREW 3/8-16NC X 3/4	100179	8	100179	8	100179	8
21	HFHSL SCREW 3/8-16NCX1-1/4	100382	17	100382	17	100382	17
22	HFHSL NUT 3/8-16NC	100239	17	100239	17	100239	17
23	ACTUATOR CABLE - ASSEMBLY	91572	1	91620	1	91620	1
	ACTUATOR CABLE - EH1	91628	1	91630	1	91630	1
	ACTUATOR CABLE - EH2	91629	1	91631	1	91631	1
24	CLIP - CABLE	103021	3	103021	3	103021	3
25	RH CARRIAGE LATCH	91599	1	91599	1	91599	1
26	LH CARRIAGE LATCH	91600	1	91600	1	91600	1
27	HEX JAM NUT 3/8-16	101029	1	101029	1	101029	1
28	HANDLE - CARRIAGE STOP	91574	1	91574	1	91574	1
29	KNOB	91575	1	91575	1	91575	1
30	PIN - PIVOT - CARRIAGE STOP	91576	2	91576	2	91576	2
31	3/4" SNAP RINGS	103000	4	103000	4	103000	4
32	TORSION SPRING - CARRIAGE STOP	103016	2	103016	2	103016	2
33	LATCH COVER - POWER UNIT SIDE	91569	1	91569	1	91569	1
34	LATCH COVER - OFFSIDE	91533	1	91533	1	91533	1
35	EXTENSION WELDMENT - 1' EH1	91636	2	91636	2	91636	2
	EXTENSION WELDMENT - 2' EH2	91633	2	91633	2	91633	2
36	3/8-16 X 1 HFHSL BOLT - EH1 & EH2	100238	8	100238	8	100238	8
39	EQUALIZER CABLE - 33'	91593	2	91579	2	91579	2
	EQUALIZER CABLE - EH1 - 35'	91626	2	91624	2	91624	2
	EQUALIZER CABLE - EH2 - 37'	91627	2	91625	2	91625	2
40	FLATWASHER 5/8" SAE	100155	4	100155	4	100155	4
41	HEX NUT 5/8-11NC	100192	8	100192	8	100192	8
42	FRONT ARM STRUCTURE	91537	2	91613	2		
	FRONT ARM STRUCTURE - RH					92212	1
	FRONT ARM STRUCTURE - LH					92213	1
#	FRONT ARM EXT. STR. - LONG (CENTER)					92214	2
43	FRONT ARM EXTENSION STRUCTURE	91542	2	91615	2	92215	2
44	REAR ARM STRUCTURE	91548	2	91613	2	91548	2
45	REAR ARM EXTENSION STRUCTURE	91551	2	91615	2	91551	2

	BASE MODEL	9000AI		9000SI		9000SA	
	LIFT PART NUMBER	90055		90058		90085	
	OVERALL HEIGHT	141-3/8"	QT	141-3/8"	QT	141-3/8"	QT
#	LIFT PAD ASSEMBLY	91555	4	91555	4	91555	4
46	LIFT PAD STRUCTURE	91556	1	91556	1	91556	1
47	PAD LIFT - BOLT ON	91559	1	91559	1	91559	1
48	HFHSL 3/8-16NC X 3/4	100179	2	100179	2	100179	2
49	FLATWASHER 3/8" SAE	100082	2	100082	2	100082	2
50	LIFT PAD EXTENSION 2-5/8"	91560	4	91560	4	91560	4
51	LIFT PAD EXTENSION 5"	91562	4	91562	4	91562	4
52	ARM PIN STRUCTURE	91063	4	91063	4	91063	4
53	SHAFT - ARM RESTRAINT	91581	4	91581	4	91581	4
54	GEAR - LOCKING	91582	4	91582	4	91582	4
55	SPRING - ACTUATING - ARM RESTRAINT	103017	4	103017	4	103017	4
56	ROLL PIN - 3/16 X 1-1/2	103009	8	103009	8	103009	8
57	ROLL PIN - 1/4 X 2-1/2	103018	4	103018	4	103018	4
58	1" SNAP RING	103019	4	103019	4	103019	4
59	GEAR - ARM RESTRAINT	91584	4	91584	4	91584	4
60	SOCKET HEAD CAP SCREW 3/8-16NC X 1"	101028	8	101028	8	101028	8
61	SOCKET HEAD CAP SCREW-5/16-18 X 3/4	101027	4	101027	4	101027	4
62	FLAT WASHER 1" SAE	100143	4	100143	4	100143	4
63	FLAT WASHER 5/16" SAE	100088	6	100088	6	100088	6
64	CYLINDER	91586	2	91586	2	91586	2
65	HYDRAULIC HOSE	92500	1	92500	1	92500	1
66	HYDRAULIC HOSE	92480	1	92480	1	92480	1
67	HYDRAULIC HOSE	92501	1	92501	1	92501	1
68	HOSE CLAMP	61412	9	61412	9	61412	9
70	HYDRAULIC HOSE EXTENSION - EH1	XXXXX	1	XXXXX	1	XXXXX	1
	HYDRAULIC HOSE EXTENSION - EH2	XXXXX	1	XXXXX	1	XXXXX	1
71	CABLE - SHUT OFF - EH1 & EH2 22'	92498	1	92498	1	92498	1
#	CABLE TIE - EH1 & EH2	103025	4	103025	4	103025	4
76	TEE - UNION 9/16JIC	105078	1	105078	1	105078	1
77	CONNECTOR - STRAIGHT - NPT	100037	2	100037	2	100037	2
80	ADAPTER 9/16ORB X 9/16JIC	60544	1	60544	1	60544	1
82	HHFL SCR 5/16X18NCX3/4 GR. 5	100234	4	100234	4	100234	4
83	HH FL NUT 5/16 X 18NC	100237	4	100237	4	100237	4
84	ANCHOR BOLT 3/4 X 5-1/2"	95083	12	95083	12	95083	12
85	SHIMS	95001	24	95001	24	95001	24
86	POWER UNIT - O/H 1PHASE 220V	95100	1	95100	1	95100	1
88	ADHESIVE 4-WAY CABLE TIE	103020	4	103020	4	103020	4
89	CABLE TIE	103025	4	103025	4	103025	4
90	3/8 x 3/4 SELF TAPPING SCREW	101025	4	101025	4	101025	6
#	SERIAL NAME PLATE	95056	1	95056	1	95056	1
#	BEN PEARSON DECAL 5X36 MYLAR	95005	2	95005	2	95005	2
#	PB/800 DECAL 2X5 MYLAR	95006	1	95006	1	95006	1
#	CAUTION DECAL 9000 LB	95007	2	95007	2	95007	2
#	ETL DECAL	95045	1	95045	1	95045	1
#	ALI UNIFORM WARNING LABELS	95046	1	95046	1	95046	1

	BASE MODEL	9000AI		9000SI		9000SA	
	LIFT PART NUMBER	90055		90058		90085	
	OVERALL HEIGHT	141-3/8"	QT	141-3/8"	QT	141-3/8"	QT
#	ALI SAFETY REQUIREMENTS FOR OPERATION		1	95047	1	95047	1
#	ALI LIFTING POINT QUICK REF.	95048	1	95048	1	95048	1
#	LIFTING IT RIGHT MANUAL	95049	1	95049	1	95049	1
#	BLUE TOUCH-UP PAINT	103007	1	103007	1	103007	1
#	YELLOW TOUCH-UP PAINT	103008	1	103008	1	103008	1
#	WARRANTY CARD	83423	1	83423	1	83423	1
#	MANUAL	95055	1	95055	1	95055	1
#	GREASE 2-EP 1# CAN	95116	1	95116	1	95116	1
#	NOT SHOWN						