

***Central
Hydraulics***®
**HIGH POSITION
MOTORCYCLE LIFT**

Model 99887

SET UP AND OPERATING INSTRUCTIONS



Distributed exclusively by Harbor Freight Tools®.

3491 Mission Oaks Blvd., Camarillo, CA 93011

Visit our website at: <http://www.harborfreight.com>



**Read this material before using this product.
Failure to do so can result in serious injury.
SAVE THIS MANUAL.**

Copyright© 2008 by Harbor Freight Tools®. All rights reserved. No portion of this manual or any artwork contained herein may be reproduced in any shape or form without the express written consent of Harbor Freight Tools. Diagrams within this manual may not be drawn proportionally. Due to continuing improvements, actual product may differ slightly from the product described herein. Tools required for assembly and service may not be included.

For technical questions or replacement parts, please call 1-800-444-3353.

SAVE THIS MANUAL

Keep this manual for the safety warnings and precautions, assembly, operating, inspection, maintenance and cleaning procedures. Write the product's serial number in the back of the manual (or month and year of purchase if product has no number). Keep this manual and the receipt in a safe and dry place for future reference.

IMPORTANT SAFETY INFORMATION

In this manual, on the labeling, and all other information provided with this product:



This is the safety alert symbol. It is used to alert you to potential personal injury hazards. Obey all safety messages that follow this symbol to avoid possible injury or death.

DANGER

DANGER indicates a hazardous

situation which, if not avoided, will result in death or serious injury.

WARNING

WARNING indicates a

hazardous situation which, if not avoided, could result in death or serious injury.

CAUTION

CAUTION, used with the safety

alert symbol, indicates a hazardous situation which, if not avoided, could result in minor or moderate injury.

NOTICE

NOTICE is used to address practices not related to personal injury.

CAUTION

CAUTION, without the safety alert symbol, is used to address practices not related to personal injury.

General Safety Warnings



WARNING Read all safety warnings and instructions.

Failure to follow the warnings and instructions may result in serious injury.

Save all warnings and instructions for future reference.

1. **Work area safety**
 - a. **Keep work area clean and well lit.** *Cluttered or dark areas invite accidents.*
 - b. **Keep children and bystanders away while operating the Motorcycle Lift.** *Distractions can cause you to lose control.*
2. **Personal safety**
 - a. **Stay alert, watch what you are doing and use common sense when operating the Motorcycle Lift. Do not use the Lift while you are tired or under the influence of drugs, alcohol or medication.** *A moment of inattention while operating the Lift may result in serious personal injury.*
 - b. **Use personal protective equipment. Always wear ANSI-approved safety goggles and heavy duty work gloves.** *Safety equipment such as non-skid safety shoes will reduce personal injuries.*

c. **Do not overreach. Keep proper footing and balance at all times.** *This enables better control of the Lift in unexpected situations.*

d. **Dress properly. Do not wear loose clothing or jewelry. Keep your hair, clothing and gloves away from moving parts.** *Loose clothes, jewelry or long hair can be caught in moving parts.*

e. **Only use safety equipment that has been approved by an appropriate standards agency.** *Unapproved safety equipment may not provide adequate protection. Eye protection must be ANSI-approved for specific hazards in the work area.*

3. Tool use and care

a. **Do not force the Motorcycle Lift. Use the correct equipment for your application.** *The correct equipment will do the job better and safer at the rate for which it was designed.*

b. **Release any load from the Motorcycle Lift before making any adjustments, changing accessories, or storing the unit.** *Such preventive safety measures reduce the risk of accidents.*

c. **Store idle equipment out of the reach of children and do not allow persons unfamiliar with the Motorcycle Lift or these instructions to operate the unit.** *Hydraulic tools are dangerous in the hands of untrained users.*

d. **Maintain the Motorcycle Lift. Check for misalignment or binding of moving parts, breakage of parts and any other condition that may affect the unit's operation. If damaged, have the Lift repaired before**

use. Many accidents are caused by poorly maintained equipment.

e. **Use the Motorcycle Lift and its accessories in accordance with these instructions, taking into account the working conditions and the work to be performed.** *Use of the Lift for operations different from those intended could result in a hazardous situation.*

4. Service

a. **Have your Motorcycle Lift serviced by a qualified repair person using only identical replacement parts.** *This will ensure that the safety of the Lift is maintained.*

Specific Safety Warnings

1. Maintain labels and nameplates on the Motorcycle Lift. These carry important safety information. If unreadable or missing, contact Harbor Freight Tools for a replacement.
2. Do not exceed the **1100 pound maximum lift capacity** of the Motorcycle Lift. Doing so may cause damage to the unit and/or serious personal injury. Beware of dynamic loading. Dropping or bouncing a load may briefly create an excess load, causing product failure.
3. Bleed the hydraulic system of the Motorcycle Lift before its initial use. **(See pages 6 thru 7.)**
4. Always place the Motorcycle Lift on a dry, oil/grease free, solid, level floor surface capable of supporting the weight of the Lift, its load, and any additional tools and accessories.

5. Lift the load only by the vehicle manufacturer's recommended lifting points.
6. Stay out from under the load while it is being lifted or supported.
7. Keep fingers, hands, and feet away from the Arm Lift assembly when raising or lowering the Lift.
8. Never use the Motorcycle Lift if the Position Pin is not engaged (locking the Arm Lift assembly in place).
9. Do not use the Motorcycle Lift with the vehicle's engine running. When running, the vehicle's engine produces carbon monoxide, a colorless, odorless, toxic fume that, when inhaled, can cause serious personal injury or death.
10. Always center the load directly over the two Arm Lifts.
11. Always use the two Straps with Hooks to secure the motorcycle/ATV to the Lift before raising the load.
12. Do not use the Motorcycle Lift for aircraft purposes.
13. Do not allow anyone on the vehicle when using the Motorcycle Lift. Keep all bystanders a safe distance away from the vehicle.
14. This Motorcycle Lift is designed for short term use only. Do not leave a load on the Lift for extended periods.
15. Before lowering the Motorcycle Lift, make sure tool trays and all other tools and equipment are removed from under the Lift.
16. Avoid rapid load descent. Turn the Release Valve slowly.
17. Do not leave the Motorcycle Lift unattended when it is under a load. Lower the Lift all the way before leaving.
18. This product is not a toy. Keep it out of reach of children.
19. The warnings, precautions, and instructions discussed in this instruction manual cannot cover all possible conditions and situations that may occur. It must be understood by the operator that common sense and caution are factors which cannot be built into this product, but must be supplied by the operator.

SPECIFICATIONS

Maximum Lift Capacity	1100 Pounds
Maximum Lifting Height	30"
Minimum Lifting Height	2-1/2"
Ram Travel	7-3/8"
Distance Between Base Legs	20-3/8"

UNPACKING

When unpacking, check to make sure that the item is intact and undamaged. If any parts are missing or broken, please call Harbor Freight Tools at the number shown on the cover of this manual as soon as possible.

ASSEMBLY INSTRUCTIONS



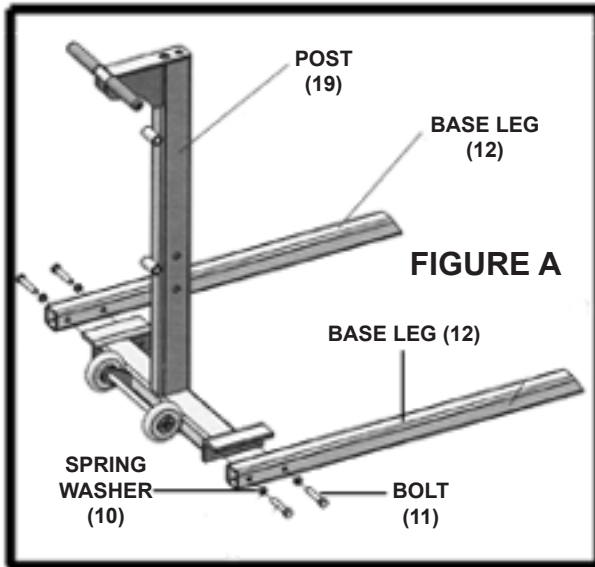
Read the ENTIRE IMPORTANT SAFETY INFORMATION section at the beginning of this manual including all text under subheadings therein before set up or use of this product.

⚠ WARNING TO PREVENT SERIOUS INJURY

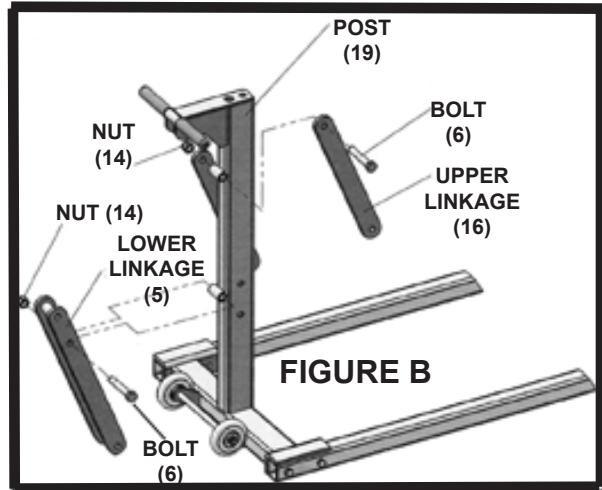
**FROM ACCIDENTAL OPERATION:
Release any load from the Motorcycle Lift before assembling or making any adjustments to the unit.**

Note: For additional information regarding the parts listed in the following pages, refer to the Assembly Diagram near the end of this manual.

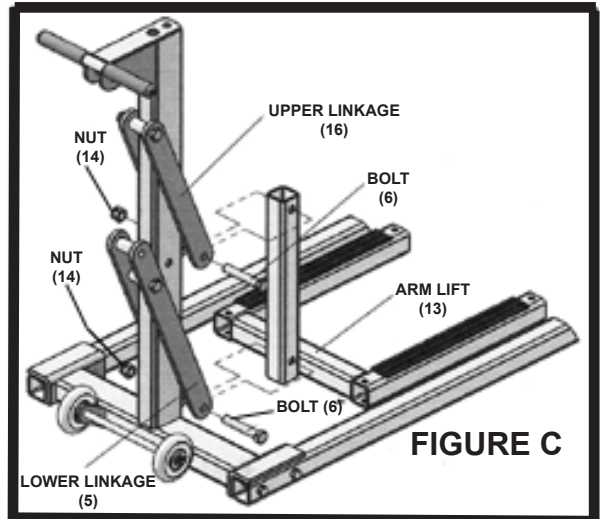
1. Attach the two Base Legs (12) to the Post (19) using four Bolts (11) and four Spring Washers (10).
(See Figure A.)



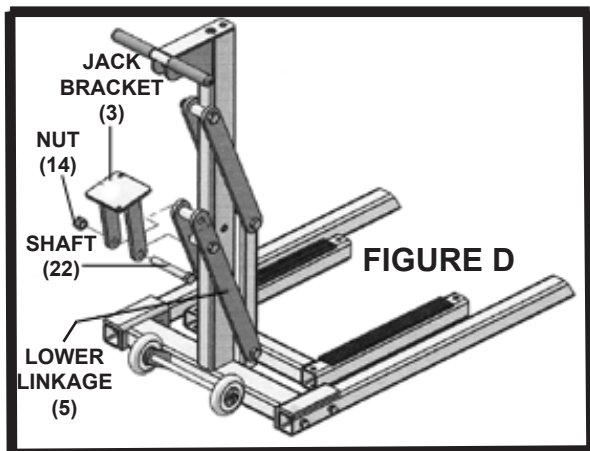
2. Attach the Upper Linkage (16) to the Post (19) using one Bolt (6) and one Nut (14). Attach the Lower Linkage (5) to the Post (19) using one Bolt (6) and one Nut (14). **(See Figure B.)**



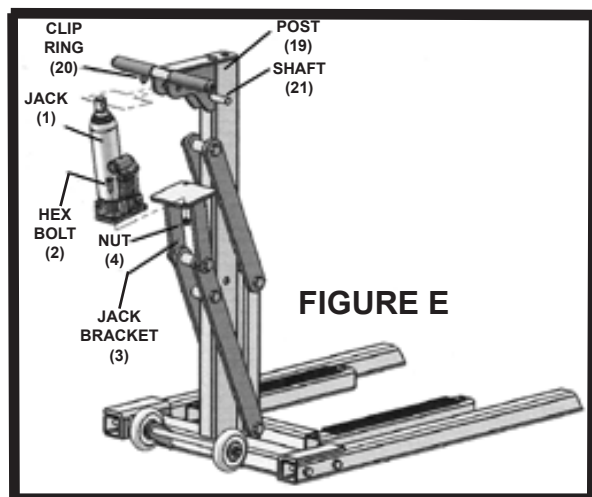
3. Attach the upper portion of the Arm Lift (13) to the Upper Linkage (16) using one Bolt (6) and one Nut (14). Attach the lower portion of the Arm Lift (13) to the Lower Linkage (5) using one Bolt (6) and one Nut (14).
(See Figure C.)



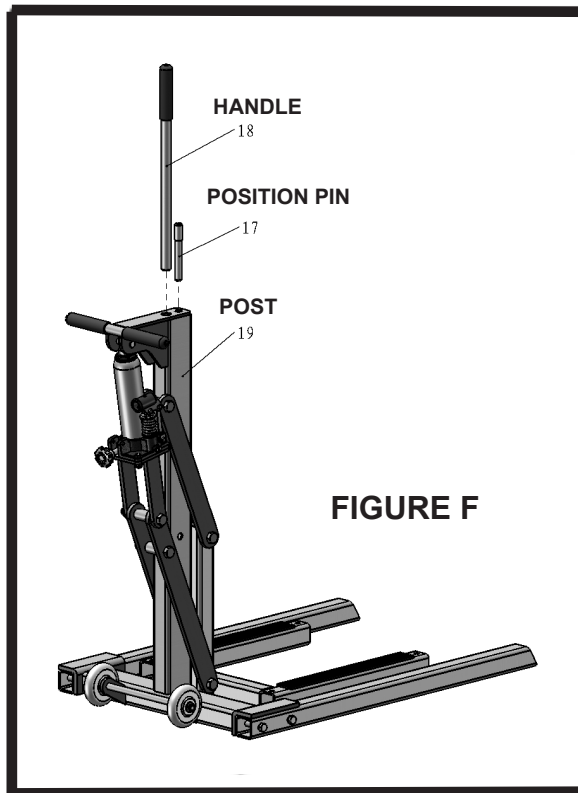
4. Attach the Jack Bracket (3) to the Lower Linkage (5) using one Shaft (22) and one Nut (14).
(See Figure D, next page.)



5. Attach the Jack (1) to the Jack Bracket (3) and Post (19) using two Hex Bolts (2), two Nuts (4), one Shaft (21), and one Clip Ring (20).
(See Figure E.)

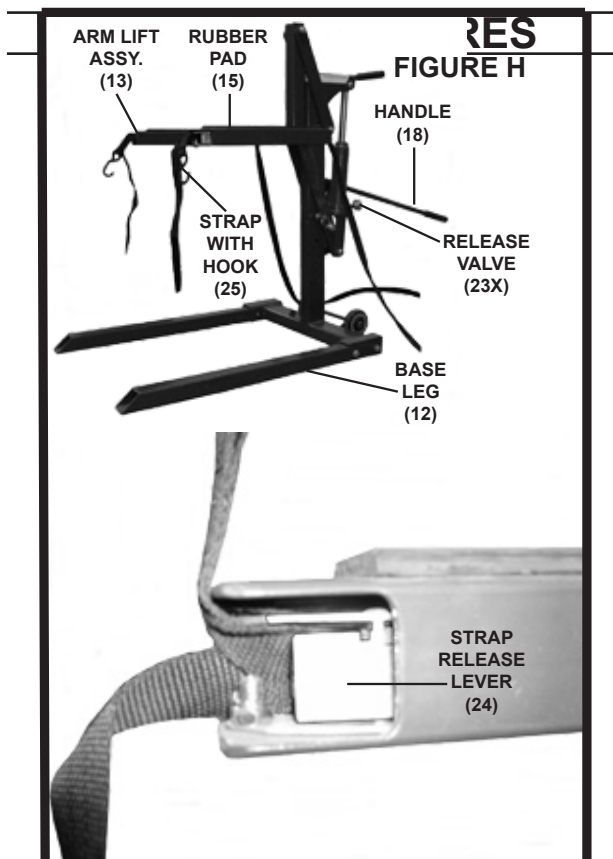
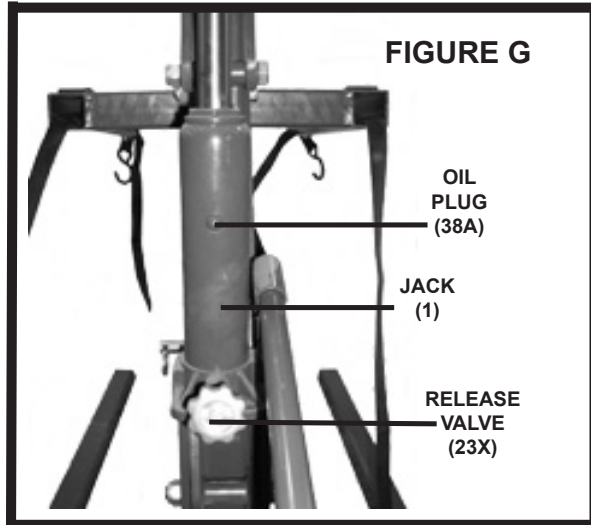


6. For storage purposes, insert the Handle (18) and Position Pin (17) into the top of the Post (19).
(See Figure F.)



7. **IMPORTANT:** After all assembly procedures are performed the hydraulic system of the Motorcycle Lift **MUST** be bled and filled with hydraulic oil (not included). To do so:
 - a. Remove the Oil Filler Plug.
(See Figure G.)
 - b. With the Oil Plug (38A) removed, use one foot to step on and keep the Arm Lift (13) assembly down, while you quickly pump the Handle (18) ten times. This will bring all of the air out of the system.
 - c. Continue pumping until no more air bubbles appear in the Oil Filler Receptacle.
 - d. Fill to the top of the Oil Filler Receptacle with hydraulic oil.
 - e. Replace the Oil Plug (38A).

- f. Test the Motorcycle Lift to make sure it is functioning properly before attempting to lift a load.
(See Figure G.)

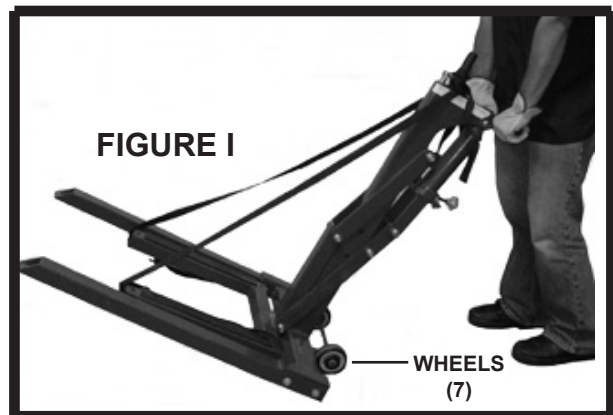


OPERATING INSTRUCTIONS



Read the **ENTIRE IMPORTANT SAFETY INFORMATION** section at the beginning of this manual including all text under subheadings therein before set up or use of this product.

1. To transport the Motorcycle Lift, grasp the Handle of the Post (19) firmly with both hands. Lower the Lift until the two Wheels (7) contact the floor surface, and slowly push the unit to its work location.
(See Figure I.)



2. Make sure the work location is a clean, dry, oil/grease free, level, floor surface capable of supporting the weight of the Motorcycle Lift, its load, and any other tools and equipment.
3. Check to make sure the Motorcycle Lift is fully lowered. If not, turn the Release Valve (23X) counterclockwise and allow the Arm Lift (13) to lower until it contacts the floor surface. Then turn the Release Valve clockwise until it stops.
(See Figure G.)
4. Slide the Arm Lift (13) under the motorcycle, making sure the Arm Lift is

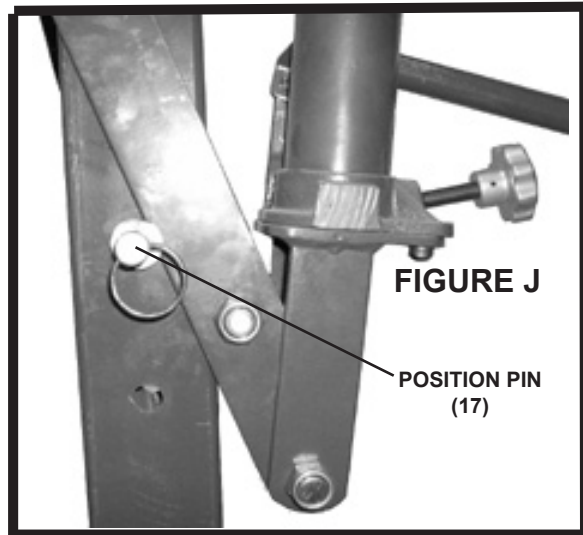
directly below the motorcycle manufacturer's recommended lifting points.

⚠ WARNING The engine of the motorcycle must be shut off prior to lifting the vehicle.

5. Slowly pump the Handle (18) of the Motorcycle Lift until the Arm Lift (13) *slightly* contacts the vehicle's lifting points. (See Figure H.)
6. Use the two Straps with Hooks (25) to secure the motorcycle to the Arm Lift (13). To do so, connect the two Hooks to a suitable location (i.e., the frame) on the motorcycle. Depress the two Strap Release Levers (24) on the Arm Lift. Pull each Strap to tighten and secure the vehicle to the Arm Lift. Then release pressure on the two Strap Release Levers. (See Figure H.)
7. Check to make sure the motorcycle is firmly secured to the Arm Lift (13). (See Figure H.)
8. With the Release Valve (23X) closed, slowly pump the Handle (18) of the Motorcycle Lift to raise the vehicle. Check to make sure the load is balanced. If not, lower the Motorcycle Lift completely. Reposition and secure the load. Then raise again. (See Figure H.)
9. Raise the motorcycle to the desired working height (from 2-1/2" to 30"). Then insert the Position Pin (17) into the Post (19) to lock the Arm Lift (13) in place. (See Figure J.)

⚠ WARNING ALWAYS lock the Arm Lift (13) in place with the Position Pin (17)

once the motorcycle has been raised. (See Figure J.)



10. Once the repair work on the motorcycle is completed, remove all used parts, tools, equipment, etc. from under the Motorcycle Lift.
11. Remove the Position Pin (17) from the Post (19). (See Figure J.)
12. Slowly turn the Release Valve (23X) counterclockwise to fully lower the two Arm Lifts (13) to the floor surface. (See Figure G.)
13. Once fully lowered, depress the Strap Release Lever (24) on each Arm Lift. Pull each Strap to loosen and remove the two Hooks securing the vehicle to the Arm Lifts. Then release pressure on the two Strap Release Levers. (See Figure H.)
14. Pull the Motorcycle Lift backwards until the two Arm Lifts (13) are completely out from under the motorcycle.
15. Transport the Motorcycle Lift to a clean, dry, safe storage location out of reach of children and other unauthorized persons.

MAINTENANCE AND SERVICING



Procedures not specifically explained in this manual must be performed only by a qualified technician.

⚠️ WARNING TO PREVENT SERIOUS INJURY

FROM ACCIDENTAL OPERATION:

Remove any load from the Motorcycle Lift before performing any inspection, maintenance, or cleaning procedures.

TO PREVENT SERIOUS INJURY FROM TOOL FAILURE:

Do not use damaged equipment. If abnormal noise or vibration occurs, have the problem corrected before further use.

Inspection, Maintenance, and Cleaning

1. BEFORE EACH USE, inspect the general condition of the Motorcycle Lift. Check for loose screws, misalignment or binding of moving parts, cracked or broken parts, damaged straps, and any other condition that may affect its safe operation.
2. TO BLEED LIFT OF EXCESS AIR AND FILL WITH HYDRAULIC OIL: See “**ASSEMBLY**” section in this manual for instructions.
(See pages 6 thru 7.)

⚠️ WARNING If the Lift fails to operate properly

after bleeding and filling with hydraulic oil, it **MUST NOT** be used until it is serviced by a qualified technician.

3. AFTER USE, clean the external surfaces of the Motorcycle Lift with a clean cloth.
4. WHEN STORING, make sure to store the Motorcycle Lift in a clean, dry, safe location out of reach of children and other unauthorized persons.

PLEASE READ THE FOLLOWING CAREFULLY

THE MANUFACTURER AND/OR DISTRIBUTOR HAS PROVIDED THE PARTS LIST AND ASSEMBLY DIAGRAM IN THIS MANUAL AS A REFERENCE TOOL ONLY. NEITHER THE MANUFACTURER OR DISTRIBUTOR MAKES ANY REPRESENTATION OR WARRANTY OF ANY KIND TO THE BUYER THAT HE OR SHE IS QUALIFIED TO MAKE ANY REPAIRS TO THE PRODUCT, OR THAT HE OR SHE IS QUALIFIED TO REPLACE ANY PARTS OF THE PRODUCT. IN FACT, THE MANUFACTURER AND/OR DISTRIBUTOR EXPRESSLY STATES THAT ALL REPAIRS AND PARTS REPLACEMENTS SHOULD BE UNDERTAKEN BY CERTIFIED AND LICENSED TECHNICIANS, AND NOT BY THE BUYER. THE BUYER ASSUMES ALL RISK AND LIABILITY ARISING OUT OF HIS OR HER REPAIRS TO THE ORIGINAL PRODUCT OR REPLACEMENT PARTS THERETO, OR ARISING OUT OF HIS OR HER INSTALLATION OF REPLACEMENT PARTS THERETO.

TROUBLESHOOTING

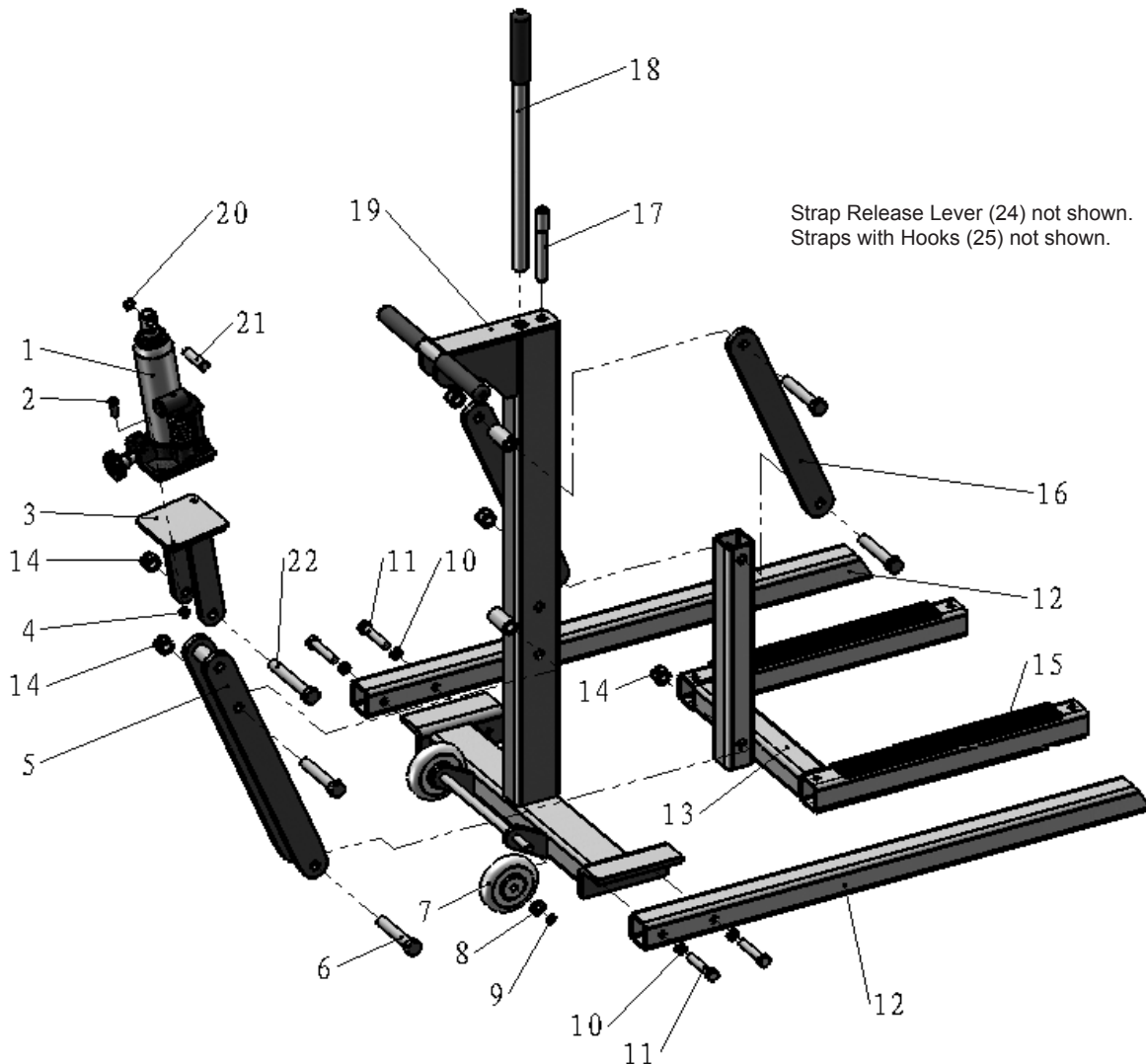
Problem	Possible Causes	Possible Solutions
Motorcycle Lift does not raise the Arm Lift assembly.	<ol style="list-style-type: none"> 1. Release Valve not closed. 2. Low hydraulic oil and/or excess air in system. 3. Lift capacity exceeded. 	<ol style="list-style-type: none"> 1. Turn the Release Valve fully clockwise. 2. Bleed system of excess air and fill with hydraulic oil. 3. Do not attempt to lift objects over 1100 pounds.
Motorcycle Lift does not lower the Arm Lift assembly.	<ol style="list-style-type: none"> 1. Release Valve not opened. 2. Position Pin not removed. 	<ol style="list-style-type: none"> 1. Turn the Release Valve fully counterclockwise. 2. Remove Position Pin.



Follow all safety precautions whenever diagnosing or servicing the tool. Remove any load on Motorcycle Lift before service.

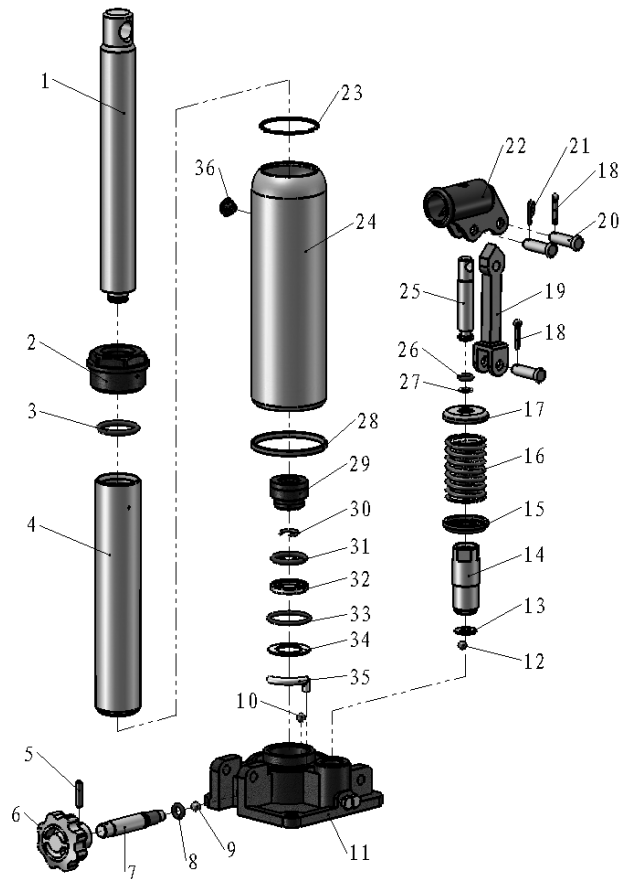
PARTS LIST & ASSEMBLY DIAGRAM

Part #	Description	Qty.	Part #	Description	Qty.
1	Jack	1	14	Nut (M16)	5
2	Hex Bolt (M8x60)	2	15	Rubber Pad	2
3	Jack Bracket	1	16	Upper Linkage	2
4	Nut (M8)	2	17	Position Pin	1
5	Lower Linkage	1	18	Handle	1
6	Bolt (M16x90)	4	19	Post	1
7	Wheel	2	20	Clip Ring (#10)	1
8	Washer (#12)	2	21	Shaft	1
9	Clip Ring (#12)	2	22	Shaft	1
10	Spring Washer (#12)	4	23A	Release Valve	1
11	Bolt (M12x65)	4	24	Strap Release Lever	2
12	Base Leg	2	25	Strap w/Hook	2
13	Arm Lift	1			



PARTS LIST & ASSEMBLY DIAGRAM - JACK

Part #	Description	Qty.	Part #	Description	Qty.
1A	Ram	1	19A	Linkage	1
2A	End Cap	1	20A	Pin 8x28	3
3A	Gasket	1	21A	R-Shaped Rin	1
4A	Cylinder	1	22A	Handle Socket	1
5A	Spring Pin 4x22	1	23A	Plastic Washer (top)	1
6A	Release Valve Knob	1	24A	Reservoir	1
7A	Release Valve Shaft	1	25A	Pump Core	1
8A	O Ring 7.5x2.36	1	26A	O Ring 6.6x3	1
9A	Steel Ball #7	1	27A	Seal	1
10A	Steel Ball (#6.5)	2	28A	Plastic Washer (Bottom)	1
11A	Base	1	29A	Ram Head	1
12A	Ball #6	1	30A	Wire Ring (16x1.6)	1
13A	Small Copper Washer	1	31A	Seal	1
14A	Pump Cylinder	1	32A	Cup Seal	1
15A	Spring Seat	1	33A	O Ring 36x2.4	1
16A	Spring	1	34A	Big Copper Washer	1
17A	Spring cover	1	35A	Oil Tube	1
18A	Cotter Pin 3.2x16	3	36A	Oil Plug	1



90 Day Warranty

Harbor Freight Tools Co. makes every effort to assure that its products meet high quality and durability standards, and warrants to the original purchaser that this product is free from defects in materials and workmanship for the period of 90 days from the date of purchase. This warranty does not apply to damage due directly or indirectly, to misuse, abuse, negligence or accidents, repairs or alterations outside our facilities, criminal activity, improper installation, normal wear and tear, or to lack of maintenance. We shall in no event be liable for death, injuries to persons or property, or for incidental, contingent, special or consequential damages arising from the use of our product. Some states do not allow the exclusion or limitation of incidental or consequential damages, so the above limitation of exclusion may not apply to you. THIS WARRANTY IS EXPRESSLY IN LIEU OF ALL OTHER WARRANTIES, EXPRESS OR IMPLIED, INCLUDING THE WARRANTIES OF MERCHANTABILITY AND FITNESS.

To take advantage of this warranty, the product or part must be returned to us with transportation charges prepaid. Proof of purchase date and an explanation of the complaint must accompany the merchandise. If our inspection verifies the defect, we will either repair or replace the product at our election or we may elect to refund the purchase price if we cannot readily and quickly provide you with a replacement. We will return repaired products at our expense, but if we determine there is no defect, or that the defect resulted from causes not within the scope of our warranty, then you must bear the cost of returning the product.

This warranty gives you specific legal rights and you may also have other rights which vary from state to state.

3491 Mission Oaks Blvd. • PO Box 6009 • Camarillo, CA 93011 • (800) 444-3353

Record Product's Serial Number Here: _____

Note: If product has no serial number, record month and year of purchase instead.

Note: Some parts are listed and shown for illustration purposes only, and are not available individually as replacement parts.