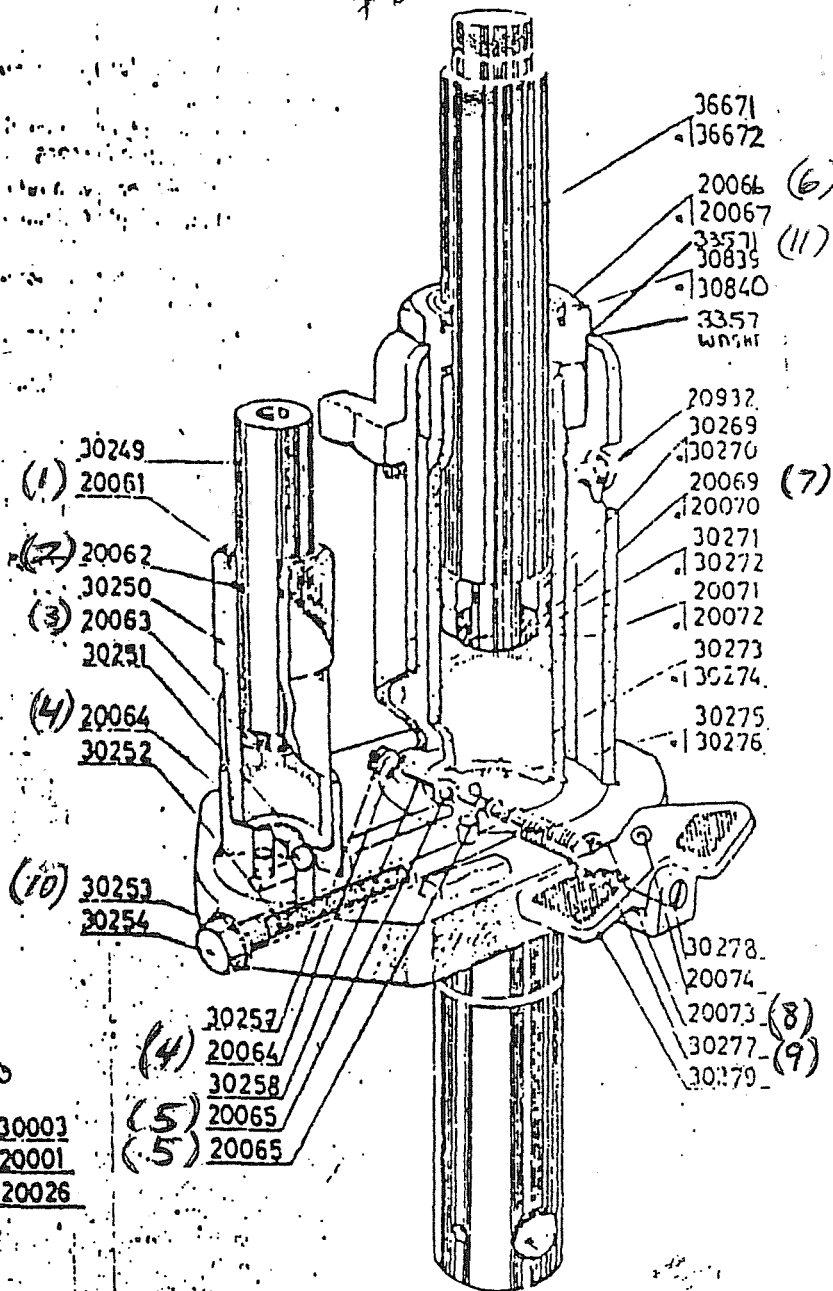
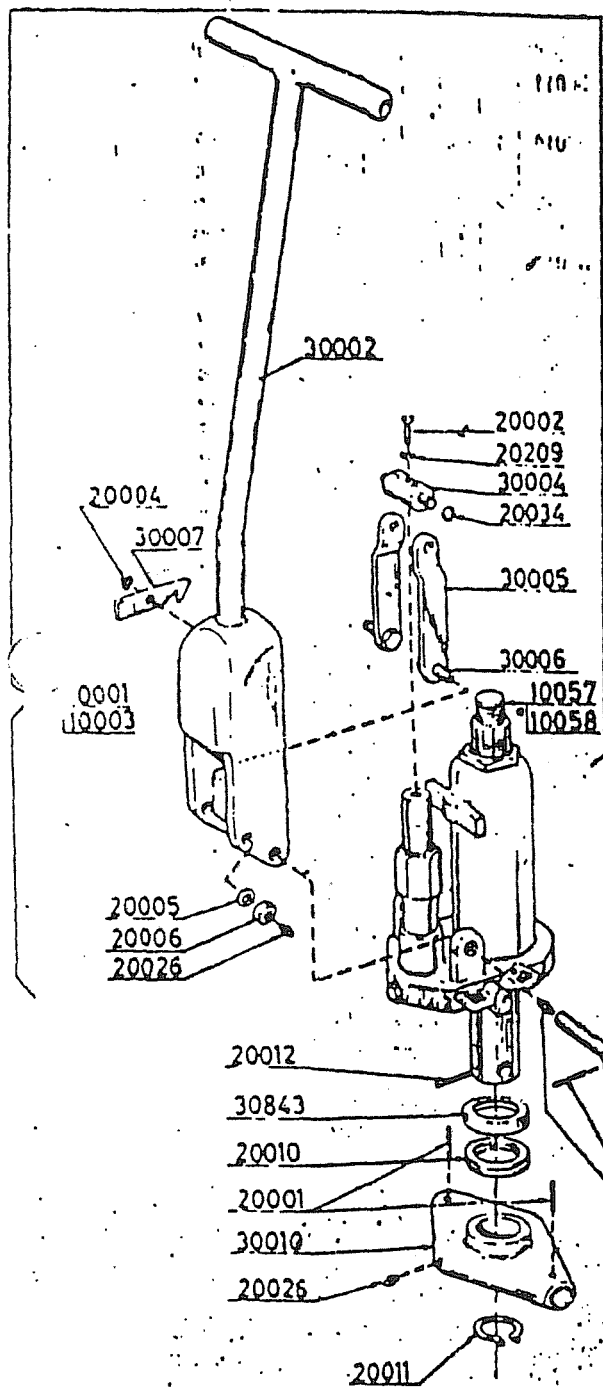


# BT 12H/20H

1 of 5



Numbers with an \* are applicable to BT 20 at double numbers. Single numbers are valid for both BT 12 and BT 20.

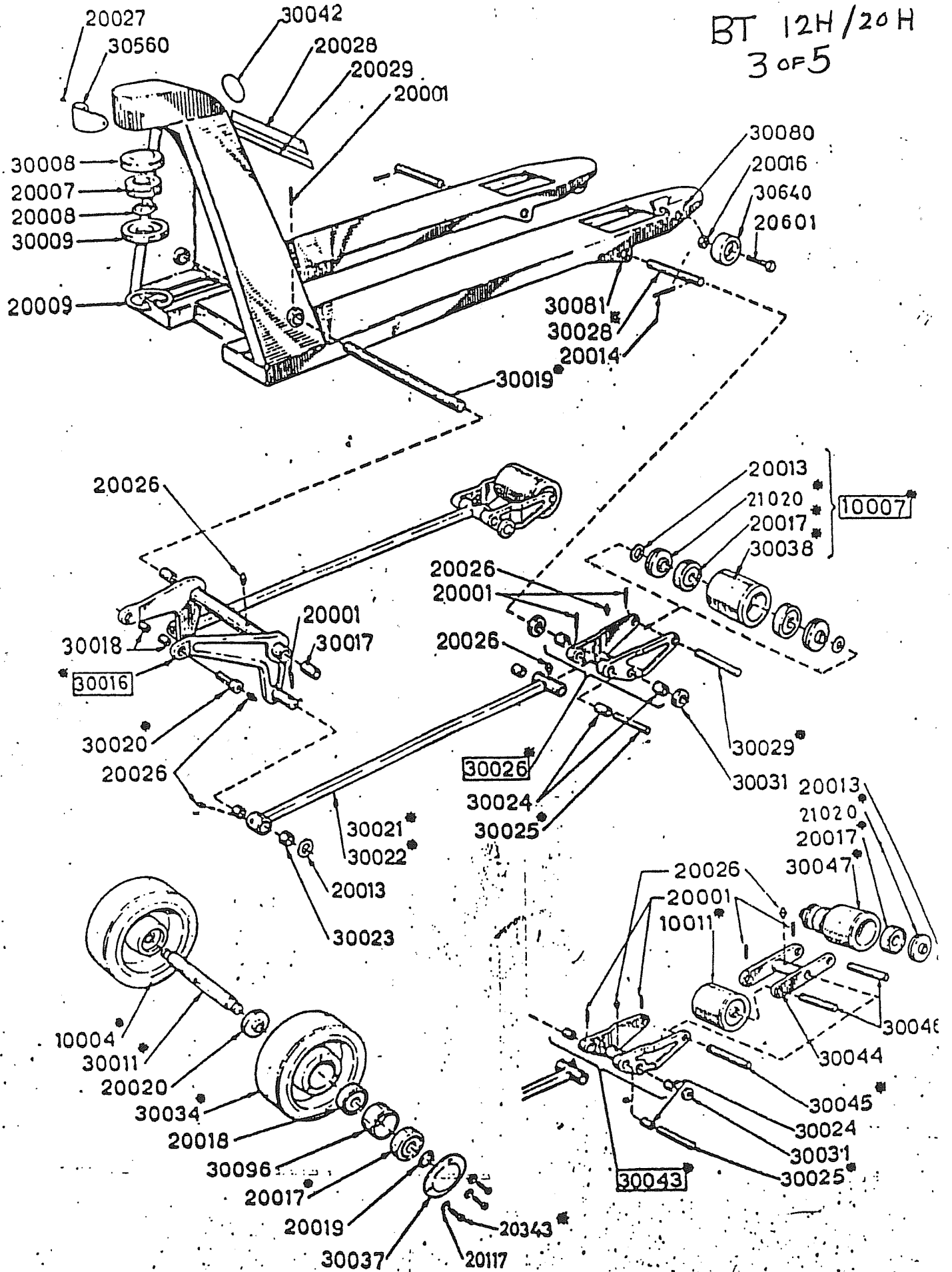
BT 12H/20H  
2 of 5

Hydraulic unit for Hand Pallet Truck BT 12 H and BT 20 H

Det. No.	Number/Unit		Description	Det. No.	Number/Unit		Description
	12 H/HB	20 H/HB			12 H/HB	20 H/HB	
10001	1	—	Hydraulic unit, compl. with pump rod	30010	1	1	Thrust plate
10003	—	1	Hydraulic unit, compl. with pump rod.	30249	1	1	Pump piston, standard
10057	1	—	Hydraulic unit	30250	1	1	Pump cylinder
10058	—	1	Hydraulic unit	30251	1	1	Packing washer for pump cylinder
20001	3	3	Locking pin	30252	1	1	Oil strainer
20002	1	1	Screw for pump yoke	30253	1	1	Packing washer for draining screw
20209	1	1	Lock washer for bolt to pump yoke	30254	1	1	Draining screw
20004	1	1	Lock ring for lock catch	30257	1	1	Screw for lowering duct
20005	2	2	Lock washer for shaft bolt	30258	1	1	Spacer pin for lowering duct
20006	2	2	Nut for shaft bolt	30269	1	—	Piston packing
20010	1	1	Thrust bearing	30270	—	1	Piston packing
20011	1	1	Lock ring under thrust plate	30271	1	—	Support ring for U-ring
20012	1	1	Locking pin for steering axle	30272	—	1	Support ring for U-ring
20028	8	5	Grease nipple	30273	1	—	Washer for pressure valve
20034	2	2	Lock ring for pump yoke	30274	—	1	Washer for pressure valve
20061	1	1	Scraper ring for pump cylinder	30275	1	—	Lock ring for pressure valve
20062	1	1	O-ring for pump cylinder	30276	—	1	Lock ring for pressure valve
20063	1	1	U-ring for pump piston	30277	1	1	Packing washer for lowering screw
20064	2	2	Ball for suction valve and lowering duct	30278	1	1	Lowering screw
20065	3	3	Ball for pressure, lowering and level valve	30279	1	1	Lowering pedal
20066	2	—	Scraper ring for lift piston	30581	1	1	Pump rod, 3/8"
20067	—	2	Scraper ring for lift piston	30838	1	—	Top nut, Compare 30840
20069	1	—	U-ring for lift piston	30840	—	1	Top nut, Compare 30839
20070	—	1	U-ring for lift piston	30843	1	1	Dust protection ring
20071	1	—	Pin for support ring	36871	1	—	Lift piston, standard
20072	—	1	Pin for support ring	36872	—	1	Lift piston, standard
20073	1	1	Packing ring for lowering screw				Special pistons
20074	1	1	Screw for lowering pedal	31872	1	1	Pump piston, stainless
20932	1	1	Filler screw	36848	1	—	Lift piston, stainless
30002	1	1	Pump rod	36849	—	1	Lift piston, stainless
30003	1	1	Shaft for pump rod				Packing Sets and Service Tools
30004	1	1	Pump yoke	10038	1	—	Compl. set of packings and valve balls
30005	2	2	Pump link	10039	—	1	Compl. set of packings and valve balls
30006	2	2	Shaft bolt for pump link	80121	1	—	Key for top nut
30007	1	1	Lock catch	80122	—	1	Key for top nut

2

BT 12H/20H  
3 of 5



# Hydraulic Hand Pallet Truck BT 12 H and BT 20 H

BI 141/20  
4 of 5

Det. No.	Number/truck				Description	Det. No.	Number/truck				Description
	BT 12 H		BT 20 H				BT 12 H		BT 20 H		
	H	HB	H	HB			H	HB	H	HB	
10004	2	2	2	2	Steering wheel of iron with rubber tread, compl. Compare 10005, 10006, 10059, 10284	21020	8	8	8	8	Sealing ring for fork wheel of iron. Compare 20905
10005	2	2	2	2	Steering wheel of iron, compl.	30008	1	1	1	1	Upper washer
10006	2	2	2	2	Steering wheel of nylon-reinforced bakelite, compl.	30009	1	1	1	1	Piston rod washer
10007	2		2		Single fork wheel of iron, compl. Compare 10009, 10100, 10285	30011	1	1	1	1	Steering axle standard. Compare 30837
10009	2		2		Single fork wheel of nylon-reinforced bakelite, compl. Compare 10007	30016	1	1	1	1	Torsion tube 520 mm (20 1/2) compl. Compare 30283
10011		4		4	Bogie wheel of iron, compl. Compare 10013, 10099, 10286	30017	2	2	2	2	Bushing for torsion tube
10013		4		4	Bogie wheel of nylon-reinforced bakelite, compl.	30018	2	2	2	2	Bushing for torsion tube arm
10059	2	2	2	2	Steering wheel of iron with vulkollan tread, compl.	30019	1	1	1	1	Torsion tube axle 520 mm (20 1/2). Compare 30841
10099		4		4	Bogie wheel of iron with vulkollan tread, compl.	30020	2	2	2	2	Arm bolt standard. Compare 30582
10100	2	4	2	4	Single fork wheel of iron with vulkollan tread, compl.	30021	2	2			Push rod for fork 1150 mm (45") Compare 30022, 30842, 30843, 30844, 30845, 30846, 30847, 30848, 30849, 32072, 32073, 38773, 38774, 38775, 38776.
10284	2	2	2	2	Steering wheel of nylon, compl.	30022			2	2	Push rod for fork 1150 mm (45"). Compare 30021
10285	2		2		Single fork wheel of nylon, compl.	30023	4	4	4	4	Bushing for push rod at torsion tube
10286		4		4	Bogie wheel of nylon, compl.	30024	8	8	8	8	Bushing for rear axle to push rod and wheel fork
20001	6	10	6	10	Locking pin	30025	2	2	2	2	Shaft for push rod, standard. Compare 30563
20007	1	1	1	1	Upper bearing	30026	2		2		Wheel fork, compl.
20008	1	1	1	1	Locking ring for piston rod washer	30028	2	2	2	2	Axle for wheel fork, standard. Compare 30564
20009	1	1	1	1	Locking ring for hydraulic unit	30029	2		2		Fork wheel axle, standard. Compare 30565
20013	6	10	6	10	Washer for push rod at torsion (2), fork wheel axle (4) and bogie wheel axle (6)	30031	4	4	4	4	Climber wheel by fork wheel
20014	2	2	2	2	Locking pin for wheel fork axle	30034	2	2	2	2	Steering wheel of iron with rubber tread. Compare 30035, 30036, 30524, 33026
20016	2		2		Nut for axle to rear climber wheel	30035	2	2	2	2	Steering wheel of iron
20017	6	10	6	10	Outer ball bearing for steering wheel (2) and for fork wheel of iron (4). Compare 20023	30036	2	2	2	2	Steering wheel of nylon-reinforced bakelite
20018	2	2	2	2	Inner ball bearing for steering wheel	30037	2	2	2	2	Hub cap for steering wheel
20019	2	2	2	2	Locking ring for steering wheel	30038	2		2		Single fork wheel of iron. Compare 30039, 30040, 31188, 33010
20020	2	2	2	2	Sealing ring for steering wheel	30040	2		2		Single fork wheel of nylon-reinforced bakelite
20023	4	8	4	8	Ball bearing for fork wheel of iron with tread of rubber or vulkollan and of nylon-reinforced bakelite or nylon	30042	1	1	1	1	Bt-Emblem
20028	8	10	8	10	Lubricating nipple	30043		2		2	Wheel fork for bogie, compl.
20027	2	2	2	2	Rivet for number plate	30044		2		2	Bogie link
20028	1	1	1	1	Plastic tape, broad	30045		2		2	Bogie axle, standard. Compare 30639
20029	1	1	1	1	Plastic tape, narrow	30046		4		4	Bogie wheel axle, standard. Compare 30638
20117	6	6	6	6	Locking washer for screw to hub cap	30047		4		4	Bogie wheel of iron. Compare 30049, 31077, 33009
20343	6	6	6	6	Screw for hub cap for steering wheel of iron, iron with rubber tread and iron with vulkollan tread. Compare 20938	30048		4		4	Bogie wheel of nylon-reinforced bakelite
20601	2		2		Axle for rear climber wheel	30080	2		2		Holder for rear climber wheel
20905	8	8	8	8	Sealing ring for wheel of iron with tread of rubber or vulkollan and of nylon-reinforced bakelite or nylon	30081	4	4	4	4	Hinge for wheel fork
20938	6	6	6	6	Screw for hub cap for steering wheel of nylon and nylon-reinforced bakelite	30098	2	2	2	2	Distance ring for steering wheel
						30293	1	1	1	1	Torsion tube 685 mm (27"), compl.
						30524	2	2	2	2	Steering wheel of iron with vulkollan tread
						30560	1	1	1	1	Number plate

(continues at page 8)

BT 12H/20H  
5 of 5

	Number/truck						Number/truck				
	BT 12 H		BT 20 H				BT 12 H		BT 20 H		
	H	HB	H	HB			H	HB	H	HB	
30502	2	2	2	2	Arm bolt of stainless steel	30648	2	2	—	—	Push rod for fork 1220 mm (40")
30503	2	2	2	2	Shaft for push rod of stainless steel						Compare 30021
30504	2	2	2	2	Axle for wheel fork of stainless steel	30649	—	—	2	2	Push rod for fork 1220 mm (48")
30565	2	—	2	—	Fork wheel axle of stainless steel	31077	—	4	—	4	Compare 30022
30637	1	1	1	1	Steering axle of stainless steel						Bogie wheel with vulkollan tread
30638	—	4	—	4	Bogie wheel-axle of stainless steel	31188	2	—	2	—	Single fork wheel with vulkollar tread
30639	—	2	—	2	Bogie axle of stainless steel						Push rod for 980 mm (38 1/2) Compare 30021
30640	2	—	2	—	Climber wheel of nylon in fork end	32072	2	2	—	—	Push rod for 980 mm (38 1/2) Compare 30021
30641	1	1	1	1	Torsion tube axle 685 mm (27")						Push rod for 980 mm (38 1/2) Compare 30022
30642	2	2	—	—	Push rod fork fork 810 mm (32")	32073	—	—	2	2	Compare 30022
					Compare 30021						Bogie wheel of nylon
30643	—	—	2	2	Push rod for fork 810 mm (32")	33009	—	4	—	4	Single fork wheel of nylon
					Compare 30022	33010	2	—	2	—	Steering wheel of nylon
30644	2	2	—	—	Push rod for fork 910 mm (36")	33026	2	2	2	2	Push rod for fork 1020 mm (40")
					Compare 30021	38773	2	2	—	—	Compare 30021
30645	—	—	2	2	Push rod for fork 910 mm (36")						Push rod for fork 1020 mm (40")
					Compare 30022	38774	—	—	2	2	Compare 30022
30646	2	2	—	—	Push rod for fork 1070 mm (42")	38775	—	—	2	2	Push rod for fork 1620 mm (60")
					Compare 30021						Compare 30022
30647	—	—	2	2	Push rod for fork 1070 mm (42")	38776	—	—	2	2	Push rod for fork 1830 mm (72")
					Compare 30022						Compare 30022

An \* at a Detail Number means that there are different exchangeable executions.