



# MODEL YA1642A 2 TON CAPACITY HYDRAULIC SERVICE JACK

## OWNER/OPERATOR MANUAL

### SAFETY INSTRUCTIONS

For your safety, *read, understand, and follow* the information provided with and on this jack. The owner and operator of this equipment shall have an understanding of this jack and safe operating procedures before attempting to use. The owner and operator shall be aware that the use and repair of this product may require special skills and knowledge. Instructions and safety information shall be conveyed in the operator's native language before use of this jack is authorized. If any doubt exists as to the safe and proper use of this jack, remove from service immediately.

**Inspect before each use.** Do not use if there are broken, bent, cracked, or damaged parts (including labels). Any jack that appears damaged in any way, operates abnormally or is missing parts, shall be removed from service immediately. If the jack has been or suspected to have been subjected to a shock load (a load dropped suddenly, unexpectedly upon it), immediately discontinue to use until jack has been checked by a Snap-on authorized service center. It is recommended that an annual inspection be done by qualified personnel. Labels and Operator's Manual are available from manufacturer.

### PRODUCT DESCRIPTION

Blue-Point Hydraulic Service Jack is designed to lift, **not** sustain, rated capacity loads. It is designed to be used in conjunction with jack stands. **Intended use:** To lift one wheel or one axle of a vehicle for the purpose of service and/or repair of vehicle components. After lifting, loads must be immediately supported by appropriately rated jack stands. Check with vehicle owner's manual for proper lift points.

**DO NOT DOLLY THE LOAD WITH THIS DEVICE!**

**DO NOT USE FOR ANY PURPOSE OTHER THAN THOSE USES OUTLINED!**

### ASSEMBLY

Familiarize yourself with the illustrations in the operator's manual. Know your jack and how it operates before attempting to use. Refer to Figure 1 on page 3 for components location. Tighten securely to prevent accidental removal of handle while in use.

1. Assemble the two-piece handle with provided bolt
2. Insert the handle into the handle fork.
3. Tighten the bolt securely to prevent accidental removal of handle while in use.

### BEFORE USE

1. Verify that the product and the application are compatible.
2. Read the owners manual completely and familiarize yourself thoroughly with the product, its components and recognize the hazards associated with its use **before** using this product.
3. Locate and open the release valve by turning it counterclockwise (no more than 1/2 full turn).
4. With saddle fully lowered, remove oil filler plug. Pump handle 6 to 8 strokes to vent the air in reservoir.
5. Ensure that oil level is within 3/16" from the inner cylinder as viewed from the oil filler hole. Reinstall the oil filler plug.
6. Close release valve by turning the handle clockwise until firm resistance is felt.
7. Roll the jack to ensure that it rolls freely before putting into service.
8. Raise and lower the unloaded saddle throughout the lift range to ensure proper operation of the pump and release valve before placing any load on the product.
9. Replace worn or damaged parts and assemblies with Snap-on Authorized Replacement Parts only. (See Replacement Parts Section). Lubricate as instructed in Maintenance Section.
10. Inspect before each use. Do not use if there are bent, broken, or cracked components.

## **WARNING**

- Study, understand, and follow all instructions provided with and on this device before operating this device.
- Do not exceed rated capacity.
- This is a lifting device only.
- After lifting, immediately transfer the load to appropriately rated vehicle stands.
- Never work on, under, or around a load supported only by this device.
- Use only on hard, level surfaces capable of sustaining rated capacity loads.
- Do not move or dolly loads with this device.
- Do not modify this device.
- Do not use adapters or accessories that are not provided initially.
- Lift only on areas of the vehicle as specified by the vehicle manufacturer.
- Failure to heed these markings may result in personal injury and/or property damage.

## **ADVERTENCIA**

Esta es una simple advertencia.  
Por favor lea las instrucciones y advertencias en inglés

## OPERATION

### Lifting

1. Place the vehicle in the park gear.
2. Engage emergency brake.
3. Securely chock wheels to prevent inadvertent vehicle movement.
4. Turn handle clockwise firmly to close release valve.
5. Center jack saddle under lift point.
6. Refer to the vehicle manufacturer's owner's manual to locate approved lifting points on the vehicle.
7. Verify lift point.
8. Pump handle to contact lift point.
9. Continue to pump handle until load reaches desired height.
10. Transfer the load immediately to appropriately rated jack stands.



(continued)

### Lowering

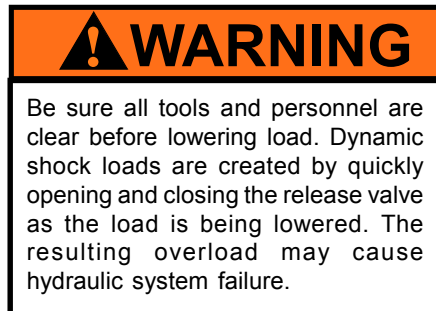
1. Raise load high enough to clear the jack stands.
2. *Carefully* remove jack stands (**always** used in pairs).
3. *Slowly* turn the handle counter-clockwise, but no more than 1/2 turn.

#### If the load fails to lower:

- a. Use another jack to raise the vehicle high enough to reinstall jack stands.
- b. Remove the malfunctioning jack and then the jack stands.
- c. Using the other jack, lower the load by turning the operating handle counterclockwise, but no more than 1/2 turn.

**Note:** Close release valve by turning the handle clockwise and open release valve by turning the handle counterclockwise.

4. Push saddle down to reduce ram exposure to rust and contamination after removing jack from under the load.



## MAINTENANCE

**Important:** Use only a good grade hydraulic jack oil. Avoid mixing different types of fluid and **Never** use brake fluid, turbine oil, transmission fluid, motor oil or glycerin. Improper fluid can cause failure of the jack and the potential for sudden and immediate loss of load. We recommend Mobil DTE 13M or equivalent.

### Adding oil

1. With saddle fully lowered set jack in its upright, level position. Locate and remove oil filler plug.
2. Fill with oil until ~3/16" above the inner cylinder as seen from the oil filler hole. Reinstall the oil filler plug.

### Changing oil

For best performance, replace the hydraulic fluid completely annually.

1. With saddle fully lowered, remove oil filler plug.
2. Lay the jack on its side and drain the fluid into a suitable container.

**Note:** Dispose of hydraulic fluid in accordance with local regulations.

3. Fill with oil until ~3/16" above the inner cylinder as seen from the filler hole. Reinstall the oil filler plug.

### Lubrication

A periodic coating of light lubricating oil to pivot points, axles and hinges will help to prevent rust and assure that wheels, casters and pump assemblies move freely.

### Cleaning

Periodically check the pump piston and ram for signs of rust or corrosion. Clean as needed and wipe with an oily cloth.

**Note:** Never use sandpaper or abrasive material on these surfaces!

### Storage

Lower the saddle to its lowest position when not in use.

## TROUBLESHOOTING

Symptom	Possible Causes	Corrective Action
Jack will not lift load	<ul style="list-style-type: none"> <li>• Release valve not tightly closed</li> <li>• Overload condition</li> </ul>	<ul style="list-style-type: none"> <li>• Ensure release valve tightly closed</li> <li>• Remedy overload condition</li> </ul>
Jack will lift, but not maintain pressure	<ul style="list-style-type: none"> <li>• Release valve not tightly closed</li> <li>• Overload condition</li> <li>• Hydraulic unit malfunction</li> </ul>	<ul style="list-style-type: none"> <li>• Ensure release valve tightly closed</li> <li>• Remedy overload condition</li> <li>• Contact Snap-on Technical Service</li> </ul>
Jack will not lower after unloading	<ul style="list-style-type: none"> <li>• Reservoir overfilled</li> <li>• Linkage binding</li> </ul>	<ul style="list-style-type: none"> <li>• Ensure load is removed, then drain oil to proper level</li> <li>• Clean and lubricated moving parts</li> </ul>
Poor lift performance	<ul style="list-style-type: none"> <li>• Oil level low</li> <li>• Air trapped in system</li> </ul>	<ul style="list-style-type: none"> <li>• Ensure proper oil level</li> <li>• With ram fully retracted, remove oil filler plug to let pressurized air escape, then reinstall oil filler plug</li> </ul>
Will not lift to full extension	<ul style="list-style-type: none"> <li>• Oil level low</li> </ul>	<ul style="list-style-type: none"> <li>• Ensure proper oil level</li> </ul>

## - KNOW YOUR PRODUCT -

MODEL	CAPACITY	MIN. Height	MAX. Height	SADDLE DIA.	HANDLE LENGTH	JACK SIZE ( L x W x H )	Net Weight
YA1642A	2 Ton	5"	19 1/2"	5 1/2"	42 1/8"	25 3/8" x 13 1/8" x 6 1/2"	66.5 lb.

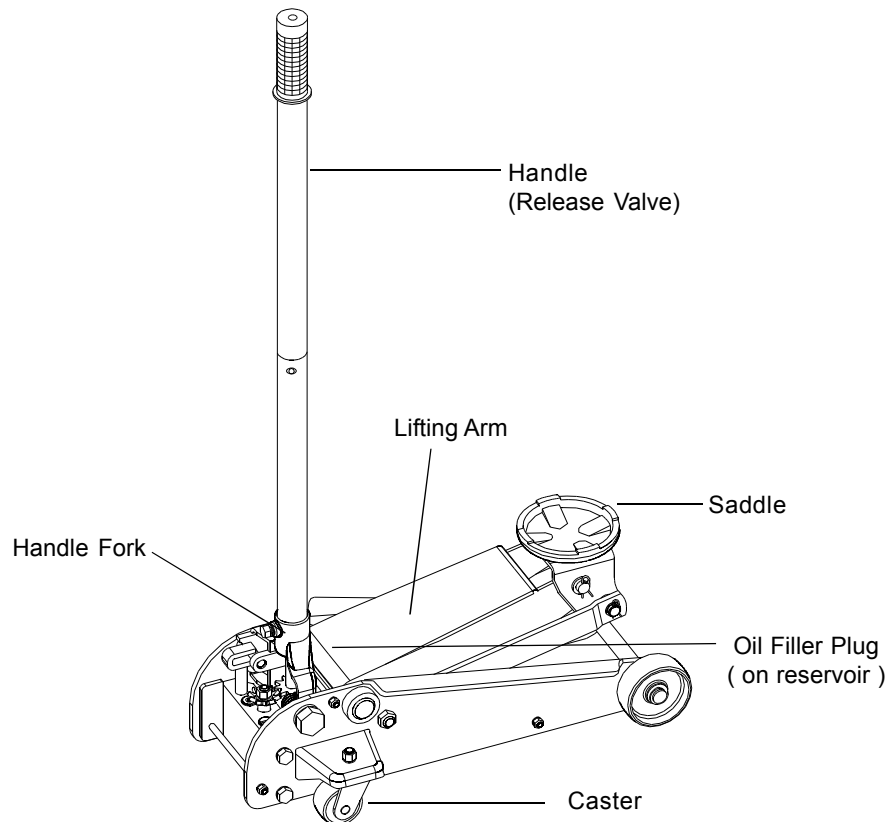


Figure 1 - Model YA1642A Components

## REPLACEMENT PARTS

Please refer to the Parts drawing when ordering parts. Not all components of the jack are replacement items, but are illustrated as a convenient reference of location and position in the assembly sequence. When ordering parts, give Model number, serial number and description below. Write for current pricing: Snap-on Tools Company, 2801 80<sup>th</sup> Street Kenosha, WI 53141-1410

Model YA1642A

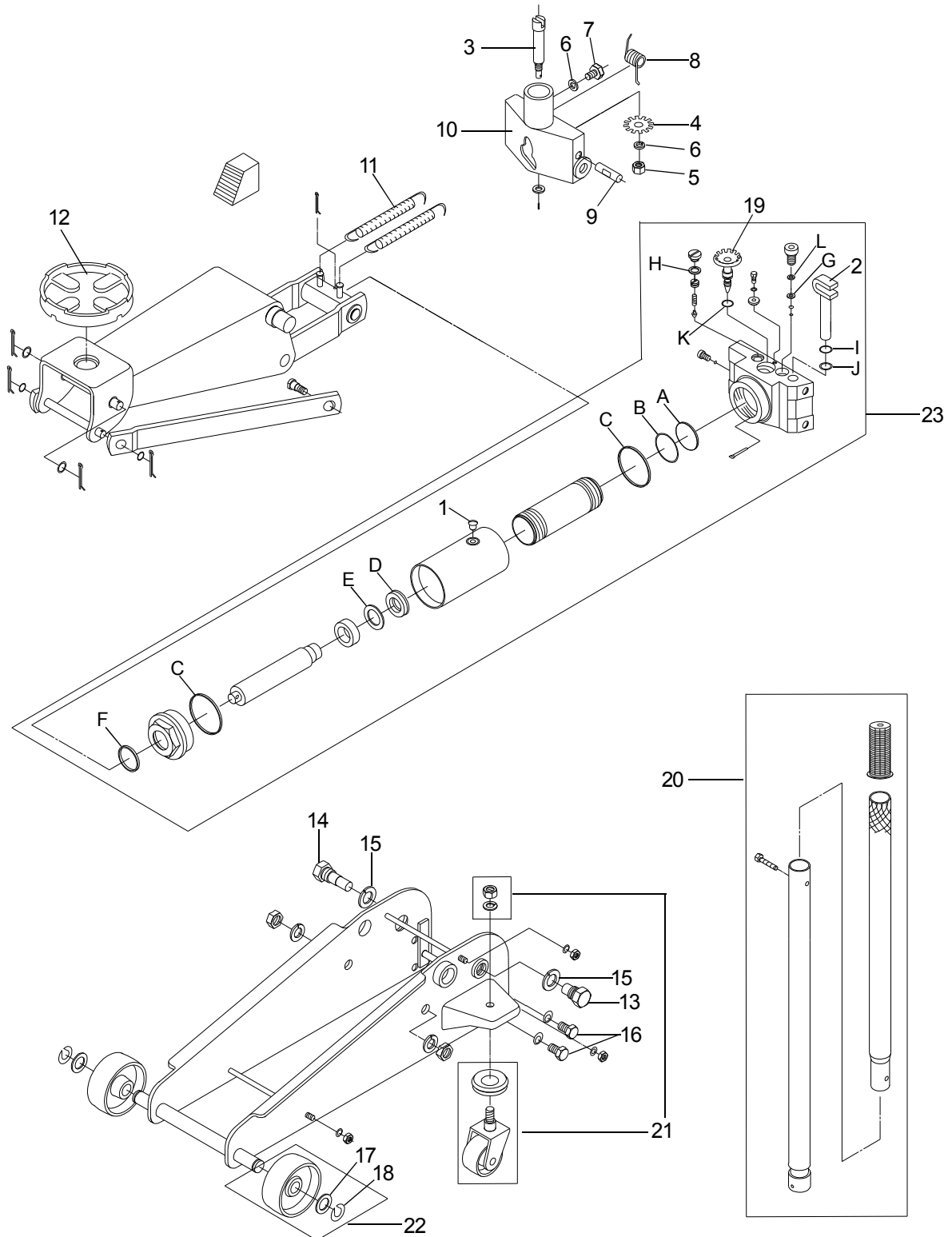


Figure 2 - Replacement Parts Illustration for YA1642A

**Replacement Parts List for model YA1642A**

<b>Item#</b>	<b>Part#</b>	<b>Description</b>	<b>Qty.</b>
1	F36100-0001	Oil Filler Plug	1
2	G48900-0023	Pump Piston	1
3	G48900-0017	Release Valve Connecting Bar	1
4	G48900-0016	Release Valve Gear	1
5	G59305-0003	Nut M10	1
6	G59305-0005	Lock Washer f10	2
7	G48900-0024	Bolt M10x16	1
8	G48900-0001	Return Spring, Handle Fork	1
9	G48900-0015	Pin	1
10	G58900-0002	Handle Fork	1
11	G48900-0011	Return Spring	2
12	G48900-0022	Saddle	1
13	G48900-0018	Handle Bolt, Left	1
14	G48900-0020	Handle Bolt, Right	1
15	G59305-0006	Lock Washer f20	2
16	G48900-0019	Bolt M12	4
17	G59305-0004	Washer f18	2
18	G59305-0007	E-ring f15	2
19	G48900-0004	Release Valve	1
20	G48900-0003	Handle Assembly	1
21	G48900-0006	Caster Assembly	2
22	G48900-0007	Front Wheel Assembly	2
23	G49000-0001	Hydraulic Power Unit	1
24	G48903-0000	Seal Kit for Power Unit (1, A~L)	-
25	YA1642A-L0	Label(s)	-
26	YA1642A-M0	Manual	-

**Seal Kit G48903-0000 contains:**

<b>Item</b>	<b>Description</b>	<b>Qty.</b>
1	Oil Filler Plug	1
A	O-ring	1
B	Back-up Washer	1
C	O-ring	2
D	U-cup	1
E	Back-up Washer	1
F	O-ring	1
G	O-ring	1
H	O-ring	1
I	Back-up Washer	1
J	O-ring	1
K	O-ring	1
L	Back-up Washer	1

---

## LIMITED WARRANTY STATEMENT

Snap-on Tools warrants this product to be free from defects in material and workmanship for a period of 1 year from date of purchase. This warranty applies to the original purchaser (end user) only and is not transferable. Damaged components and assemblies i.e. bent ram and pump pistons, dented reservoirs, cracked or altered components, are the result of mis-use, mis-application or a combination of both. These conditions will not be considered for warranty credit. We have complete confidence that the Snap-on product you purchase will meet or exceed your performance requirement. However in the unlikely event that a Snap-on product fails due to material or workmanship defect within the warranty period you may contact your retailer for disposition or you may contact an Authorized Service Center listed in the product owner's manual. Except where such limitations and exclusions are specifically prohibited by law, the consumer's sole and exclusive remedy shall be the repair or replacement of the defective product. Snap-on shall not be liable for any consequential or incidental damage or loss whatsoever, and the duration of any and all expressed and implied warranties, including without limitation, any warranties of merchantability and fitness for a particular purpose, is limited to a period of 1 year from date of purchase. Some States do not allow the exclusion or limitation of incidental or consequential damages, so the above may not apply to you. This warranty gives you specific legal rights. You may also have other rights which vary from state to state.

---

Manufactured for Snap-on Tools Company  
2801 80<sup>th</sup> Street Kenosha, WI 53141-1410  
Made in China





**memo.**

A series of horizontal lines provided for writing the memo.