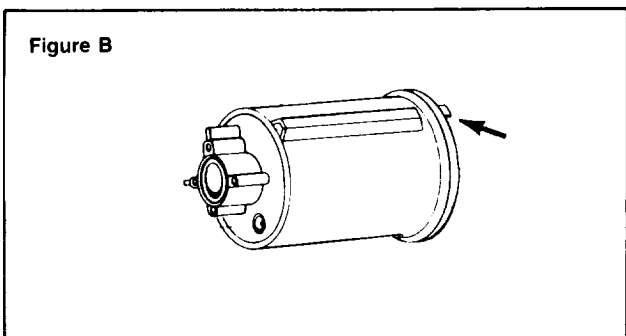
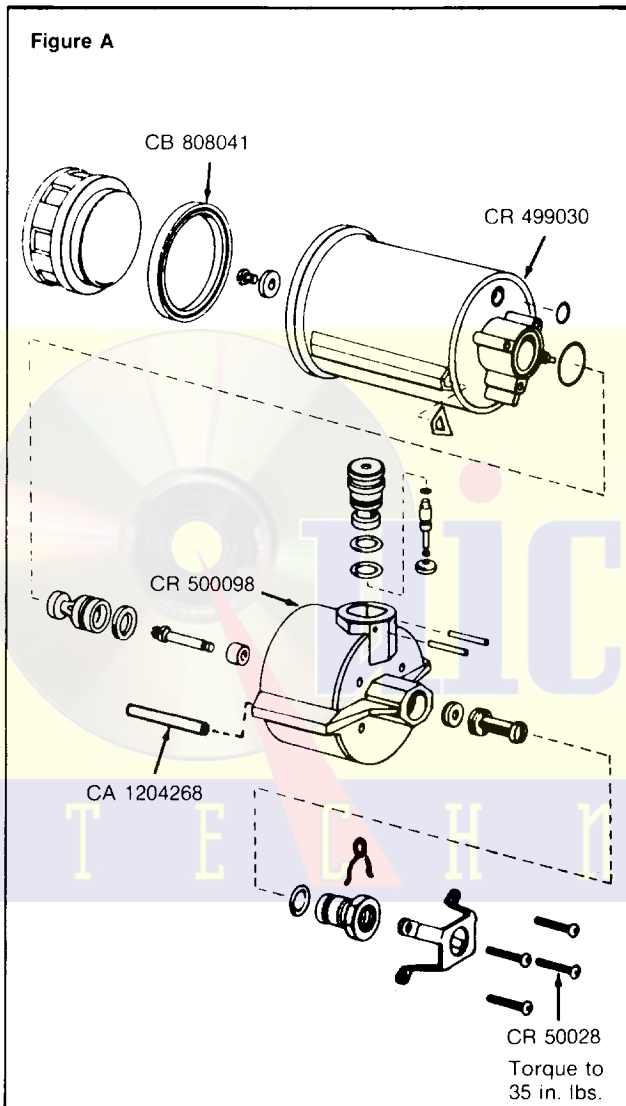


### AIR MOTOR REPLACEMENT KIT FOR B65426, B65428, B67409, B67415, B67417, B67576, B67580, B67582, B67584



#### CONTENT LIST

- |                        |                     |
|------------------------|---------------------|
| 1 - CR 499030 Cylinder | 1 - CB 808041 U-Cup |
| 1 - CR 500098 Cover    | 1 - CA 1204268 Tube |
| 4 - CR 50028 Screws    |                     |

#### APPLICATIONS

- 65426 • 65428 (Prior to date code stamp 0185)  
67409-B  
67415-F, H  
67417-D, E, F  
67576-B
- |            |
|------------|
| 67580-C    |
| 67582-C    |
| 67584-B, C |

#### IMPORTANT

All the parts contained in U35X1 kit must be used; remove and discard any part which is directly replaced by a kit part. Tolerances built into the new cover and cylinder will not permit mixing old and new parts.

#### ASSEMBLY OF KIT PARTS

Refer to assembly drawing (Fig. A) for Air Motor Assembly. Both a new cover (CR 500098) and cylinder (CR 499030) are used with the addition of an air tube (CA 1204268). The mounting screws are replaced by self-tapping screws (CR 50028).

**The air tube must be installed in cover prior to assembling to cylinder.**

**NOTE - Models 67409, 67415, 67417, 67580, 67582 only**

Prior to assembly, cut off plastic locating tab (Fig. B) flush with outside cylinder surface using sharp knife or razor blade. File or sand surface smooth.