

# BLACKHAWK®

GENERAL  
SERVICE  
EQUIPMENT

CATEGORY A

820-31116

PUBLICATION NUMBER



**TRI-CITY HYDRAULIC JACK SERVICE**  
4628 N. Florida Avenue  
Tampa, Florida 33603-3700  
(813) 232-1280

## REPAIR PARTS LIST FOR

**25-TON PRESS**

**BRAND NAME**

**BLACKHAWK  
BLACKHAWK**

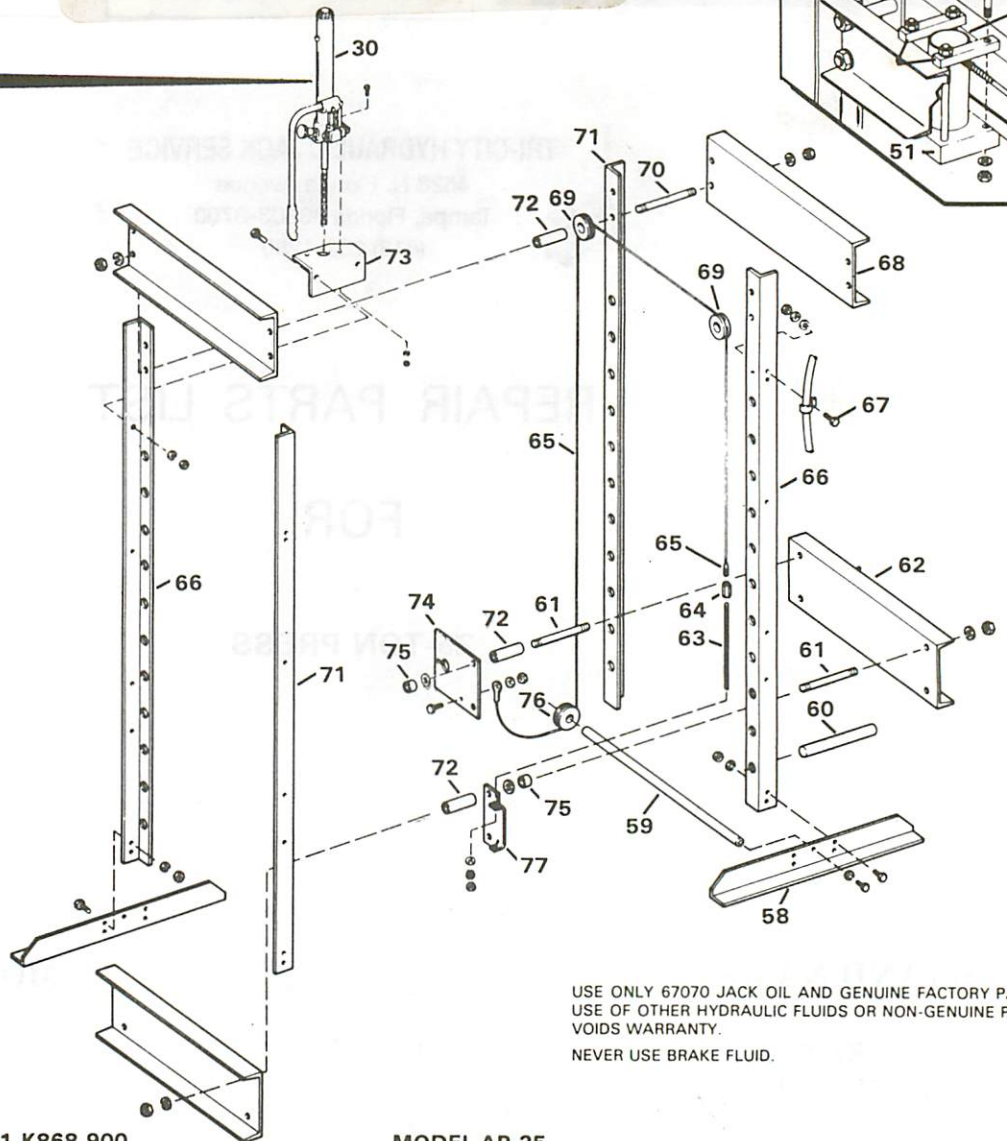
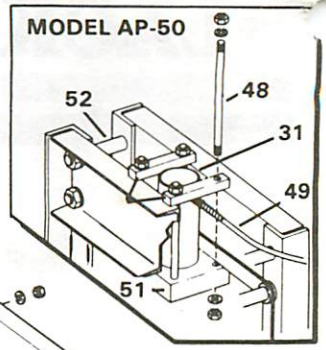
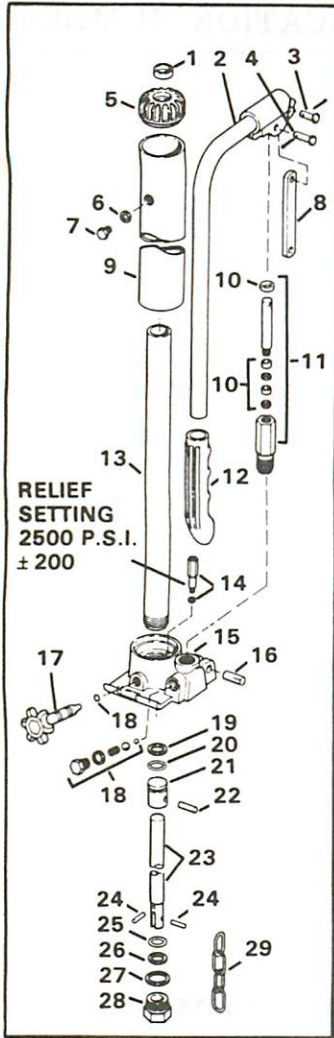
**MODEL NUMBER**

**67610  
AP25**

# TRI-CITY HYDRAULIC JACK SERVICE

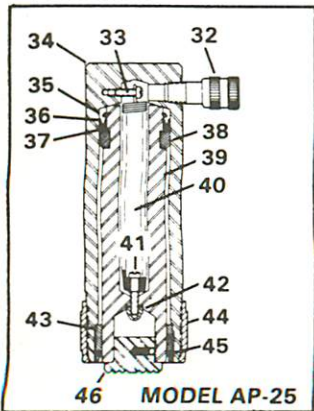
4628 N. Florida Avenue  
Tampa, Florida 33603-3700  
(813) 232-1280

## HYDRAULIC POWER UNIT K96.900

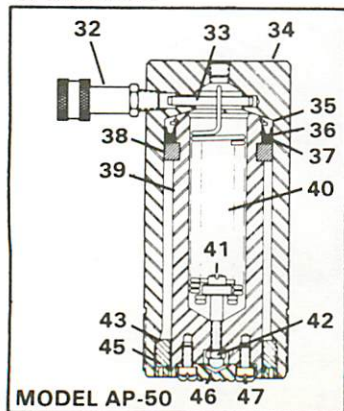


USE ONLY 67070 JACK OIL AND GENUINE FACTORY PARTS.  
USE OF OTHER HYDRAULIC FLUIDS OR NON-GENUINE PARTS  
VOIDS WARRANTY.  
NEVER USE BRAKE FLUID.

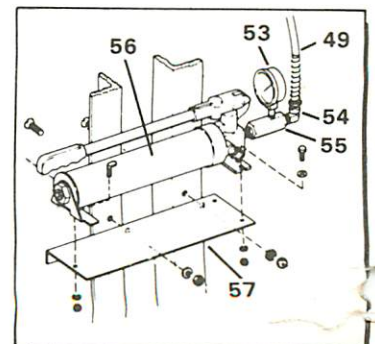
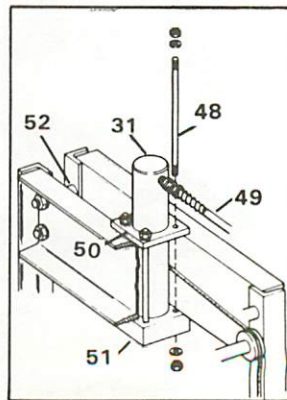
### 31-K914.900



### 31-K868.900



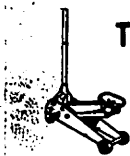
### MODEL AP-25



# REPAIR PARTS LIST

Item No.	Part No.	No. Req.	Description	Item No.	Part No.	No. Req.	Description
1	F960.006	1	Plug	41	R210.155-1	1	Bushing
2	K18.070	1	Handle w/Grim	42	L342.055	1	Nut
3	TC7.57	1	Pin	*	B180.167	1	Gasket
*	1.58	2	Cotter Pin	43	K13.044	1	Ring
4	J19.57	1	Pin	*44	G732.044	1	Wiper
5	K982.020	1	Cap	45	L345.045	1	Saddle
*6	C9.37	1	Gasket	46	L661.028	2	Screw
7	C9.22-2	1	Plug	*	K868.900X	*	Repair Kit (Ram Only)
8	BA85.62-2	1	Link	(Kits K914.900X and K868.900X include those items from 31 to 47 with an asterisk.)			
9	K996.025	1	Reservoir	47	M339.305	4	Stud
*10	U30X-3	1	Pump Kit	48	K1.646	1	Hose
11	K584.900	1	Pump	49	M337.145	2	Plate
12	B525.550	1	Grip	50	M341.101	1	Block
13	J19.30	1	Cylinder	51	M141.186	4	Spacer
14	C949.900	1	Relief Valve	52	K860.023	1	Cage
*	S3.037	1	Gasket	53	K2.291	1	Elbow
15	F438.005	1	Base	54	K5.038	1	Adapter
16	K494.061	1	Pin	55	K93.900	1	Pump
17	K2.010	1	Valve w/Knob	(Repair parts for K93.900 pump are shown on P-420 Parts Sheets, PS-437)			
*18	U30X-4	1	Valve Kit	56	M491.111	1	Bracket
*19	M761.562	1	Wiper	57	M136.630	2	Foot
*20	M760.041	1	"O" Ring	58	M201.149	1	Rod
21	C644.051	1	Piston	59	M139.149	2	Rod
22	C643.061	1	Pin	60	M218.305	4	Stud
23	F578.040	1	Plunger	61	M144.634	2	Channel
24	M87.061	2	Pin	62	M451.305	1	Stud
*25	C213.167	1	Gasket	63	M452.034	1	Coupler -
*26	F752.041	1	"O" Ring	64	M212.647	1	Rope
*27	B269.562	1	Wiper	65	M135.630	2	Leg, L.H.
28	C170.055	1	Nut	66	M495.017	1	Strap
29	G49.066	1	Chain	67	M134.634	2	Channel
30	K96.900	1	Power Unit (Less Items 2, 8, 28)	68	M206.106	2	Pulley
*	K96.900X	*	Repair Kit (Jack Only)	69	M140.305	4	Stud
(K96.900X Kit includes those items from 1-30 with an asterisk.)				70	M193.630	2	Leg, R.H.
31	K868.900	1	Ram	71	M142.186	4	Spacer
32	K4.034	1	Coupler (Ram Half)	72	G51.111	1	Bracket
33	L344.061	1	Anchor	73	G94.101	1	Plate
34	L351.030	1	Base	74	M264.186	4	Spacer
35	L339.044	1	Ring	75	M205.106	1	Pulley
	L340.108	1	Washer	76	M489.101	1	Anchor
*36	L338.041	1	Cup	†	K3.034	1	Coupler (Hose End)
*37	L337.108	1	Wiper	†	K2.034	1	Coupler (Complete)
	L343.108	1	Washer				
38	L341.107	1	Bearing				
39	L347.040	1	Plunger				
40	R210.184	1	Spring				
41	R210.143-1	1	Screw				

† Not Shown



## TRI-CITY HYDRAULIC JACK SERVICE

4628 N. Florida Avenue  
Tampa, Florida 33603-3700  
(813) 232-1280

**BLACKHAWK AUTOMOTIVE, INC.**  
**P.O. Box 25900**  
**Milwaukee, WI 53225-0900**  
**(414) 464-3314**

**BLACKHAWK AUTOMOTIVE INC.**