

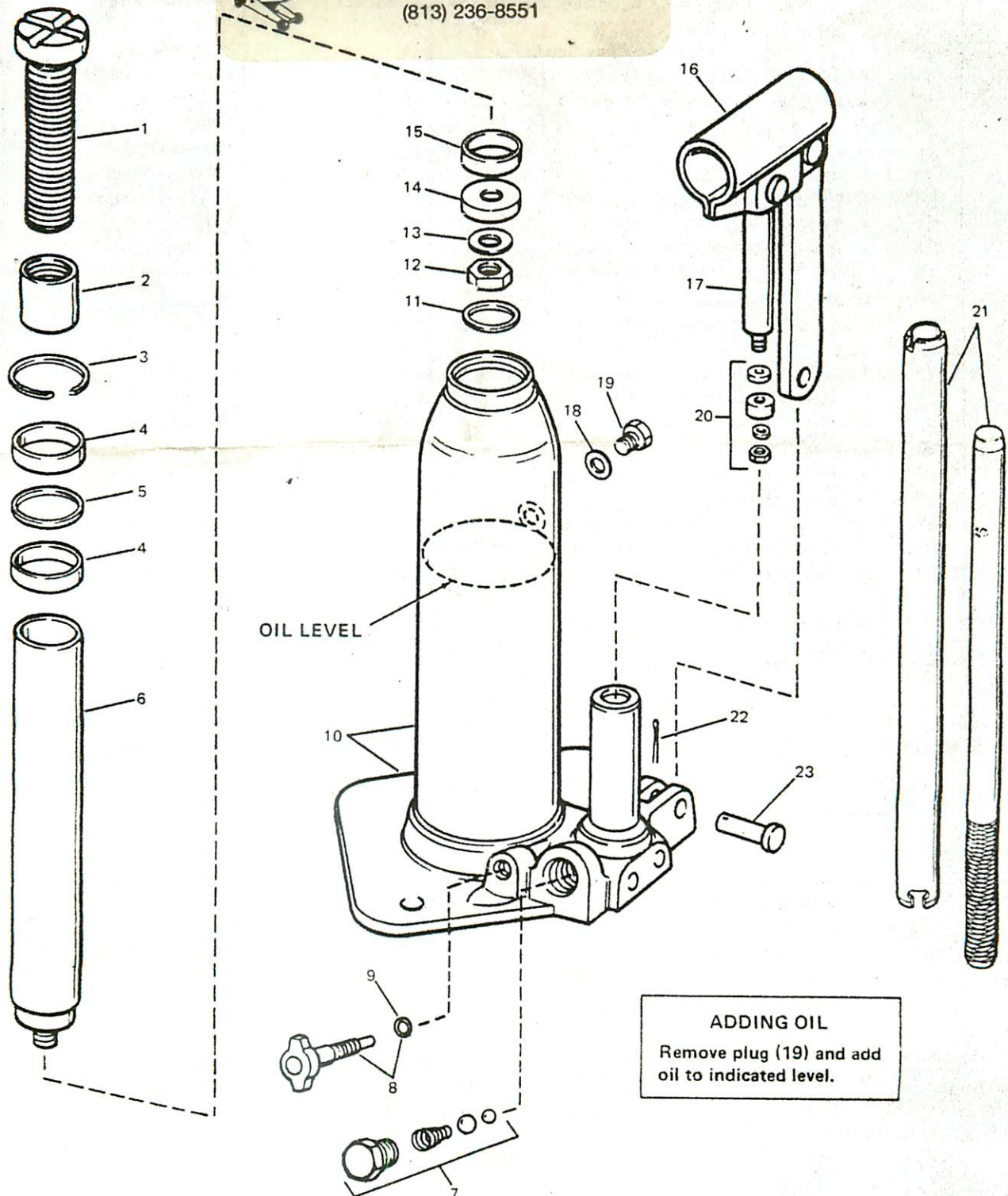


# Lifting Equipment

67245  
**Automotive Product Service Division**  
**MODEL AMERICAN AH-107W, AH-309W, AH-509W, AH-809W, AH-1209W**  
**BLACKHAWK 67237, 67239, 67240, 67242, 67245**  
**ISSUED MAY 28, 1976**  
**SUPERSEDES NEW**

**TRI-CITY HYDRAULIC JACK SERVICE**  
 4628 N. Florida Avenue  
 Tampa, Florida 33603-3700  
 (813) 236-8551

**HAND JACKS**  
 CAPACITY: 1-1/2, 3, 5, 8 and 12 TONS



**ADDING OIL**  
 Remove plug (19) and add oil to indicated level.

## REPAIR PARTS LIST

Item No.	1-1/2 Ton	3 Ton	5 Ton	8 Ton	12 Ton	No. Req.	Description
1	K42-028	K43-028	K44-028	K45-028	K46-028	1	Extension Screw
2	K2-446	K3-446	K4-446	K5-446	K6-446	1	Sleeve
3	K21-044	K22-044	K25-044	K28-044	K32-044	1	Retaining Ring
4	K20-044	K23-044	K27-044	K29-044	K30-044	2	Giand Ring
5	B1226-503	B1229-503	B1233-503	B1263-503	B1091-503	1	Rectangular Seal*
6	K31-040	K32-040	K33-040	K34-040	K35-040	1	Plunger
u34x8 - 7	U30X51	U30X51	U30X51	U30X51	U30X51	1	Valve Kit*
8	K166-900	K166-900	K166-900	K166-900	K166-900	1	Release Valve
9	K15-041	K15-041	K15-041	K15-041	K15-041	1	O-Ring*
10	Not Available as Repair Part					1	Base Weldment
11	K16-041	K20-041	K23-041	K27-041	K29-041	1	Rectangular Seal*
12	AJ100-019	AJ100-019	EJ100-014	EJ100-014	KJ100-015	1	Plunger Nut
13	AJ100-023	W40-108	EJ100-012	EJ100-012	KJ100-011	1	Washer
14	AJ100-437	K22-041	K25-041	EJ100-009	K30-041	1	Plunger Cup*
15	AJ100-050	K24-044	K26-044	K512-044	K31-044	1	Plunger Ring
16	K165-900	K165-900	K165-900	K165-900	K165-900	1	Beam w/Link and Piston
17	K30-040	K30-040	K30-040	K30-040	K30-040	1	Piston
18	AJ100-020	AJ100-020	AJ100-020	AJ100-020	AJ100-020	1	Gasket*
19	A8005-006	A8005-006	AJ100-060	AJ100-060	AJ100-060	1	Filler Plug
20	U30X3	U30X3	U30X3	U30X3	U30X3	1	Pump Kit*
21	K38-070	K38-070	K38-070	K26-070	K26-070	1	Handle
22	1-58	1-58	1-58	1-58	1-58	1	Cotter Pin*
23	K87-061	K87-061	K87-061	K87-061	K87-061	1	Base Pin
†24	Jack Oil is Available in Quart, Gallon and 5 Gallon Cans						LX21
†25	-----	-----	-----	-----	AP100-013	1	Gauge Plug
†26	-----	-----	-----	-----	FZ-1630	1	Reducer Bushing
†27	-----	-----	-----	-----	K16-096	1	Swivel Adapter
†28	-----	-----	-----	-----	K4-023	1	Gauge w/Fitting
†29	K895-026	K896-026	K897-026	K898-026	K899-026	1	Model and Caution Decal
30	67-237X	67-239X	67-240X	67-242X	67-245X	1	Repair Kit*
31	820-20171	820-20171	820-20171	820-20171	820-20171		Repair Part Sheet

\*Available individually and in Repair Kits.  
†Item not shown.



### TRI-CITY HYDRAULIC JACK SERVICE

4628 N. Florida Avenue  
Tampa, Florida 33603-3700  
(813) 236-8551

Service parts, warranty, and regular repair service for products are available through a nationwide system of company-owned Factory Service Centers and independently-owned Authorized Service Centers which are carefully selected by the Automotive Product Service Division.

Automotive Product Service Division  
Automotive Service Systems Group  
P.O. Box 7580  
Milwaukee, Wisconsin 53222



APPLIED POWER

INC